

# GREAT DANE <sup>TM</sup>

## GATEWAY

### PARTS CATALOG

#### **GDGW17KAE**

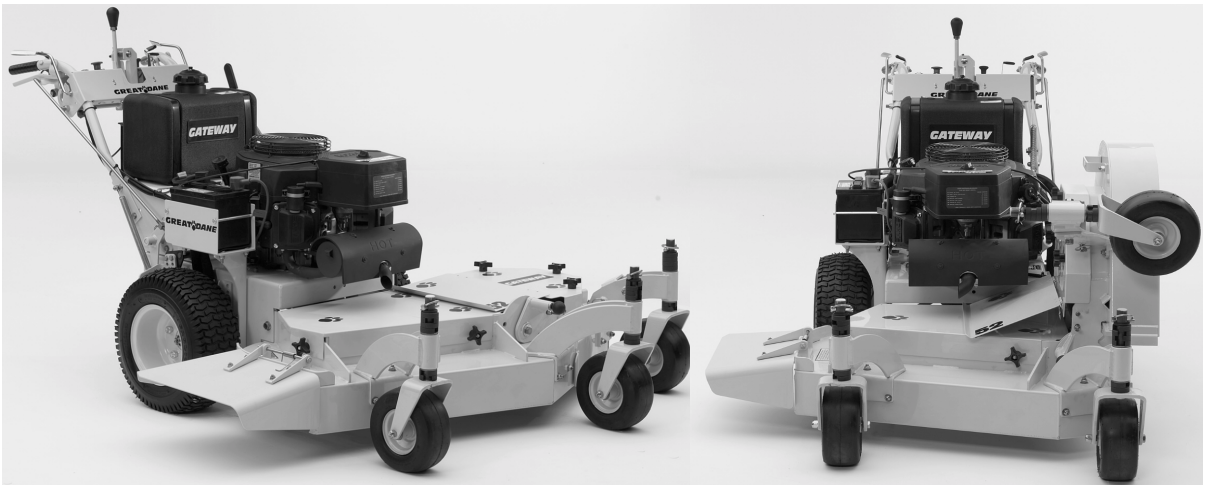
**17HP KAWASAKI ELECTRIC w/52" CUTTING DECK**

SERIAL NUMBERS: 414000 - 414999

#### **GDGW22KHE**

**22HP KOHLER ELECTRIC w/52" CUTTING DECK**

SERIAL NUMBERS: 416000 - 416999



Part Number  
D02-208

Rev. Date: 3-1-02

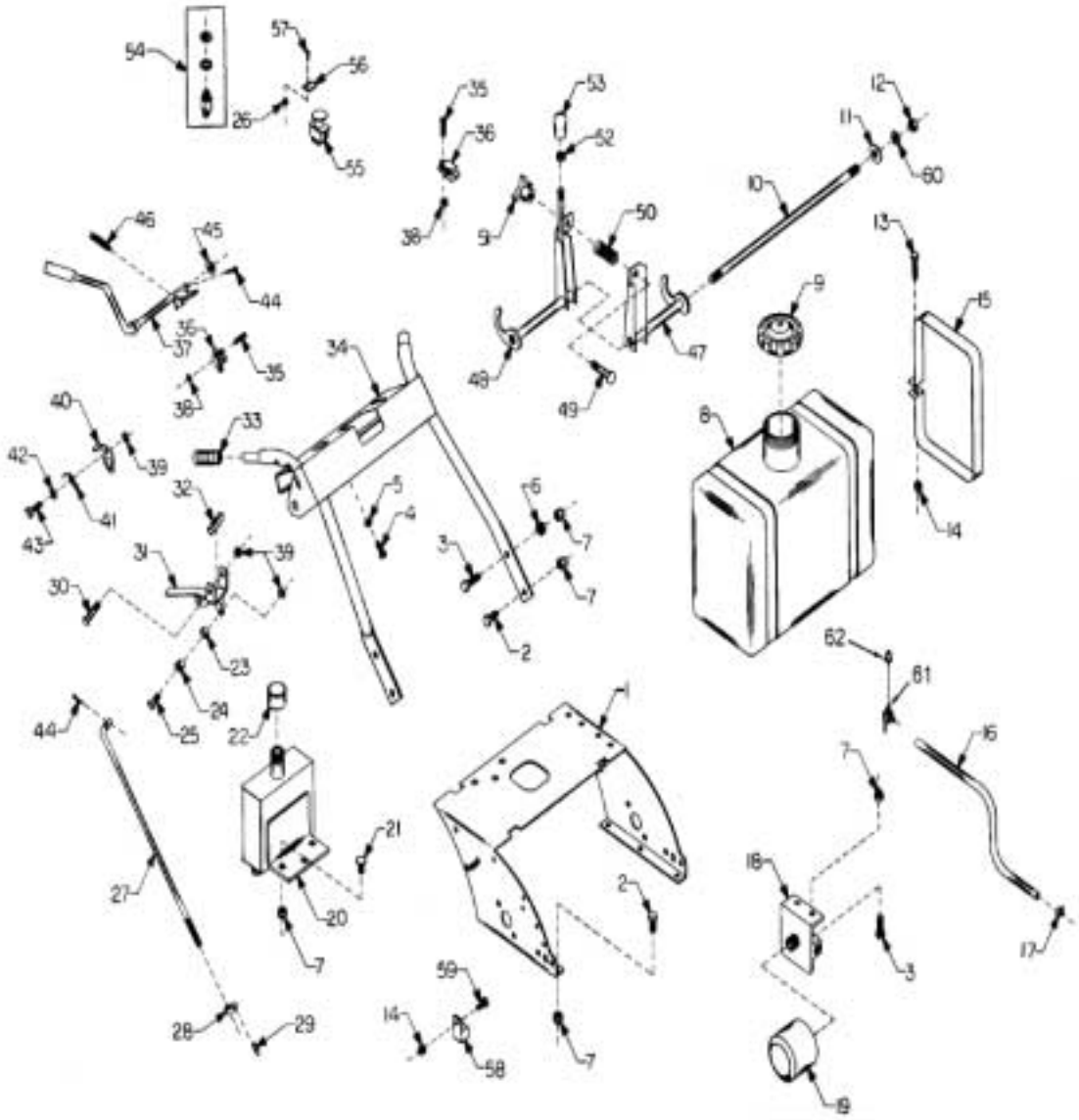
GREAT DANE POWER EQUIPMENT  
4700 New Middle Rd.  
Jeffersonville, IN. 47130 U.S.A.

## Index

### Gateway

	<u>Figure Page</u>	<u>Parts Page</u>
<b>Handle/Related Components</b>	3	4
<b>Traction Deck</b>	5	6
<b>Cutting Deck</b>	7	8
<b>Spindle, Chute, &amp; Caster Assy.</b>	9	10
<b>Engine Components</b>		
<b>Kawasaki Manual/Recoil</b>	11	12
<b>Kawasaki Electric</b>	13	14
<b>Kohler Electric</b>	15	16
<b>Hydraulic System</b>	17	18
<b>Hydraulic System Schematic</b>	19	
<b>Wiring Diagrams</b>		
<b>Kawasaki Manual/Recoil</b>	20	
<b>Kawasaki Electric</b>	21	
<b>Kohler Electric</b>	22	
<b>Decals</b>	23	

## Handle & Related Components



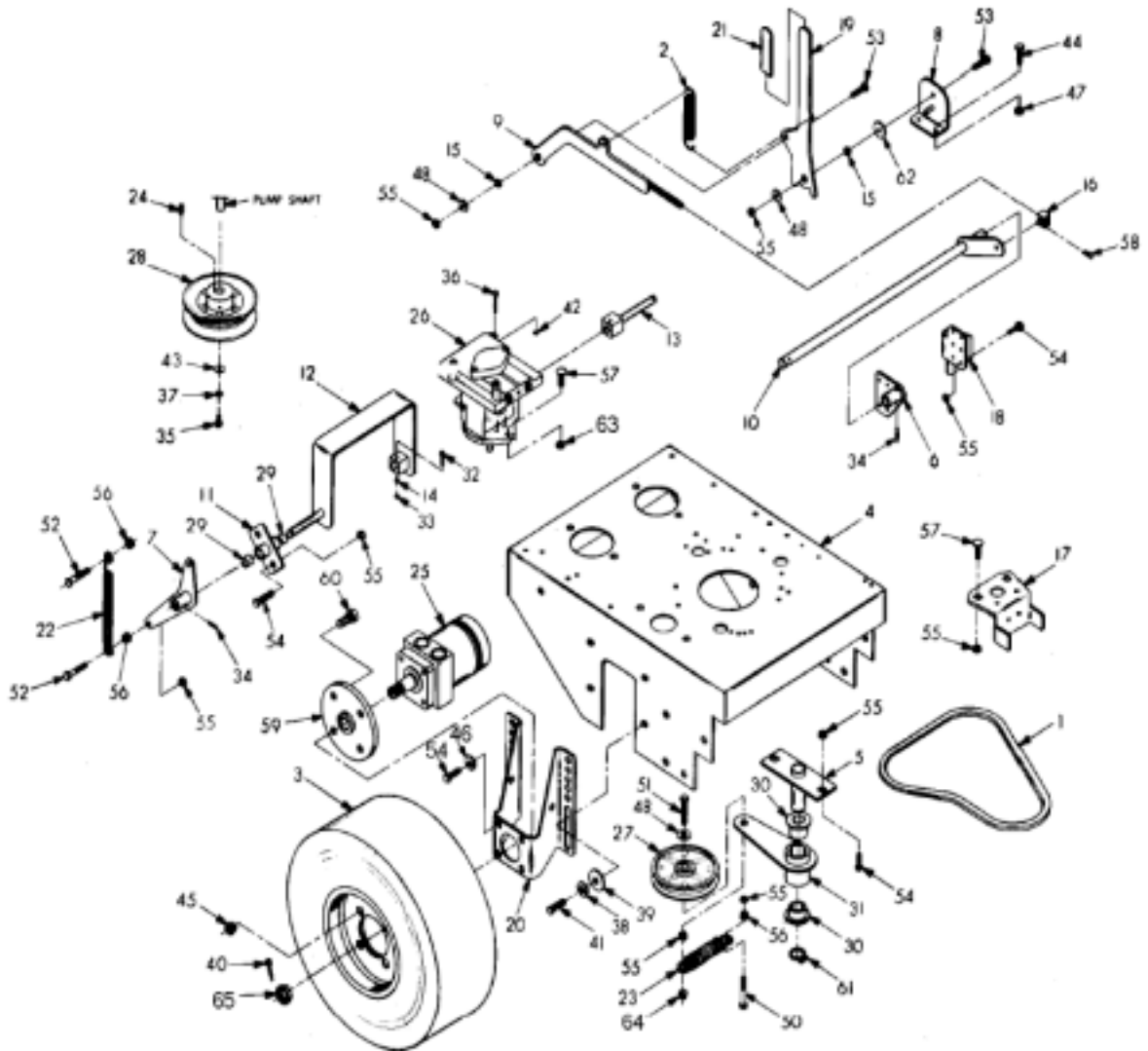


## Handle & Related Components

Ref. No.	Part No.	Description	Qty.
1	D32079	Tank Mount	1
2	D14013	3/8" - 16 X 1" HHCS	8
3	D14015	3/8" - 16 X 1-1/2" HHCS	4
4	D14132	1/4" - 20 X 1-3/4" HHCS	2
5	D24007	1/4" - 20 Hex Nut	2
6	D14009	3/8" - 16 Serrated Flan. Nut	2
7	D14010	3/8" - 16 Nylon Nut	15
8	D38036	Fuel Tank	1
9	D18097	Fuel Tank Cap	1
10	D33032	Pivot Shaft/Control	1
11	D38077	Friction Washer	2
12	D14045	1/2" - 13 Nylon Nut	2
13	D14133	1/4" - 20 X 2" HHCS	2
14	D14044	1/4" - 20 Nylon Nut	3
15	D32024	Strap, Fuel Tank	2
16	D38014	Fuel Line	1
17	D14103	Hose Clamp	2
18	D18075	Oil Filter w/Mount	1
19	D18094	Oil Filter only	1
20	D35048	Oil Reservoir	1
21	D24011	3/8" - 16 X 1" Carriage Bolt	3
22	D18081	Cap, Oil Reservoir	1
23	D38097	Needle Bearing	2
24	D33033	Bearing Insert	2
25	D14147	5/16" - 18 X 1-1/2" HHCS	2
26	D24021	8 - 32 Nylon Nut	2
27	D35069	Control Rod	2
28	D33002	3/8" - 24 Swivel	2
29	D14006	#203 Hair Pin	2
30	D14235	5/16" - 18 X 2-1/2" Carr. Bolt	2
31	D35056	RH. Traction Lever	1
NS-31b	D35057	LH. Traction Lever	1
32	D14232	1/2" X 1-1/2" Roll Pin	2
33	D38080	Handle Grip	2

Ref. No.	Part No.	Description	Qty.
34	D35065	Handle Top	1
35	D14233	10-24X3/4 PHPS	6
36	D38085	Plunger Switch	3
37	D35066	RH, O.P.C.	1
NS-37b	D35067	LH, O.P.C.	1
38	D14124	10 - 24 Nylon Nut	6
39	D14081	5/16" - 18 Nylon Nut	6
40	D32203	RH, Thumb Latch	1
NS-40b	D32204	LH, Thumb Latch	1
41	D38093	RH, Thumb Latch Spring	1
NS-41b	D38094	LH, Thumb Latch Spring	1
42	D33030	Spacer	2
43	D14150	5/16" - 18 X 2-1/4" HHCS	2
44	D14107	3/32" X 1" Cotter Pin	4
45	D14046	3/8" Flat Washer	2
46	D18140	Spring, O.P.C. Lever	2
47	D35049	LH Control	1
48	D35050	RH Control	1
49	D14234	3/8" - 16 X 2-1/2" Carr. Bolt	1
50	D38095	Compression Spring	1
51	D18046	Knob	1
52	D14112	1/2" - 13 Hex Nut	1
53	D28180	Knob	1
54a	D18090	Ignition Switch, Manual Start	1
54b	D18091	Ignition Switch, Elec. Start	1
55	D38005	Blade Switch	1
56	D12106	Switch Tab	2
57	D24020	8 - 32 X 1/2" P.H.C.S.	2
58	D18052	Relay Switch	1
59	D14127	1/4" - 20 X 3/4" HHCS	1
60	D14004	1/2" SAE Flat Washer	2
61	D18098	Shut-Off Valve	1
62	D18144	Grommet, Fuel Tank	1

## Traction Deck



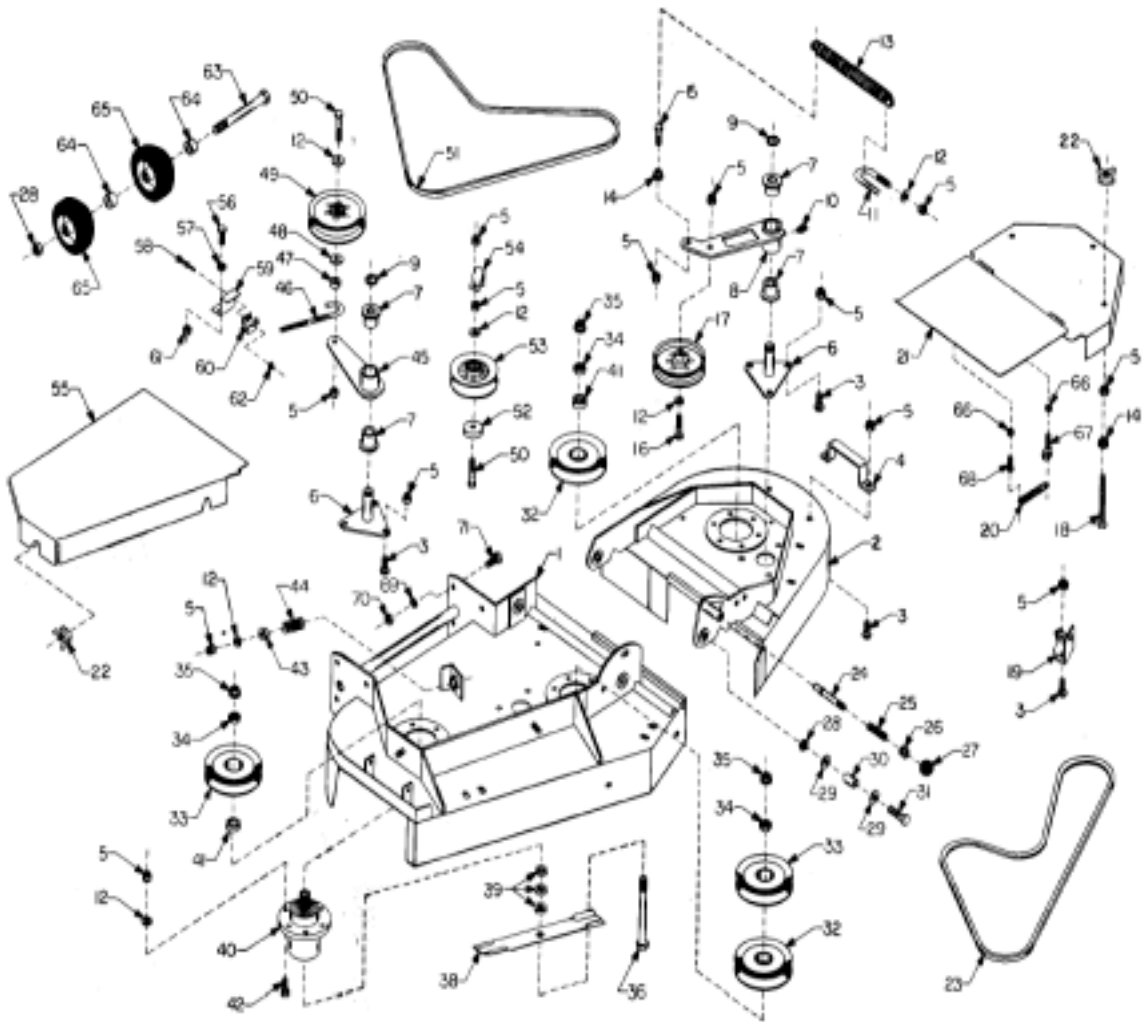


## Traction Deck

Ref. No.	Part No.	Description	Qty.
1	D38132	Engine to Pump Belt	1
2	D38079	Spring, Rear Brake Return	1
3	D38038	Tire & Rim, 16 - 6.50 X 8	2
4	D35108	Rear Power Deck	1
5	D35100	Idler Base Weld	1
6	D35068	Brake Control, RH	1
NS-6b	D35053	Brake Control, LH	1
7	D35058	PG RH Drive Arm	1
	Ref. No. 7 is shown reversed		
NS-7b	D35059	PG LH Drive Arm	1
8	D35055	Brake Mount	1
9	D35054	Brake Bar	1
10	D35052	Brake Shaft	1
11	D35047	Shaft Support	2
12	D35046	RH Pump Mount	1
13	D35045	LH Pump Mount	1
14	D33024	Tube	2
15	D33023	Tube	2
16	D33002	3/8" - 24 Swivel	1
17	D32149	Clutch Bracket	1
18	D32097	LH Brake Pad	1
NS-18b	D32096	RH Brake Pad	1
19	D32090	Brake Lever	1
20a	D12062	Motor Mount (8-1/4" Long)	2
20b	D32051	Motor Mount (9-1/4" Long)	2
21	D18079	Grip	1
22	D18072	Spring	2
23	D18071	Idler Spring	1
24	D18067	Key, m5 X m28	2
25	D18066	Wheel Motor w/axle nut	2
26	D18051	Hydro Pump	2
27	D18044	Pulley	1
28	D18043	Pulley, Hydro Pump	2
29	D18013	Bushing, Input Control Shaft	2
30	D18003	Bushing, Pump Idler Arm	2
31	D15032	Idler Arm, Pump	1

Ref. No.	Part No.	Description	Qty.
32	D14241	10-32X1-1/4 SHCS	2
33	D14240	10-32 Nylon Nut	2
34	D14231	Spring Pin, 5/32"	4
35	D14213	Pump Bolt	2
36	D14212	Clevis Pin, 1/4"	2
37	D14210	1/4" Split Lock Washer	2
38	D14208	7/16" Split Lock Washer	8
39	D14207	7/16" Flat Washer	4
40	D14194	Cotter Pin, 1/8"	2
41	D14171	7/16" X 1" HHCS	8
42	D14166	1/4" Pal Nut Retainer	2
43	D14160	1/4" Heavy Washer	2
44	D14146	5/16" - 18 X 1-1/4" HHCS	2
45	D14192	Lug Nut	8
46	D14121	3/8" Split Lock Washer	8
47	D14081	5/16" - 18 Nylon Nut	2
48	D14046	3/8" Flat Washer	4
49	D14044	1/4" - 20 Nylon Nut	1
50	D14021	3/8" - 16 X 3" HHCS	1
51	D14019	3/8" - 16 X 2-1/2" HHCS	1
52	D14015	3/8" - 16 X 1-1/2" HHCS	2
53	D14014	3/8" - 16 X 1-1/4" HHCS	2
54	D14013	3/8" - 16 X 1" HHCS	18
55	D14010	3/8" - 16 Nylon Nut	19
56	D14009	3/8" - 16 Serr. Flange Nut	7
57	D24011	3/8" - 16 X 1" Carriage Bolt	6
58	D14006	#203 Hair Pin	1
59	D18110	Wheel Hub w/Studs	2
60	D14215	Stud	8
61	D14104	1" External Retaining Ring	1
62	D14246	3/8" SAE Flat Washer	1
63	D24013	3/8" Top Lock Nut	4
64	D14269	3/8" Center Lock Nut	1
65	D14193	Castle Nut, Wheel Motor	2

## 52" Gateway Deck





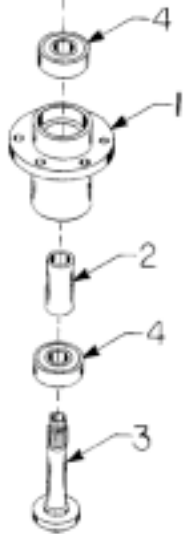
## 52" Gateway Deck

Ref. No.	Part No.	Description	Qty.
1	D35082	RH Deck Weldment	1
2	D35081	LH Deck Weldment	1
3	D24011	3/8" - 16 X 1" Carriage Bolt	8
4	D32178	Handle	1
5	D14010	3/8" - 16 Nylon Nut	33
6	D15027	Idler Mount Weldment	2
7	D18003	Bushing	1
8	D35101	Idler Arm	1
9	D14104	1" Retaining Ring	2
10	D18205	Zerk Fitting - Press-in	1
11	D13322	U - bolt	1
12	D14046	3/8" Flat Washer	23
13	D28025	Spring	1
14	D14009	3/8" - 16 Serr. Flange Nut	4
15	D14015	3/8" - 16 X 1-1/2" HHCS	1
16	D14017	3/8" - 16 X 2" HHCS	1
17	D28050	Idler Pulley	1
18	D14237	3/8" - 16 X 5" Tap Bolt	3
19	D35103	Belt Guide	1
20	D38135	Hood Spring	1
21	D35110	LH Hood	1
22	D18046	Knob	5
23	D38131	Belt, Blade to Blade	1
24	D35091	Shaft, Deck Lock	1
25	D38129	Latch Spring	1
26	D33050	Retainer	1
27	D38141	Ball Knob	1
28	D24014	1/2" - 13 Center Lock Nut	3
29	D14248	1/2" Machine Bushing	4
30	D33064	Bushing	2
31	D14056	1/2" - 13 X 1-3/4" HHCS	2
32	D18083	Pulley, Short Hub	2
33	D18084	Pulley, Tall Hub	2
34	D13055	7/8" Hex Nut	3
35	D14282	5/8" - 18 Nut	3

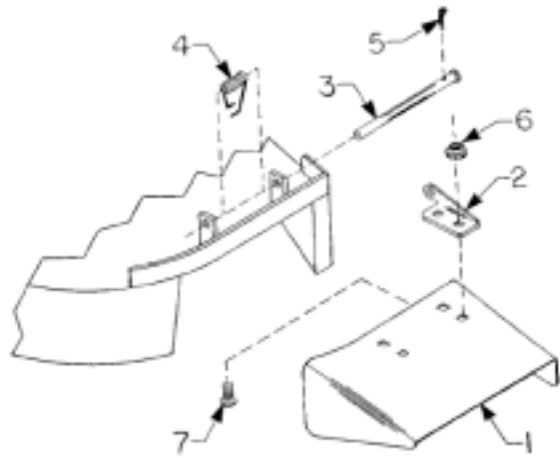
Ref. No.	Part No.	Description	Qty.
36	D14241	5/8" - 18 X 7-1/2" HHCS	3
38	D18037	Blade, 18"	3
39	D18055	Spacer	9
40	D18030	Spindle Assembly	3
41	D13024	Spacer, Pulley	2
42	D14014	3/8" - 16 X 1-1/4" HHCS	18
43	D33062	Spring Keeper	1
44	D38128	Spring	1
45	D15032	Idler Arm	1
46	D23040	J-Bolt	1
47	D13031	Bushing	1
48	D14122	Flat Washer	1
49	D18032	Idler Pulley	1
50	D14019	3/8" - 16 X 2-1/2" HHCS	2
51	D38130	Belt, Engine to Blade	1
52	D33063	Bushing	1
53	D18031	Idler Pulley	1
54	D32195	Belt Guide	1
55	D35109	RH Hood	1
56	D14145	5/16" - 18 X 1" HHCS	2
57	D14114	5/16" Flat Washer	2
58	D14233	10 - 24 X 3/4 PHPS	2
59	D32196	Switch Mount	1
60	D18038	Switch	1
61	D14081	5/16" - 18 Nylon Nut	2
62	D14124	10 - 24 Nylon Nut	2
63	D14073	1/2" - 13 X 8" HHCS	1
64	D23024	Roller Spacer	2
65	D18070	Roller	2
66	D24007	1/4" - 20 Hex Nut	2
67	D34011	1/4" - 20 X 2" Eye Bolt	1
68	D14129	1/4" - 20 X 2" HHCS	1
69	D14111	1/2" - 13 Split Lock Washer	8
70	D14112	1/2" - 13 Hex Nut	8
71	D14110	1/2" - 13 1-1/4" Flange Bolt	8



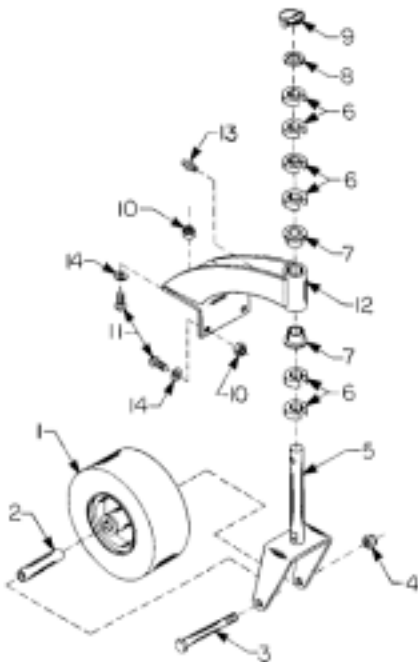
## Spindle Assembly



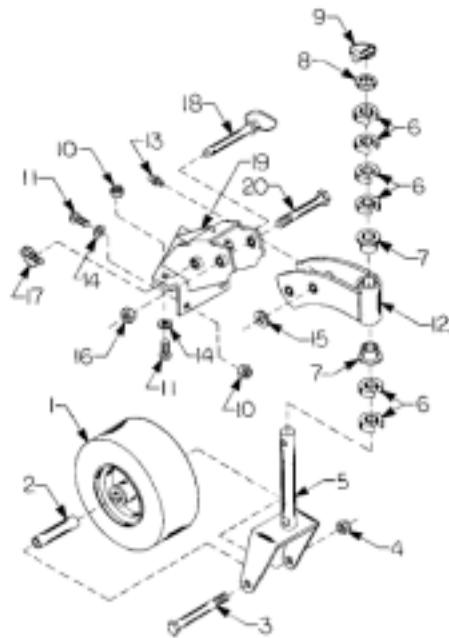
## Chute Deflector



## Caster Assembly



## Caster Assembly (Adjustable)



## *Spindle Assembly*

Ref. No.	Part No.	Description	Qty.
1	D11000	Spindle Housing Casting	1
2	D18033	Bearing Spacer	1
3	D18048	Spindle Shaft	1
4	D18045	Bearing, #6305	2

## *Discharge Chute Deflector*

Ref. No.	Part No.	Description	Qty.
1	D12007	Chute Deflector	1
2	D12006	Hinge, Chute Deflector	2
3	D18060	Rod, Chute Pivot	1
4	D18077	Chute Spring	1
5	D14107	3/32" X 1" Cotter Pin	1
6	D14205	5/16" - 18 Flange Nut	4
7	D14113	5/16" - 18 X 3/4" Carr. Bolt	4

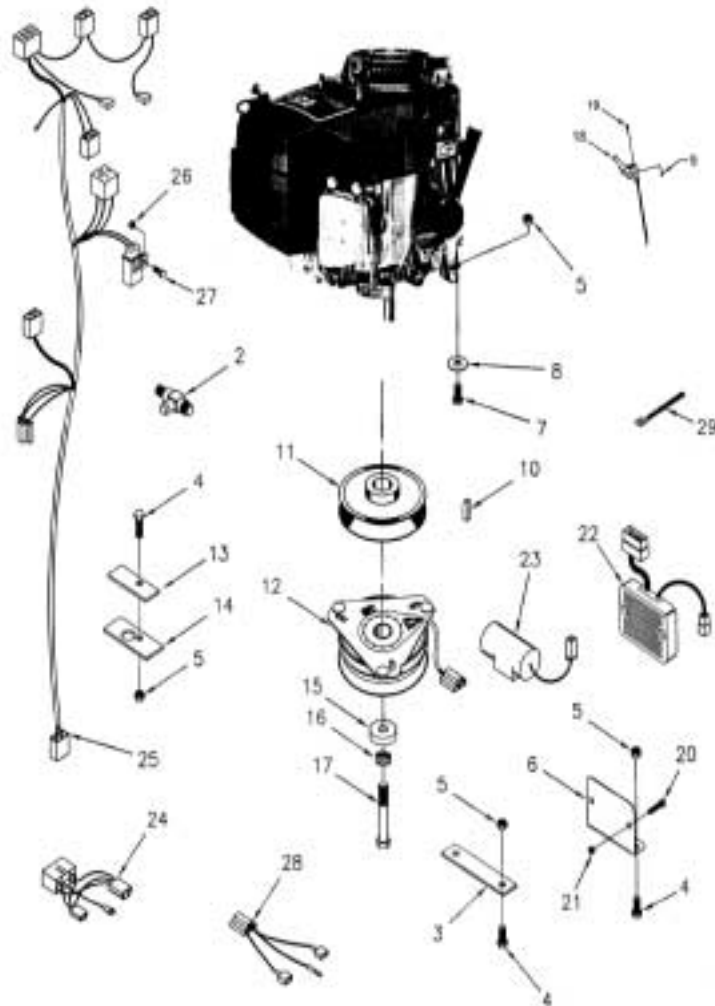
## *Caster Assembly*

Ref. No.	Part No.	Description	Qty.
1	D38034	Wheel Assy. w/Bearings	1
2	D13003	Caster Axle Tube	1
3	D14068	1/2" - 13 X 5-1/2" HHCS	1
4	D14045	1/2" - 13 Nylon Nut	1
5	D15030	Caster Yoke	1
6	D18002	Caster Spacer	6
7	D18076	Caster Bushing	2
8	D13008	Spacer/Bushing	1
9	D18057	Caster Lynch Pin	1
10	D24013	3/8" - 16 Coneloc Nut	4
11	D24011	3/8" - 16 X 1" Carriage Bolt	4
12	D15007	Caster Support	1
13	D18058	1/4" - 28 Zerk Fitting	1
14	D14046	3/8" Flat Washer	4
NS-15	D18089	Roller Bearing, Tapered	1

## *Adjustable Caster Assembly*

Ref. No.	Part No.	Description	Qty.
1	D38034	Wheel Assy. w/Bearings	1
2	D13003	Caster Axle Tube	1
3	D14068	1/2" - 13 X 5-1/2" HHCS	1
4	D14045	1/2" - 13 Nylon Nut	1
5	D15030	Caster Yoke	1
6	D18002	Caster Spacer	6
7	D18076	Caster Bushing	2
8	D13008	Spacer/Bushing	1
9	D18057	Caster Lynch Pin	1
10	D14010	3/8" - 16 Coneloc Nut	4
11	D24011	3/8" - 16 X 1" Carriage Bolt	4
12	D35099	Caster Arm	1
13	D18058	1/4" - 28 Zerk Fitting	1
14	D14046	3/8" Flat Washer	4
15	D14248	1/2" Machine Bushing	2
16	D24014	1/2" - 13 Center Lock Nut	1
17	D38133	Lynch Pin	1
18	D38127	Hitch Pin	1
19	D35098	Caster Support Base	1
20	D14066	1/2" - 13 X 4-1/2" HHCS	1
NS-21	D18089	Roller Bearing Tapered	1

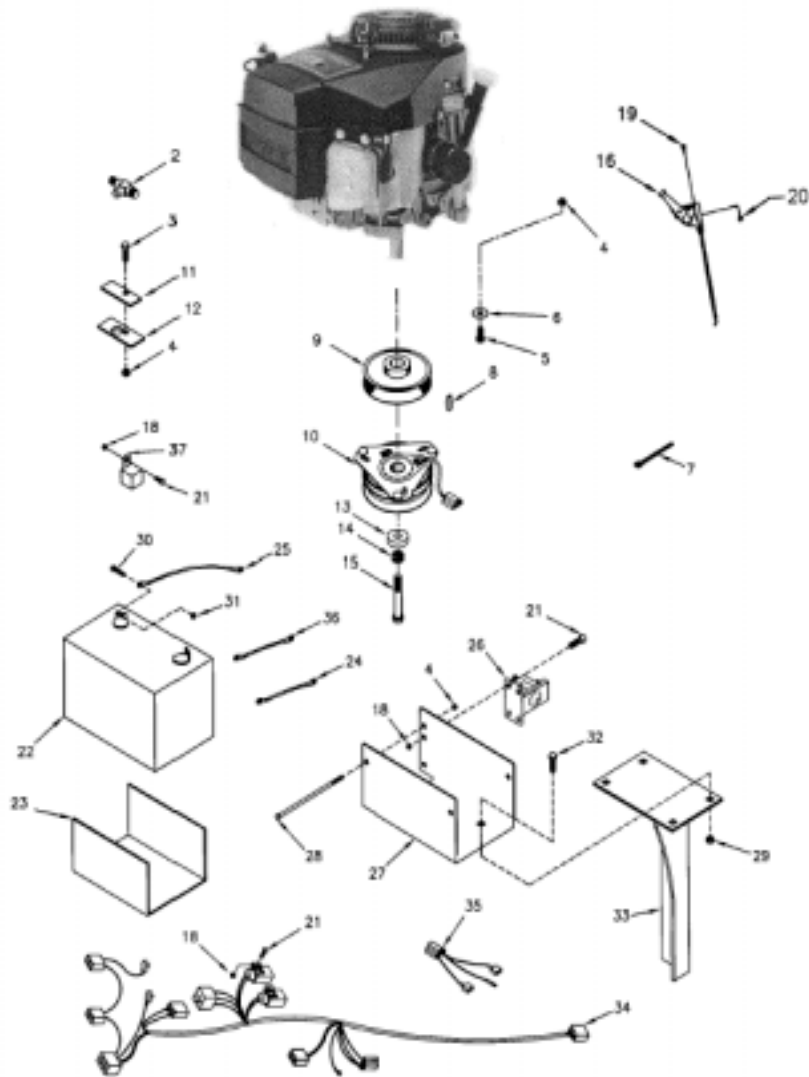
## *Kawasaki Engine Components Manual Start*



*Kawasaki Engine  
Components Manual Start*

Ref. No.	Part No.	Description	Qty.
1		Engine - 17 H.P. Kawasaki	1
2	D28123	Oil Drain Valve	1
3	D32070	Capacitor Mount	1
4	D14145	5/16" - 18 X 1" HHCS	6
5	D14081	5/16" - 18 Nylon Nut	9
6	D32071	Module Mount	1
7	D14147	5/16" - 18 X 1-1/2" HHCS	4
8	D14206	5/16" Split Lock Washer	4
9	D24021	#8 Nylon Nut	2
10	D18145	Key Sq. - 1/4" Taper	1
11	D18085	Pulley, 4.5" w/Set Screws	1
12	D18000	Elec. Clutch	1
13	D12043	Support	1
14	D18068	Bumper	1
15	D18056	Spacer	1
16	D14208	7/16" Split Lock Washer	1
17	D24023	7/16" - 20 X 3" HHCS	1
18	D38028	Throttle	1
19	D24020	#8 X 1/2" PHMS	2
20	D14131	1/4" - 20 X 1-1/2" HHCS	2
21	D14044	1/4" - 20 Nylon Nut	2
22	D38051	Elec. Module	1
23	D38050	Elec. Capacitor	1
24	D38027	Pigtail	1
25	D38123	GW Kaw. Manual Harness	1
26	D14216	10 - 24 X 5/8" SPS	1
27	D14124	11 - 24 Nylon Nut	1
28	D18343	Pigtail (small)	1
29	D28160	Wire Tie	6

## Kawasaki Engine Components Electric Start

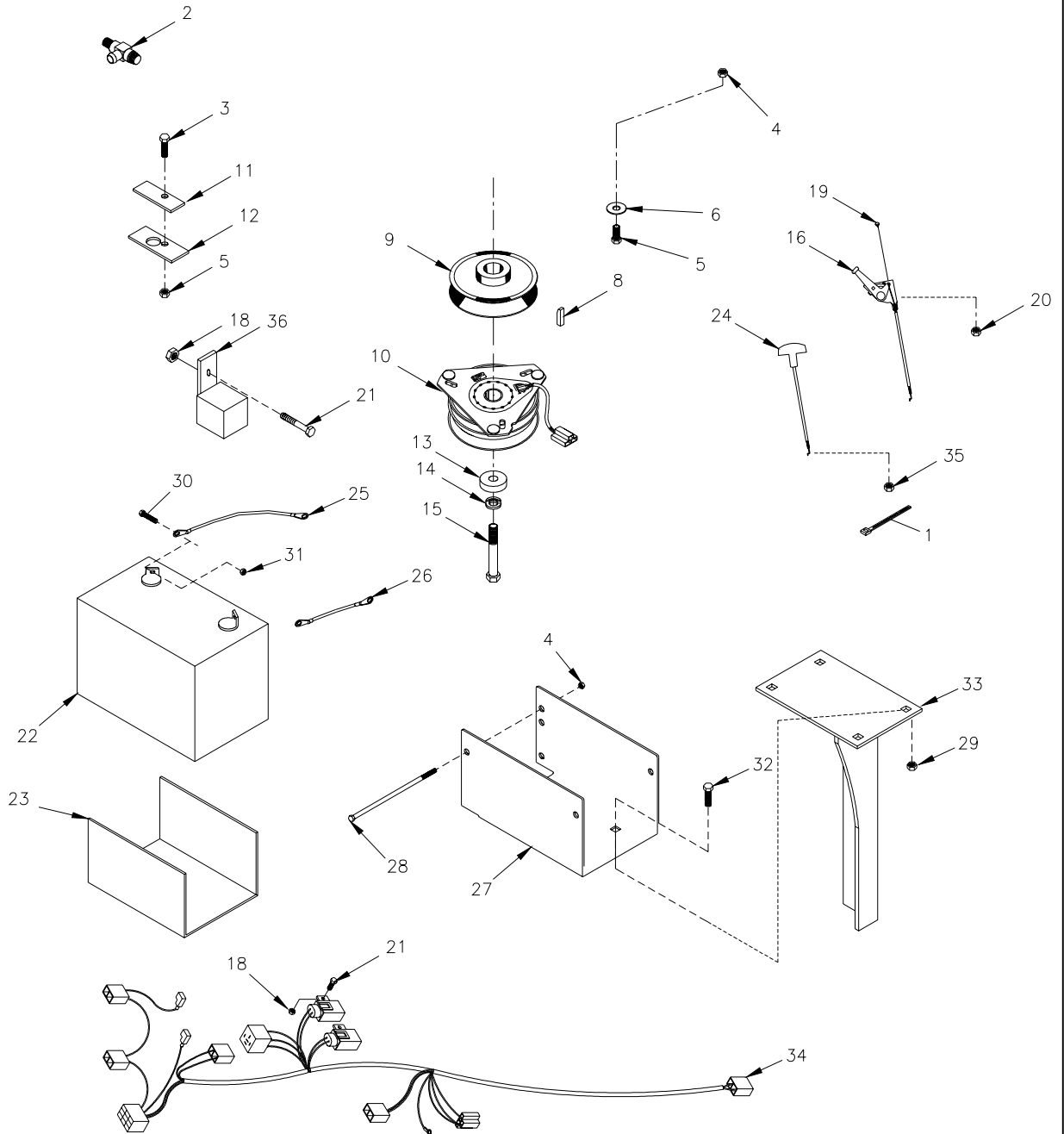




*Kawasaki Engine  
Components Electric Start*

Ref. No.	Part No.	Description	Qty.
1		Engine - Kawasaki Electric	1
2	D28123	Oil Drain Valve	1
3	D14145	5/16" - 18 X 1" HHCS	1
4	D14081	5/16" - 18 Nylon Nut	7
5	D14147	5/16" - 18 X 1-1/2" HHCS	4
6	D14206	5/16" Split Lock Washer	4
7	D28160	Wire Tie	1
8	D18145	Key Sq. - 1/4" Taper	1
9	D18085	Pulley, 4.5" w/Set Screws	1
10	D18000	Elec. Clutch	1
11	D12043	Support	1
12	D18068	Bumper	1
13	D18056	Spacer	1
14	D14208	7/16" Split Lock Washer	1
15	D24023	7/16" - 20 X 3" HHCS	1
16	D38028	Throttle	1
17	D14127	1/4" - 20 X 3/4" HHCS	2
18	D14044	1/4" - 20 Nylon Nut	2
19	D24020	#8/32" X 1/2" PHMS	2
20	D24021	#8 Nylon Nut	2
21	D14129	1/4" - 20 X 1" HHCS	2
22	D18169	Battery	1
23	D28159	Rubber Strip for Battery	1
24	D38143	6" Neg. Battery Cable	1
25	D28118	11" Pos. Battery Cable	1
26	D28158	Solenoid	1
27	D32210	Battery Tray	1
28	D14158	5/16" - 18 X 6" HHCS	2
29	D14010	3/8" - 16 Nylon Nut	4
30	D14144	5/16" - 18 X 3/4" HHCS	2
31	D14205	5/16" - 18 Flange Nut	2
32	D24011	3/8" - 16 X 1" Carriage Bolt	4
33	D35111	Battery Mount Bracket	1
34	D38124	Kaw. Elec. Wiring Harness	1
35	D28134	Kaw. Pigtail	1
36	D28117	6" Pos. Battery Cable	1
37	D18052	Relay Switch	2

## Kohler Engine Components Electric Start



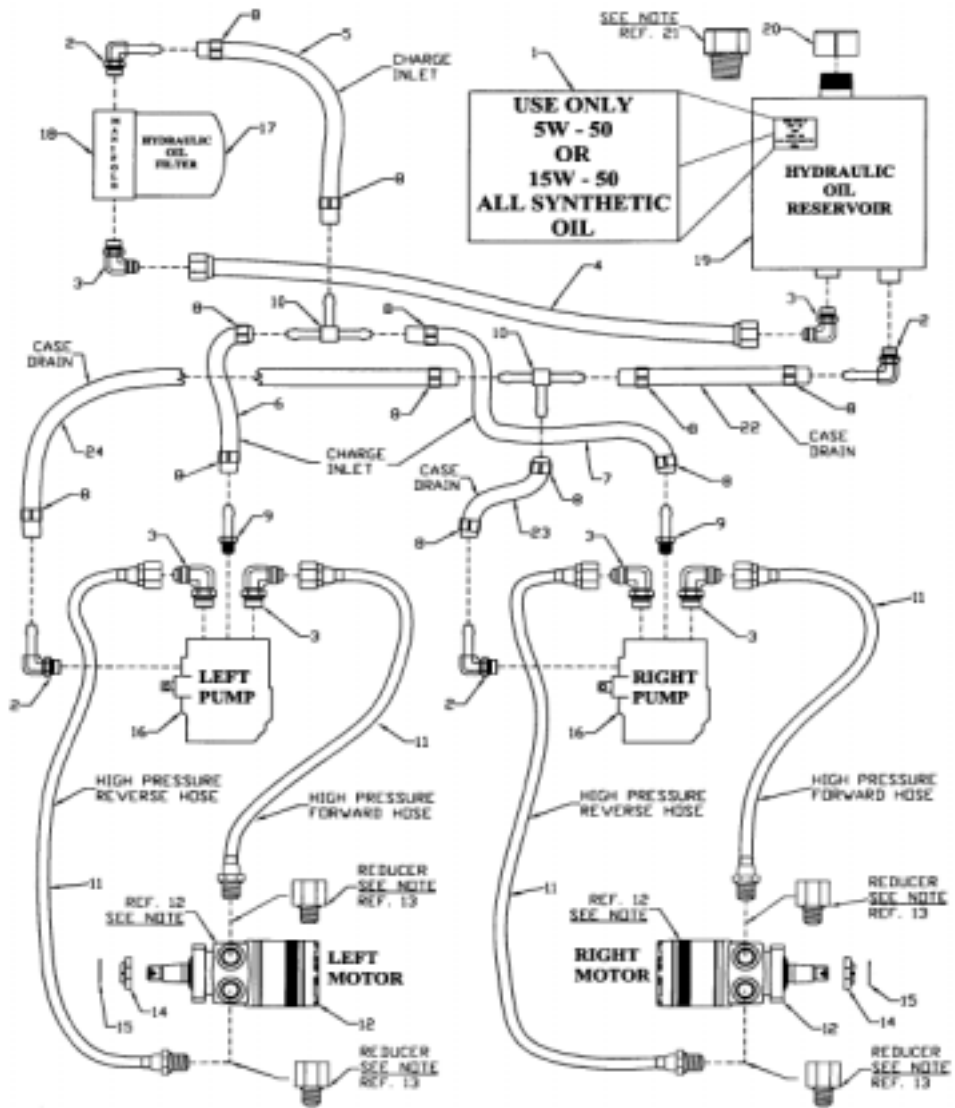


*Kohler Engine Components*  
*Electric Start*

Ref. No.	Part No.	Description	Qty.
1	D28160	Wire Tie	1
2	D28123	Oil Drain Valve	1
3	D14145	5/16" - 18 X 1" HHCS	1
4	D14081	5/16" - 18 Nylon Nut	7
5	D14147	5/16" - 18 X 1-1/2" HHCS	4
6	D14206	5/16" Split Lock Washer	4
8	D18145	Key Sq. - 1/4" Taper	1
9	D18085	Pulley, 4.5" w/Set Screws	1
10	D18000	Elec. Clutch	1
11	D12043	Support	1
12	D18068	Bumper	1
13	D18056	Spacer	1
14	D14208	7/16" Split Lock Washer	1
15	D24022	7/16" - 20 X 2 1/2" HHCS	1
16	D38028	Throttle	1
18	D14044	1/4" - 20 Nylon Nut	2
19	D24020	#8/32" X 1/2" PHMS	2
20	D24021	#8 Nylon Nut	2
21	D14129	1/4" - 20 X 1" HHCS	2
22	D18169	Battery	1
23	D28159	Rubber Strip for Battery	1
24	D38146	Choke Cable	1
25	D28118	11" Pos. Battery Cable	1
26	D28119	14" Neg. Battery Cable	1
27	D32210	Battery Tray	1
28	D14158	5/16" - 18 X 6" HHCS	2
29	D14010	3/8" - 16 Nylon Nut	4
30	D14144	5/16" - 18 X 3/4" HHCS	2
31	D14205	5/16" - 18 Flange Nut	2
32	D24011	3/8" - 16 X 1" Carriage Bolt	4
33	D35112	Battery Mount Bracket	1
34	D38125	Koh. Elec. Wiring Harness	1
35	D14116	3/8" - 24 Nylon Nut	1
36	D18052	Relay Switch	2



## Hydraulic System

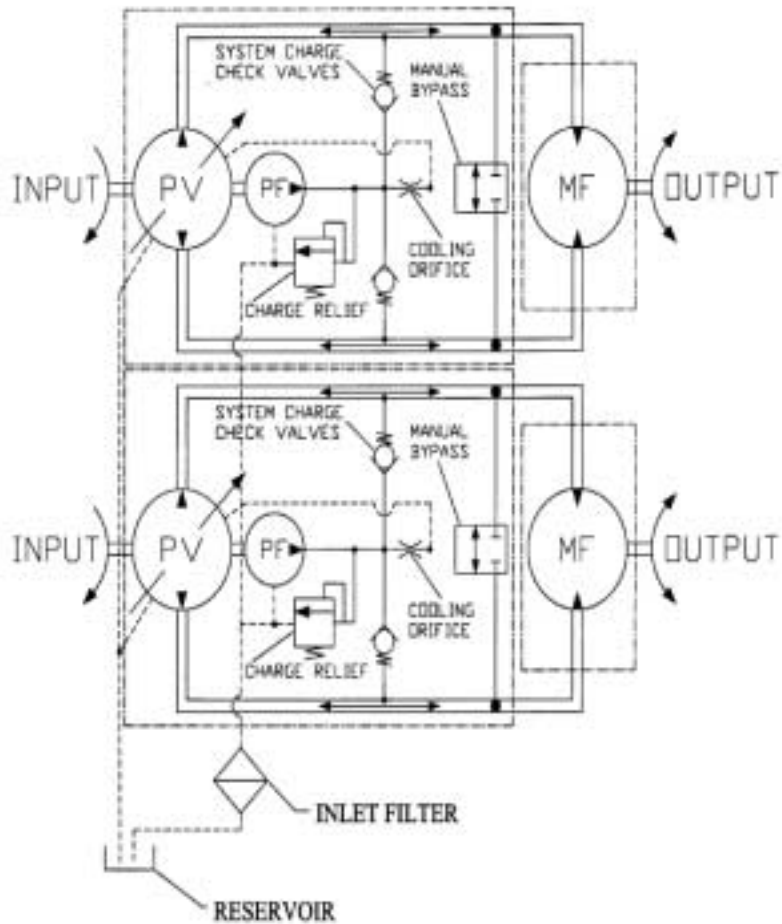




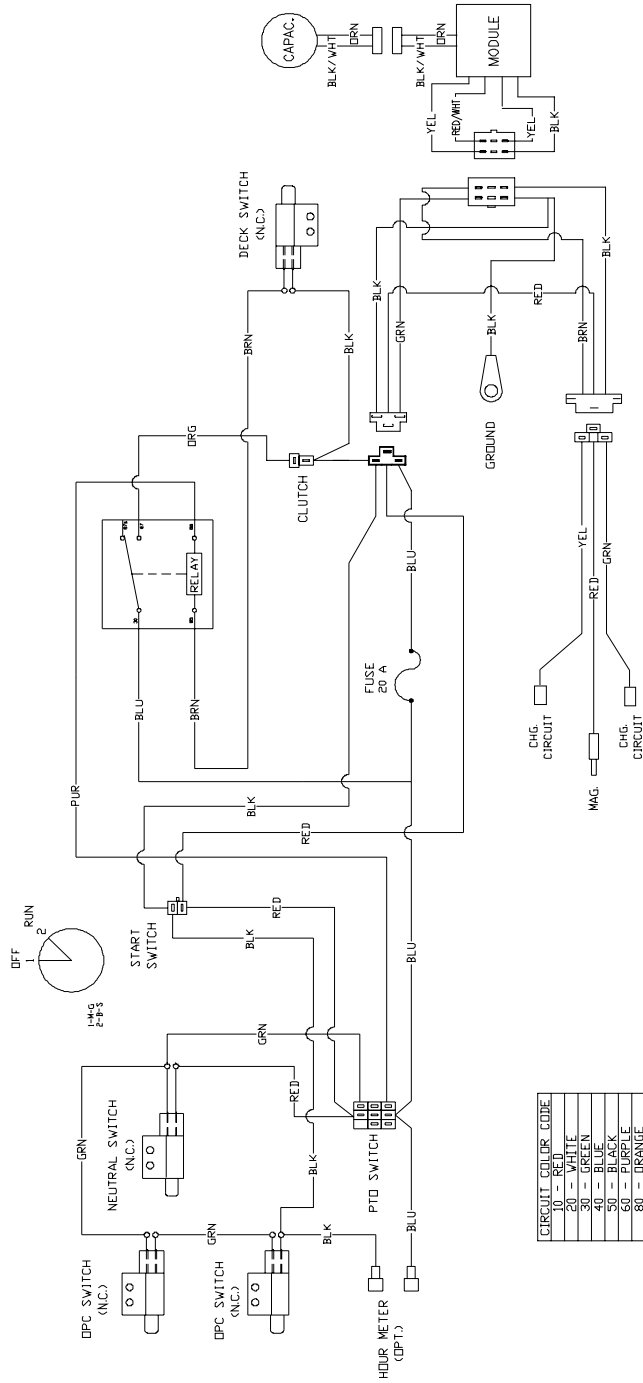
## Hydraulic System

Ref. No.	Part No.	Description	Qty.
1	D18023	Decal, Hydraulic Oil	1
2	D24028	3/8" - 90 Degree Fitting w/O-Ring	4
3	D14196	90 Degree Fitting w/O-Ring	6
4	D18216	1/2" Low Pressure Hose	1
5	D38147	3/8" Hose (17" Charge Inlet)	1
6	D38148	3/8" Hose (7-3/4" Charge Inlet)	1
7	D38148	3/8" Hose (7-3/4" Charge Inlet)	1
8	D18379	Hose Clamp	12
9	D24027	Straight Fitting w/O-Ring	2
10	D28079	3/8" T-Fitting	2
11	D38020	High Pressure Hose	4
12a	D18066	LH & RH Wheel Motors / MF10	2
12b	D18311	LH & RH Wheel Motors / MF12 (Current Motor)	2
13	D14270	Reducer Fitting w/O-Ring, 10 to 08, for use w/MF12 Wheel Motors to Hoses	4
14	D14193	Castle Nut, for Wheel Motor	2
15	D14194	Cotter Pin, 1/8"	2
16	D18051	Hydro Pump, BDP-10L	2
17	D18094	Hydro Oil Filter	1
18	D28059	Hydro Oil Filter Assembly	1
19	D35048	Oil Reservoir	1
20	D18081	Oil Reservoir Cap, Steel-Int. Threads	1
21	D18333	Oil Reservoir Cap, Plastic-Ext. Threads	1
22	D38149	3/8" Hose (9-3/8" Case Return)	1
23	D38150	3/8" Hose (6-1/4" Case Return)	1
24	D38151	3/8" Hose (10-1/4" Case Return)	1

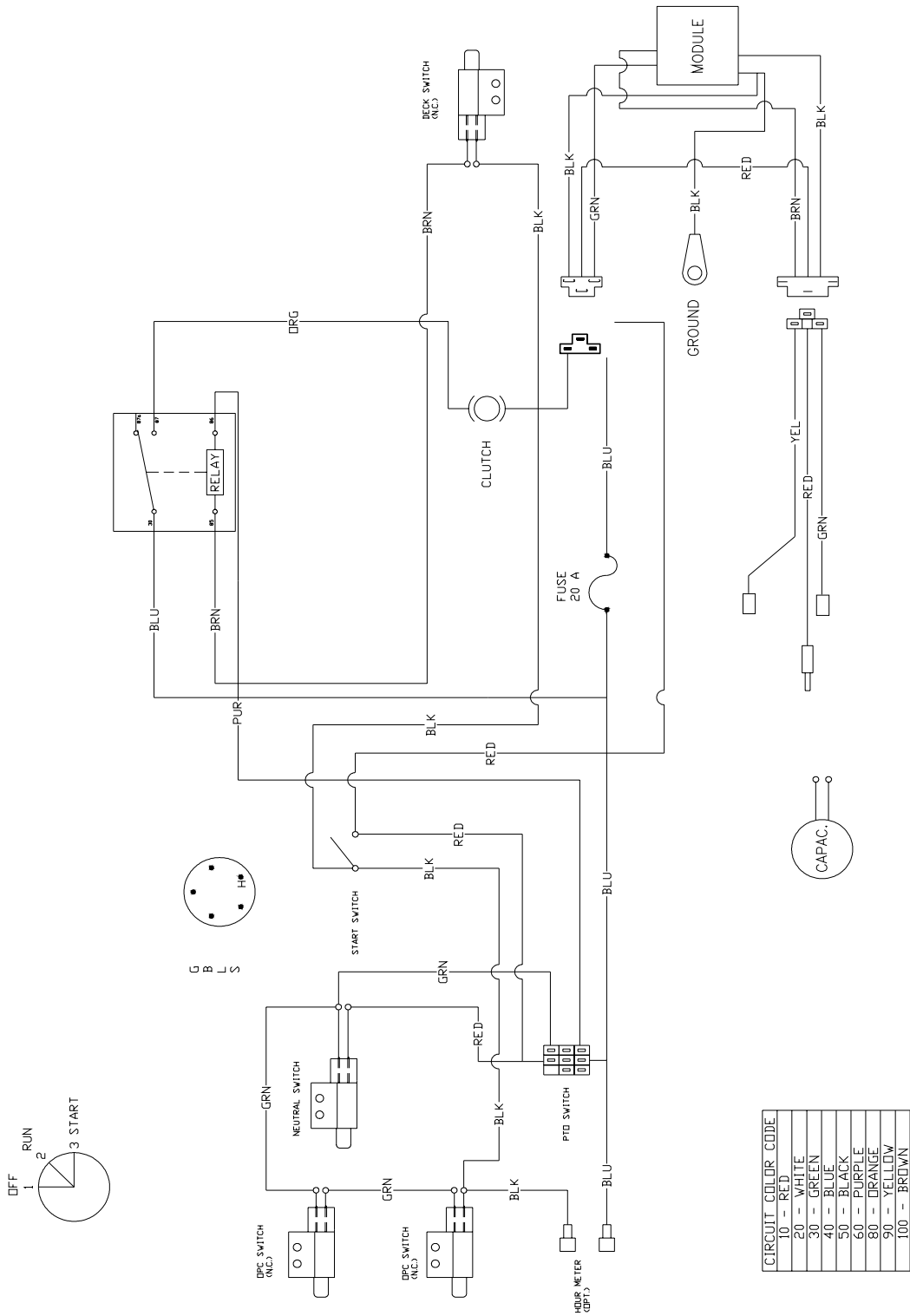
## Super Surfer Hydraulics



## Kawasaki Recoil Wiring



## Kawasaki Electric Wiring



**Kohler Elec. Wiring**  
**Diagram**

**Currently Not  
Available**

## GATEWAY DECALS

# 52

D18028



D18024



D38117



D18026



D28045



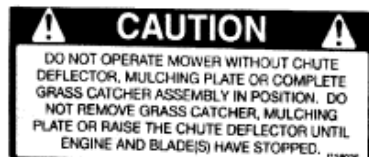
D18021



D28047



D38119



D18025

# GREAT DANE

D38115

# GREAT DANE

D18027