



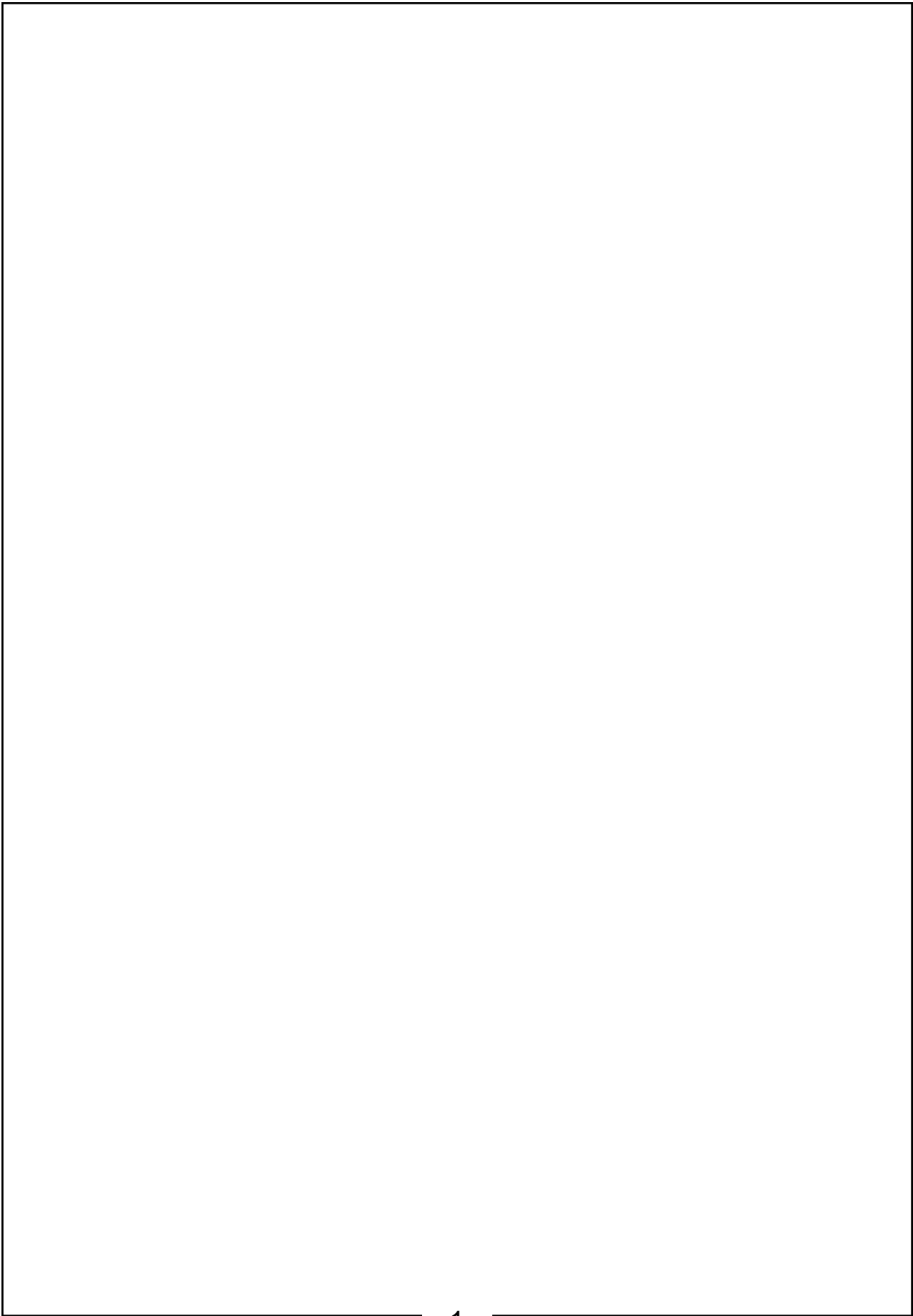
# Commercial Series CL-125, CL-130, and CL-136



## Parts Manual

Locke Turf, Inc.

307 Highway 52E • Opp, Alabama 36467 • 334/493-1300



# MODELS 125, 130 and 136

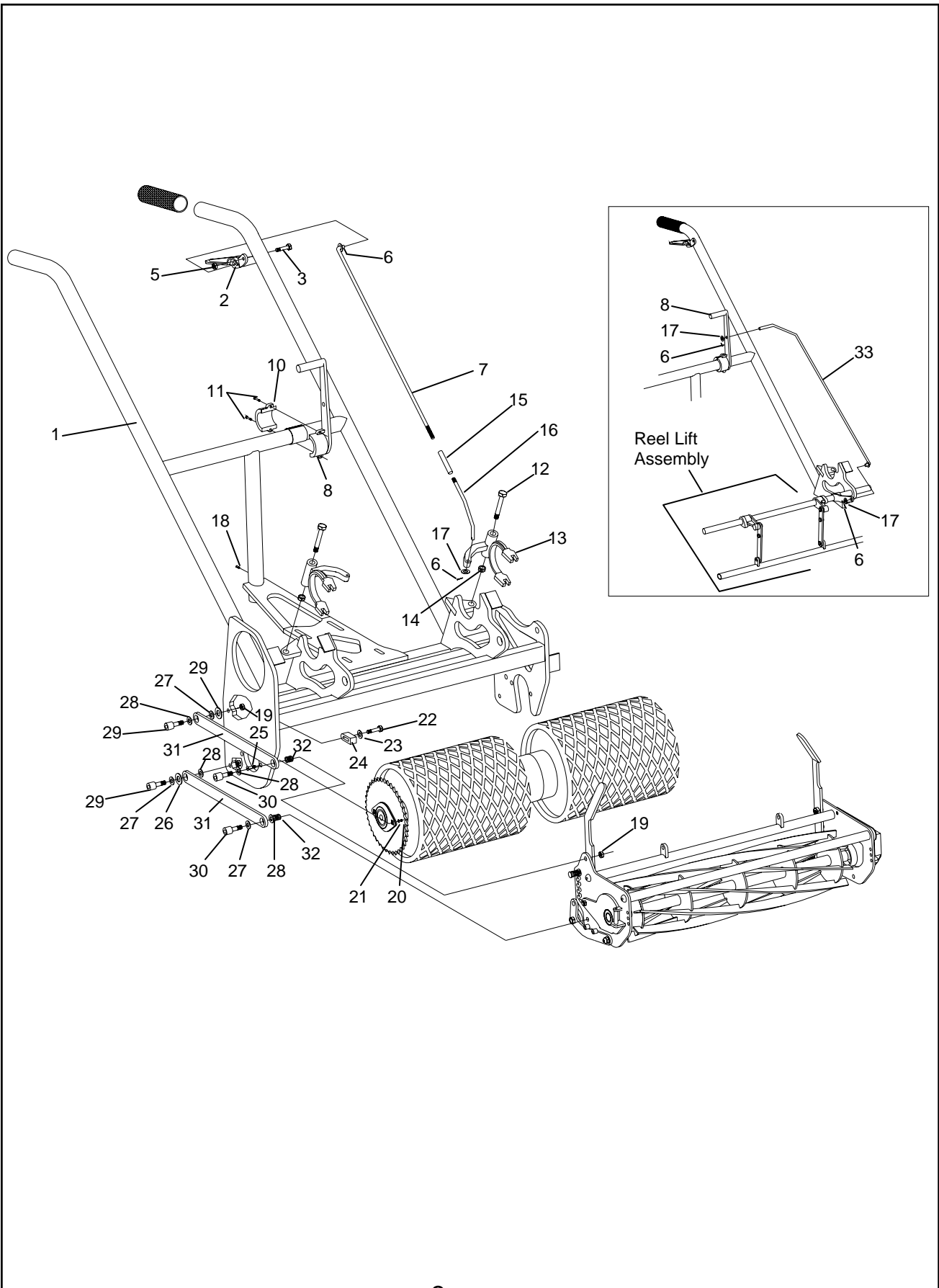
## Table of Contents

<b>CONTENTS</b>	<b>PAGE</b>
Frame Assembly - Right Side	3-4
Frame Assembly - Left Side	5-6
Reel Adjuster	7
Reel Assembly	8
Verti-cutter Head Assembly	10
Clutch Shaft Assembly	11
Drive Roller Assembly	12
Caster Wheel Assembly	13
Reel Lift Shaft Assembly - Model 125	14
Reel Lift Shaft Assembly - Model 130	15
Reel Lift Shaft Assembly - Model 136	16
Front Roller Assembly (Optional)	17
Grooved Roller Assembly (Optional)	18
Decals and Shields	19
Back-lapping (Optional)	20
Sulky Attachment (Optional)	22

HHCS - Hex Head Cap screw

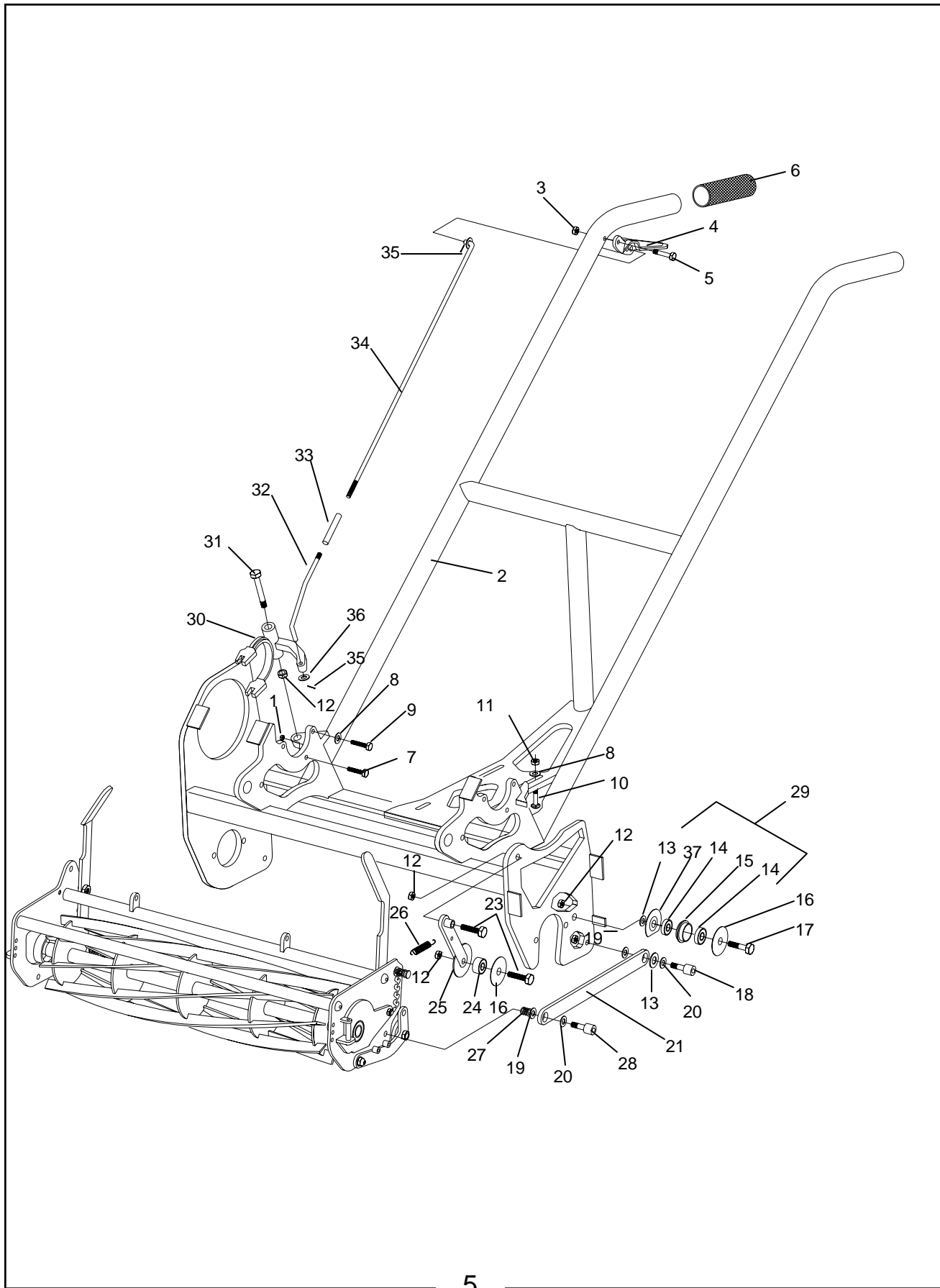
CB - Carriage Bolt

HSOSS - Hex Socket Head Set Screw



### Frame Assembly - Right Side

REF. NO.	PART NO.	QTY.	DESCRIPTION	REF. NO.	PART NO.	QTY.	DESCRIPTION
1	5200-25	1	Frame Assembly, 25"	19	10151200	4	Hex Nut 5/16"-24 CP
	5200-30	1	Frame Assembly, 30"	20	15528	4	Hex Nut 5/16-18 CP
	5200-36	1	Frame Assembly, 36"	21	3269	4	Lock Washer
2	5026	1	Clutch Hand Lever	22	744-1	1	HHCS
3	5079	1	Handle Bolt	23	2100	1	Washer
4	5051	1	Handlebar Grip	24	5012	1	Adjuster Chain Block
5	5083	1	Nylon Jam Lock Nut	25	5081	4	Axle Bearing Screw
6	1893	4	Cotter Pin	26	778	2	Washer
7	5098	1	Clutch Rod	27	1357	2	Washer
8	5064	1	Reel Lift Handle	28	5046	4	Bushing
9	1866	1	Nylon Bushing	29	44604	2	Frame Arm Bolt
10	1865	1	Cap	30	5049	1	Reel Arm Bolt
11	796	2	Screw	31	5044	2	Link Arm (Upper Arm must be REMOVED for Front Roller Attachment)
12	5076	1	HHCS 1/2" x 3-1/2"				
13	1210-I	1	Clutch Fork				
14	44608	1	Jam Nut	32	5067	2	Spring
15	5101	1	Clutch Rod Coupler	33	5057	1	Lift Rod
16	5099	1	Left Angle Rod				
17	20568	4	Washer				
18	5096	1	Caster Pin Screw				

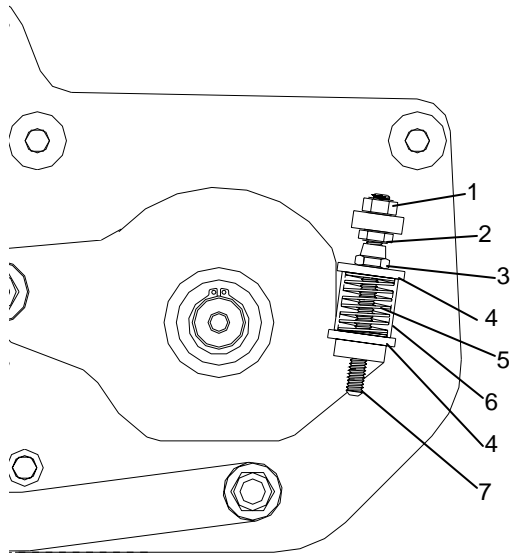


### Frame Assembly - Left Side

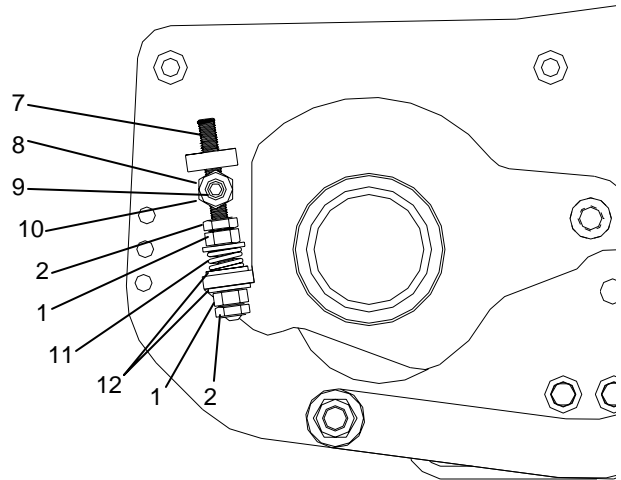
REF. NO.	PART NO.	QTY.	DESCRIPTION	REF. NO.	PART NO.	QTY.	DESCRIPTION
1	44516	2	Jam Nut 5/16"-18	21	5044	1	Link Arm
2	5200-25	1	Frame Assembly, 25"	22	15501	2	Jam Nut
	5200-30	1	Frame Assembly, 30"	23	5090	2	HHCS 1/2"-20 x 1-3/4"
	5200-36	1	Frame Assembly, 36"	24	1060	1	Chain Idler
3	5083	1	Nylon Jam Lock Nut	25	500207	1	Idler Bracket
4	5026	1	Clutch Hand Lever	26	812	1	Spring
5	5079	1	HHCS	27	5067	1	Spring
6	5051	1	Handlebar Grip	28	5049	1	Reel Arm Bolt
7	1161010	2	HHCS 5/16"-18 x 1"	29	1059-A	1	Chain Idler Assembly
8	3269	8	Lock washer	30	1210-I	1	Clutch Fork
9	1161006	4	HHCS 5/16" x 3/4"	31	5076	1	HHCS 1/2"-20 x 3-1/2"
10	5141016	4	CB 5/16"-18 x 1-1/2" Z5	32	5099	1	Left Angle Rod
11	44553	4	Nylock Nut 5/16"-18 CP	33	5101	1	Clutch Rod Coupler
12	44608	4	Jam Nut 1/2"-20 CP	34	5098	1	Clutch Rod
13	1357	1	Washer	35	1893	2	Cotter Pin
14	1059-B	2	Bearing	36	923	1	Washer
15	1059-SH	1	Chain Idler Shell	37	500215	1	Inner Chain Guard
16	5107	2	Chain Guide Disc				
17	15025	1	HHCS 1/2-20" x 2" G5 ZP				
18	44604	1	Frame Arm Bolt				
19	5046	2	Bushing				
20	1357	1	Washer				

NOT SHOWN: Kohler Engine

1563	1	Sprocket	778	1	Washer
3417	1	Spacer	746	1	Bolt
3270-1	1	Collar	423	1	Chain
5102	1	Key			



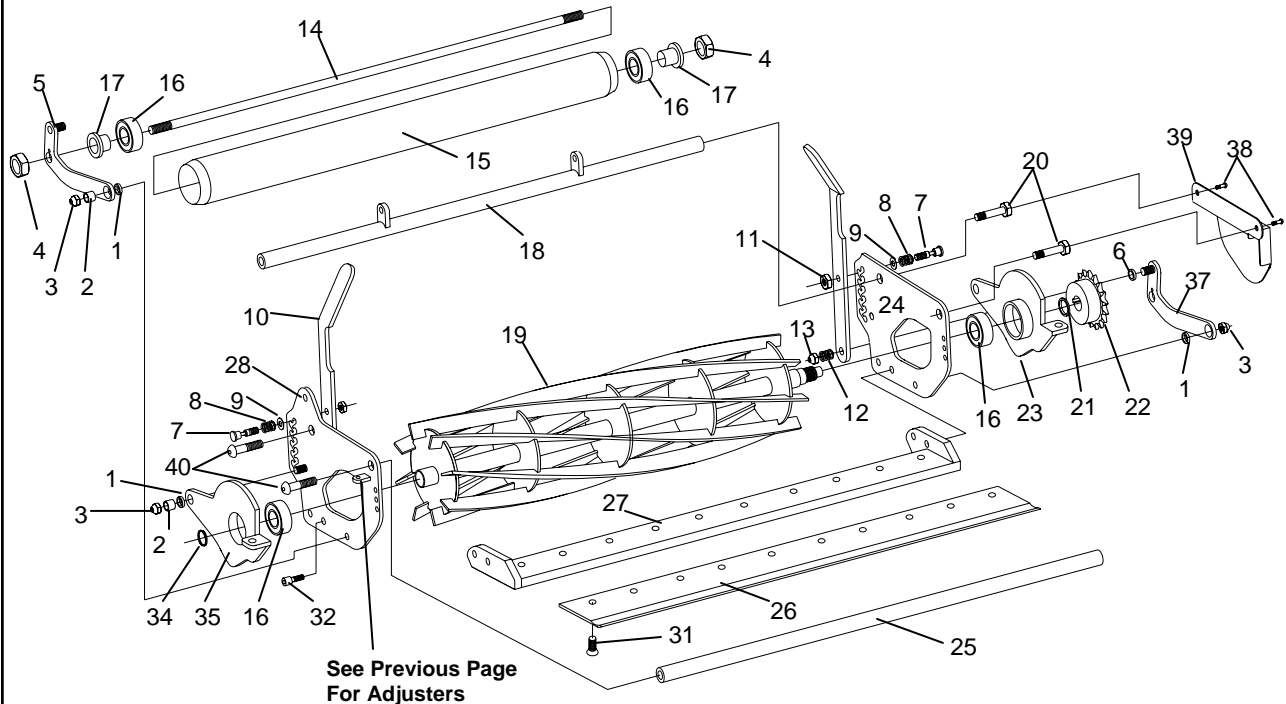
V-Reel Adjustment



Standard Reel Adjustment

REF. NO.	PART NO.	QTY.	DESCRIPTION
1	44702	2 - 4	Hex Nut 1/4"-28
2	44709	2 - 4	Jam Nut 1/4"-28
3	5103	2	Nylock Hex Nut 1/4"-28
4	50019664	2	Washer 1/4"
5	2126	2	Spring
6	500101	2	Spring Sleeve
7	500145	2	Stud 1/4"-28 x 3"
8	50026517	2	Toro Bedknife Screw
9	500144	2	Coupling Nut 5/16"-18
10	76109	2	Nylon Lock Bolt 5/16"-18 x 1/2"
11	729	2	Spring
12	44714	2	Washer 3/16"

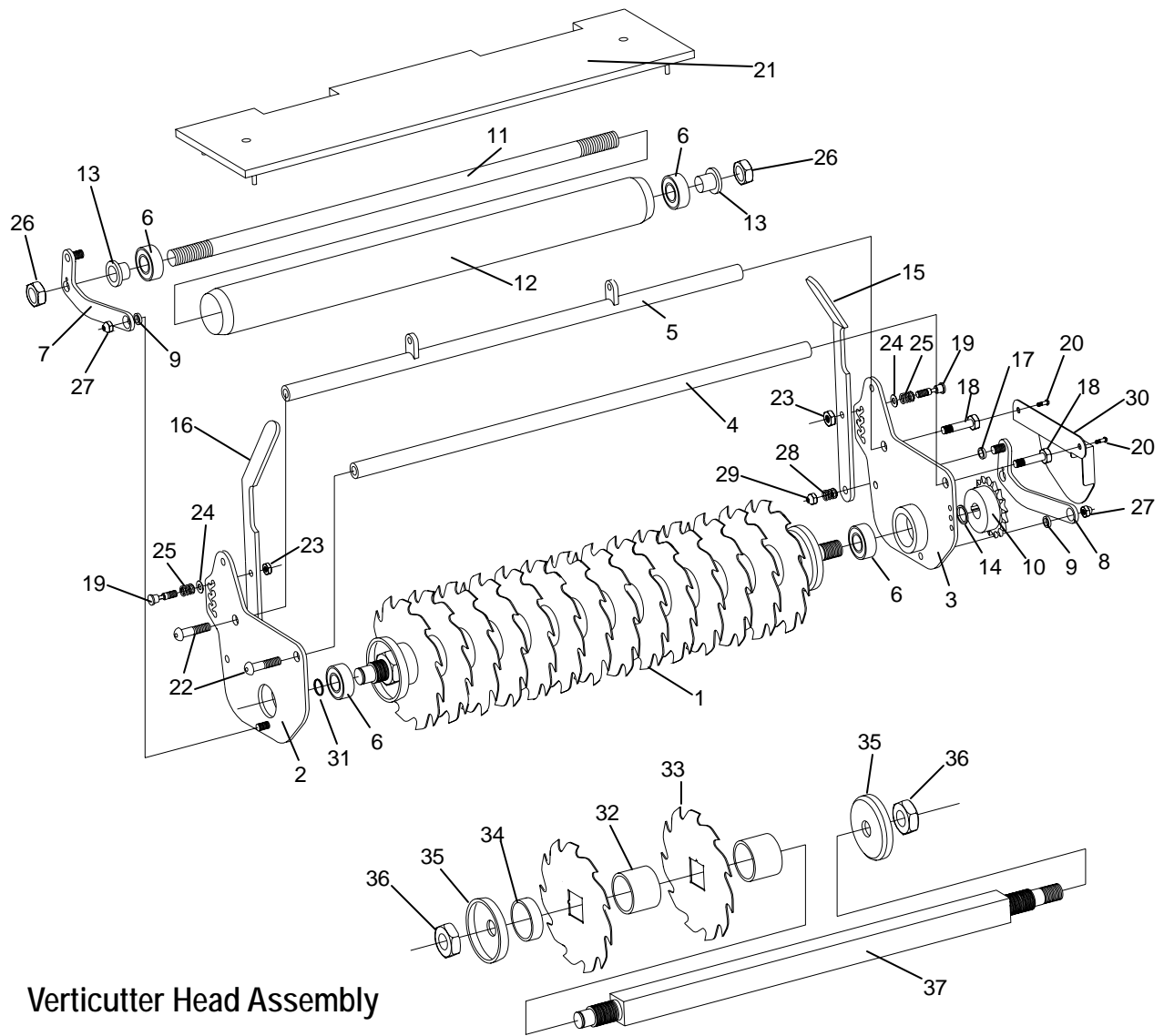




### Reel Assembly

REF. NO.	PART NO.	QTY.	DESCRIPTION	REF. NO.	PART NO.	QTY.	DESCRIPTION
1	5046	2	Bushing	19	5020-36-6	1	36" 6 Blade Reel
2	2116	4	Bushing Spacer		5020-36-8	1	36" 8 Blade Reel
3	724-J	4	Jam Nut 3/8"-24 CP	20	5114	2	Spacer Bar Screw
4	1780	2	Nylon Jam Lock Nut	21	1310	A/R	Reel Shim
5	5021R	1	RH Height Roller Arm	22	1238	1	Sprocket, 17T
6	5037	2	60° Bushing	23	5015	1	LH Bearing Housing
7	5038	2	QA Pin	24	5014	1	LH Side Plate
8	5066	2	QA Spring	25	5033-25	1	25" Spacer Bar
9	5091	2	QA Washer		5033-30	1	30" Spacer Bar
10	5034R	1	RH QA Handle		5033-36	1	36" Spacer Bar
11	744	2	Hex Nut 5/16"-24 CP	26	5095-25	1	25" Bedknife
12	729	2	Spring		5095-30	1	30" Bedknife
13	5084	2	Nylon Jam Lock Nut 3/8"-24		5095-36L	1	36" Bedknife LH
14	5036-25	1	Axle, 25"		5095-36R	1	36" Bedknife RH
	5036-30	1	Axle, 30"	27	5025-25	1	25" Blade Back
	5036-36	1	Axle, 36"		5025-30	1	30" Blade Back
15	5104-25	1	Height Roller, 25"		5025-36	1	36" Blade Back
	5104-30	1	Height Roller, 30"	28	5016	1	RH Side Plate
	5104-36	1	Height Roller, 36"	29	5078	2	Adjuster Screw
16	50026271	4	Bearing	30	894	2	Spring
17	5032	2	Bushing	31	44570	A/R	Bedknife Screw 5/16"-18 x 1-1/4"
18	5106-25	1	Rear Spacer Bar, 25"	32	5072	4	Blade Back Screw
	5106-30	1	Rear Spacer Bar, 30"	33	5083	2	Nylon Lock Nut 1/4"-28
	5106-36	1	Rear Spacer Bar, 36"	34	80437	1	Reel Snap Ring
19	5020-25-6	1	25" 6 Blade Reel	35	5017	1	RH Bearing Housing
	5020-25-8	1	25" 8 Blade Reel	36	5034L	1	LH QA Handle
	5020-30-6	1	30" 6 Blade Reel	37	5021L	1	LH Height Roller Arm
	5020-30-8	1	30" 8 Blade Reel	38	5010	2	Round Head Slot Brass Screw
				39	5055-1	1	Chain Guard
				40	5047	2	Button Head 1/2"-13 x 1"

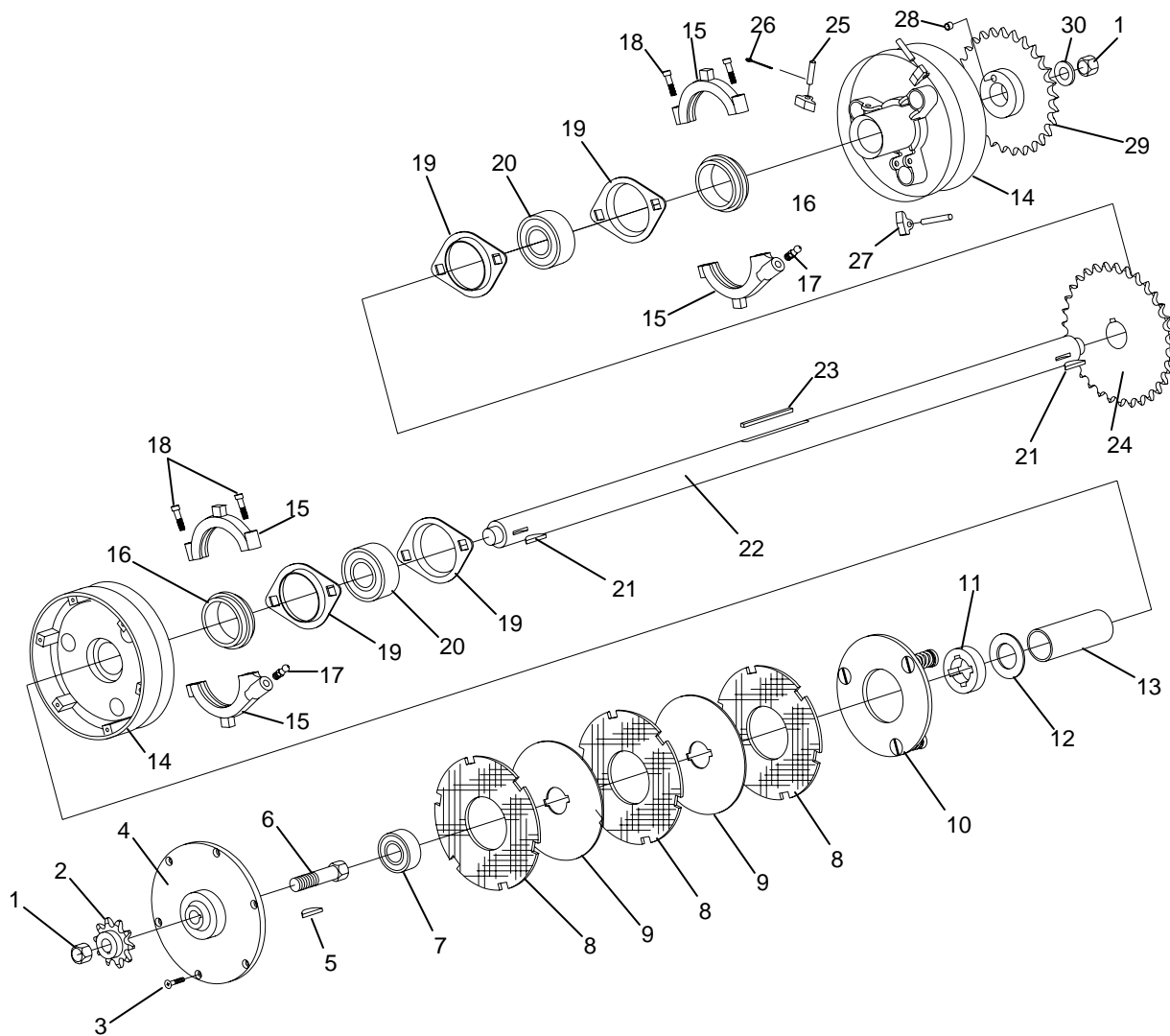




## Verticutter Head Assembly

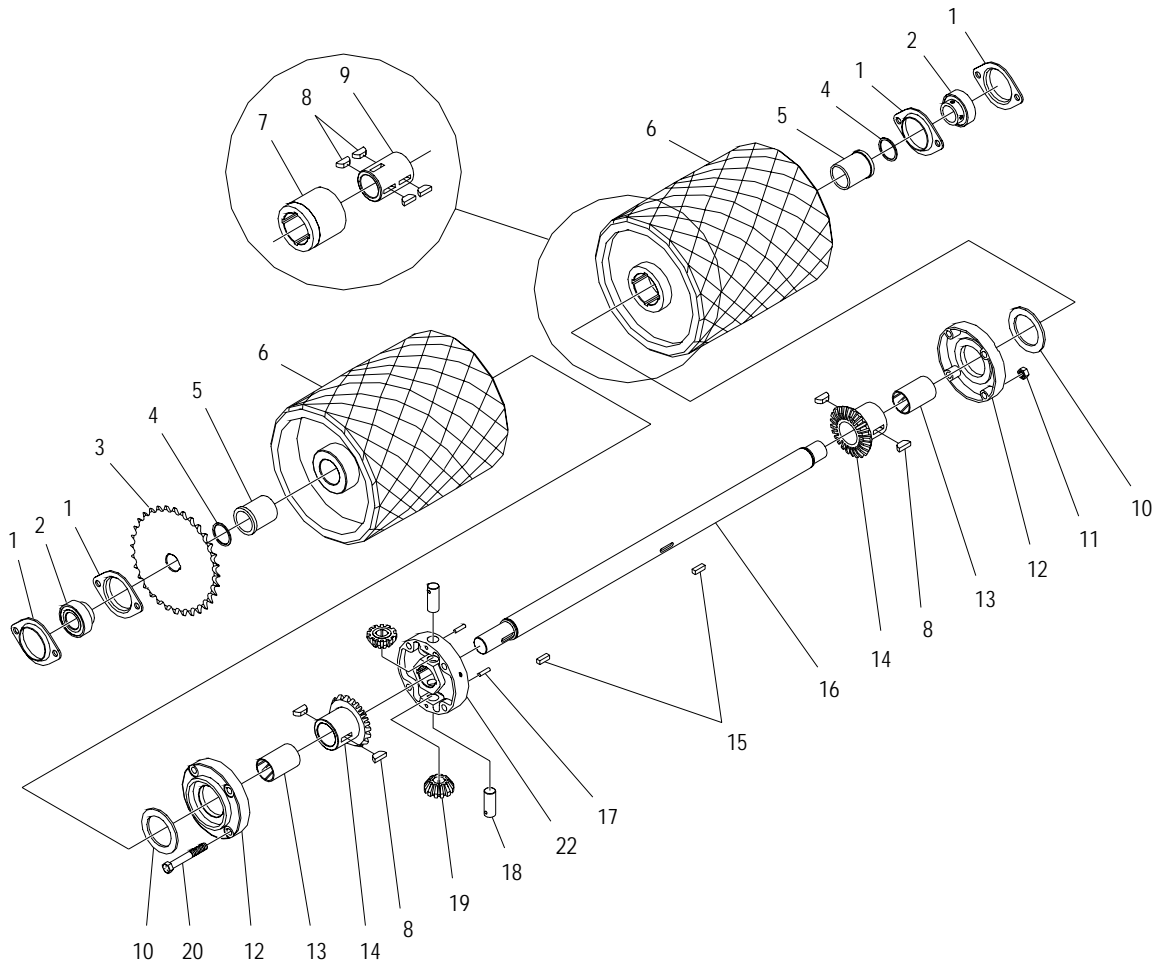
REF. PART NO. NO.	QTY.	DESCRIPTION	REF. PART NO. NO.	QTY.	DESCRIPTION		
1	111013	1	Cutting Head	20	5010	2	Round Head Slot Brass Screw
2	111002	1	End Plate Weldment RH	21	111040	1	Shield / Counter Weight
3	111001	1	End Plate Weldment LH	22	5047	2	Button HD. 1/2"-13 x 1"
4	5033-25	1	Spacer Bar 25"	23	15501	2	Hex Nut 5/16"-24
5	5106-25	1	Spacer Bar 25" Rear	24	5091	2	Bellville Washer
6	50026271	4	Bearing 47mm x 20mm	25	5066	2	Spring
7	5021R	1	Rear Roller Height Arm LH	26	1780	2	Jam Nut 1/2"-20 Nylock
8	5021L	1	Rear Roller Height Arm RH	27	724-J	2	Jam Nut 3/8"-24
9	5046	2	Bushing	28	729	2	Spring
10	1238	1	Sprocket 17 Teeth	29	5084	2	Jam Nut 3/8"-24 Nylock
11	5039-25	1	Roller Axle	30	5055-1	1	Chain Guard
12	5104-25	1	Roller Tube	31	80434	1	Snap Ring
13	5032	2	Bushing	32	500097	13	Verticutter Blade Spacers
14	1310	AR	Shim	33	111009	14	Dynablade 11 Tooth
15	5034L	1	Handle, RH	34	500098	2	Verticutter End Spacers
16	5034R	1	Handle, LH	35	50022381	2	Shaft Washer
17	5037	2	Bushing, 60°	36	15614	2	Jam Nut 1"-14
18	5114	2	Special HHCS 1/2"-13 x 1-1/4"	37	500094	1	Verticutter Shaft
19	5038	2	Pin, Quick Adjust				

(Different Spacing and Number of Blades available but not listed in this manual)



### Clutch Shaft Assembly

REF. NO.	PART NO.	QTY.	DESCRIPTION	REF. NO.	PART NO.	QTY.	DESCRIPTION
1	777	2	Hex Nut 1/2"-20 UNF	16	5086	2	Clutch Cone
2	1217	1	Sprocket, 10T	17	449	2	Grease Fitting
3	44560	6	Flat Head Screw	18	796	4	Fillister Head Screw
4	955	2	Clutch Cover Plate	19	5061	4	Bearing Flange
5	776	2	Key	20	5003	2	Bearing
6	775	2	Clutch Sprocket Stud	21	768	4	Key
7	1164	2	Bearing	22	5007-25	1	Clutch Shaft, 25"
8	959-M	6	Fiber Friction Disc		5007-30	1	Clutch Shaft, 30"
9	5024	4	Clutch Plate		5007-36	1	Clutch Shaft, 36"
10	5105	2	40# Pressure Plate	23	3598	1	Key
11	5040	2	Key Retainer	24	5009	1	Sprocket, 32T
12	784	2	Thrust Washer	25	792	6	Pin
13	2147	2	Bushing	26	1891	6	Cotter Pin
14	1165	2	Clutch Housing	27	1398	6	Clutch Dog
15	795-B	2	Bronze Thrust Collar	28	781	1	Key
				29	1237	1	Sprocket, 28T
				30	778	1	Washer



### Drive Roller Assembly

REF. NO.	PART NO.	QTY.	DESCRIPTION	REF. NO.	PART NO.	QTY.	DESCRIPTION
1	5061	4	Bearing Flange	13	1830-1	2	Bushing
2	5003	2	Bearing	14	849-P	2	Keyed Differential Bevel Gear
3	5011	1	Sprocket, 40T	15	1772	2	Key 1/4" x 1/4" x 3/4"
4	5074	2	Axle Snap Ring	16	5005-25	1	25" Axle
5	842	2	Bushing		5005-30	1	30" Axle
6	5082	2	Traction Roller		5005-36	1	36" Axle
7	5062	2	30" Roller Extension	17	716	2	Pin
8	768	4	Key (8 Additional Req'd. w/30")	18	851	2	Differential Bevel Pinion Stud
9	1505	2	Keyed Sleeve (30" only)	19	850	2	Differential Bevel Pinion
10	1378	2	Washer	20	855	4	HHCS 2/8"-24 x 2-3/4" CP
11	15597	4	Hex Nut 3/8"-24 NF CP	21	1879	1	Grease Fitting
12	854	2	Differential Side Plate	22	853-I	1	Center Plate

**NOT SHOWN:**

Pneumatic Tire Assembly

1070-TA 2

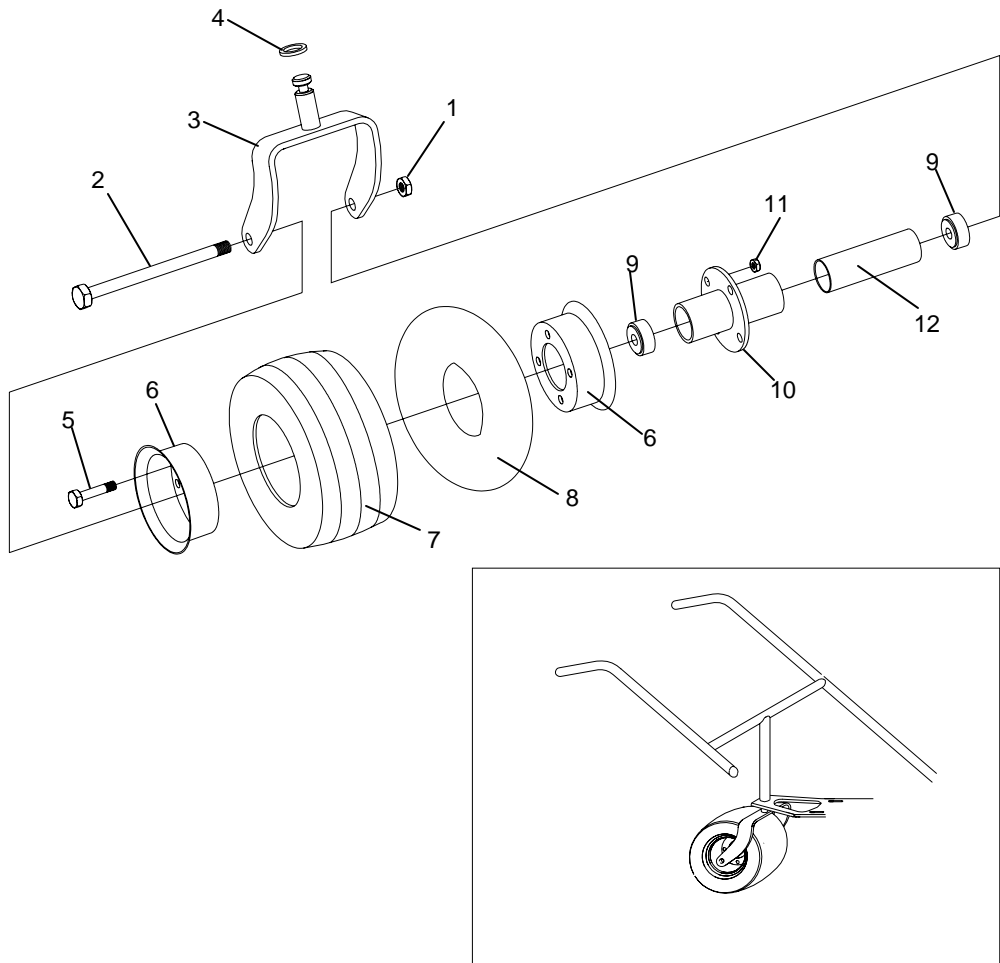
1075-TA 2

849-SP 2

Tire Assembly  
(25" replaces 5082)

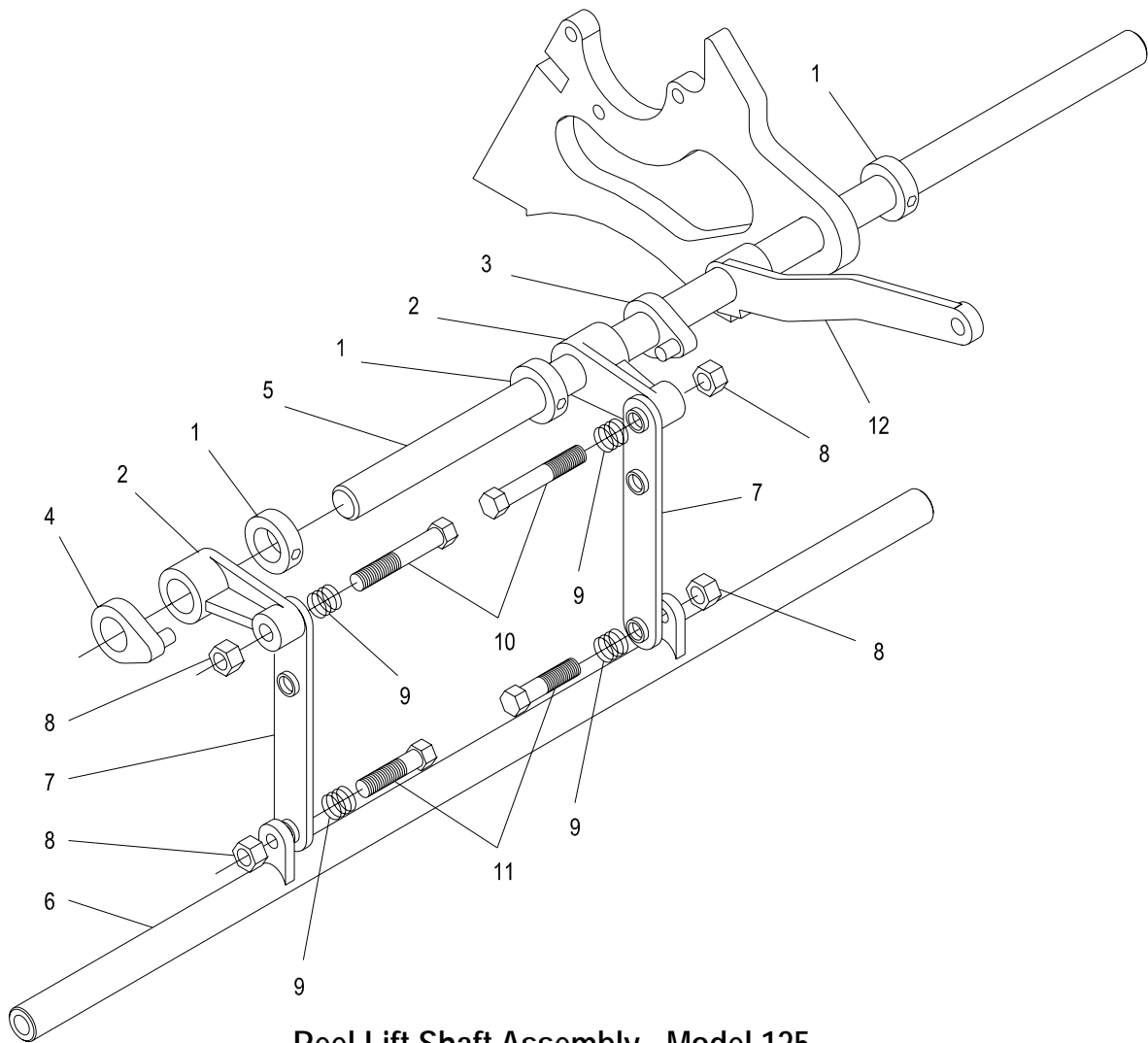
Tire Assembly  
(30" replaces 5082)

Splined Differential Bevel Gear  
(replaces 849-P)



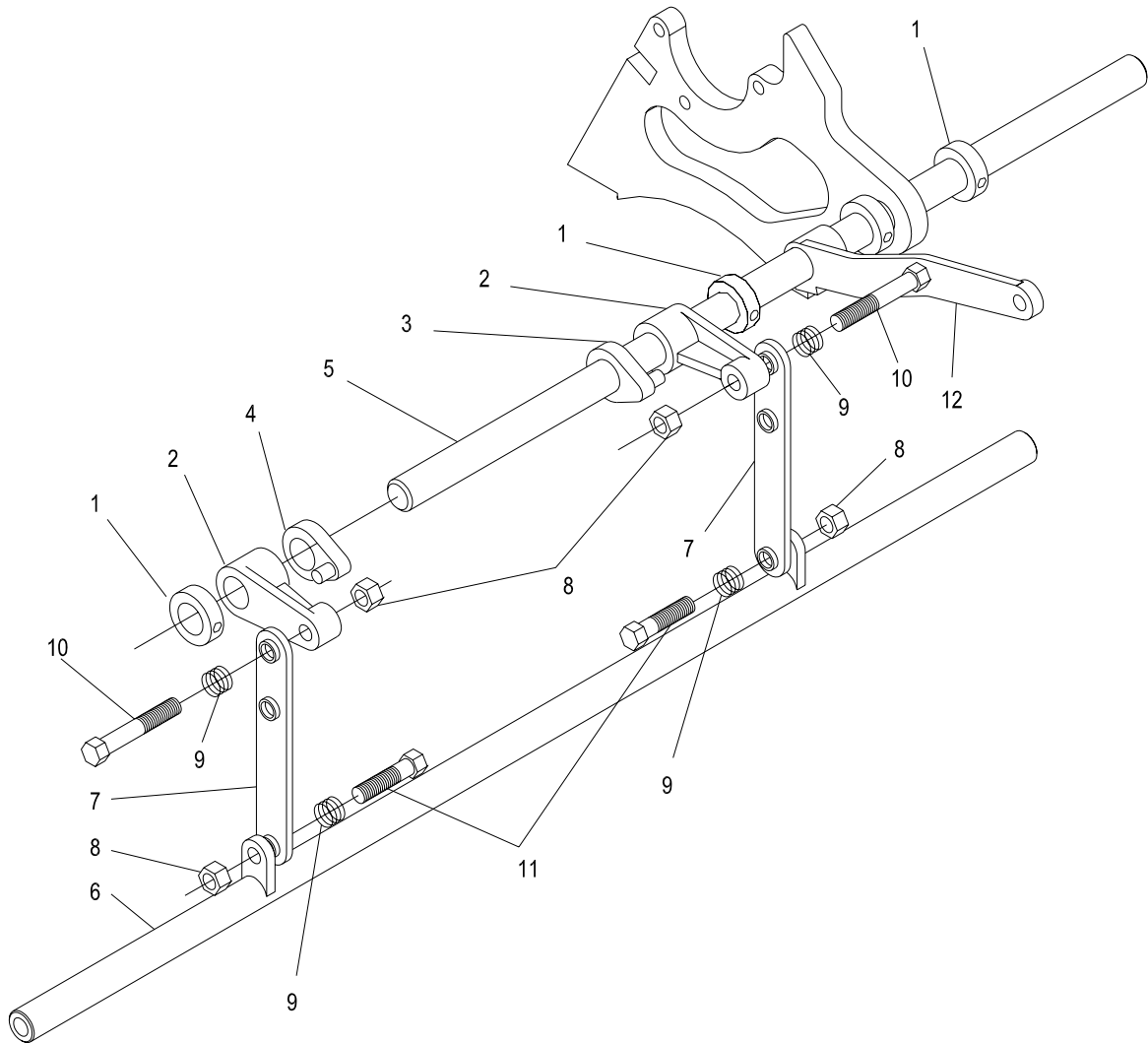
### Caster Wheel Assembly

REF. NO.	PART NO.	QTY.	DESCRIPTION
1	1780	1	Nylon Jam Lock Nut
2	20496	1	HHCS 1/2"-13 x 5-1/2" G5
3	5027	4	Caster Fork Assembly
4	1310	2	Washer
5	20034	4	HHCS
6	5112	1	Split Rim
7	5058	1	Caster Tire
8	5059	1	Tire Tube
9	1059-B	2	Bearing
10	5028	1	Caster Hub Weldment
11	8151200	4	Hex Nut 3/8"-16 CP
12	500110	1	Bearing Spacer Tube



### Reel Lift Shaft Assembly - Model 125

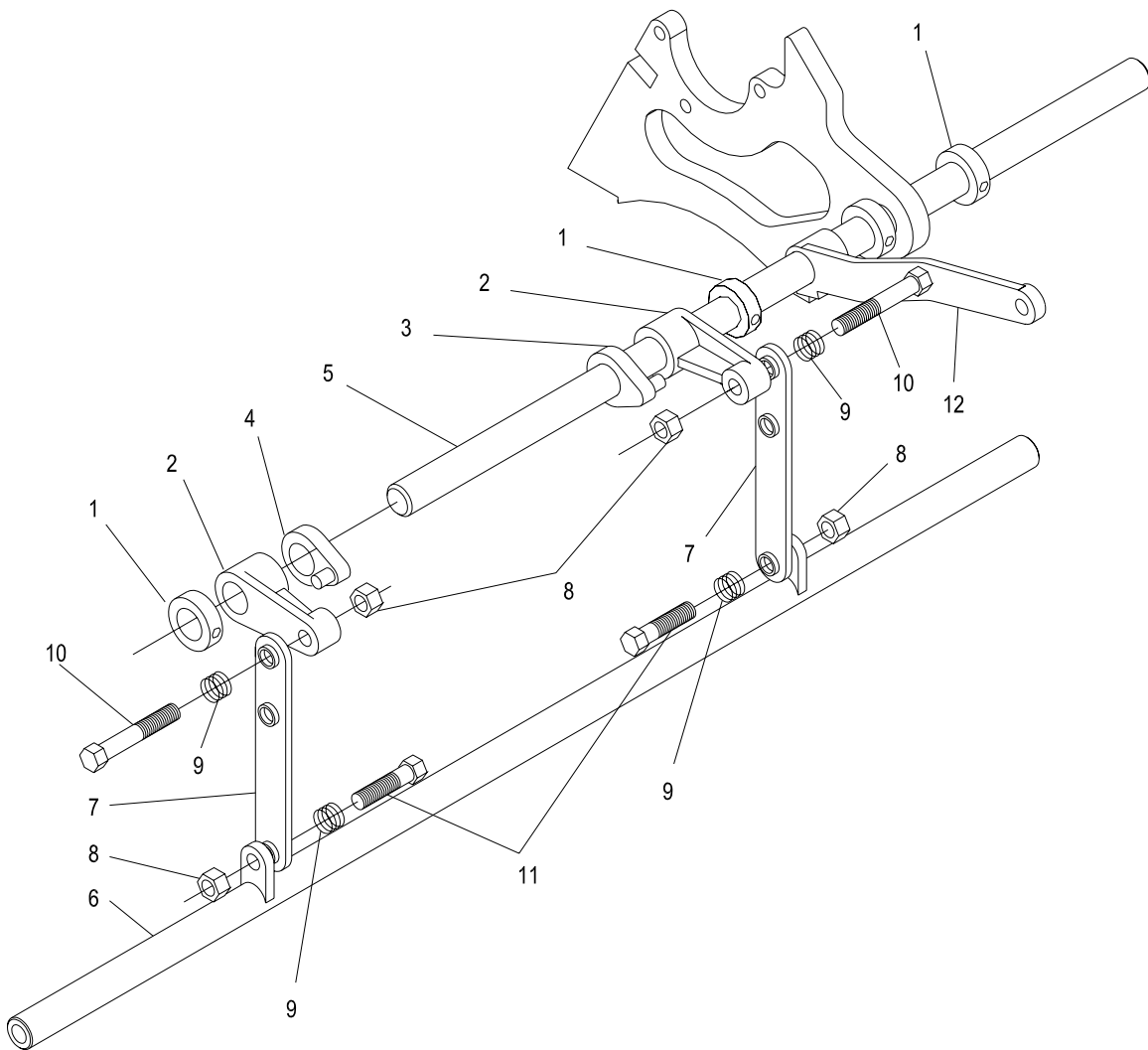
REF. NO.	PART NO.	QTY.	DESCRIPTION
1	3270-1	3	Shaft Collar
2	5065	2	Reel Lift Arm
3	5063L	1	Left Lift Collar
4	5063R	1	Right Lift Collar
5	5060-25	1	25" Lift Shaft
6	5106-25	1	25" Rear Spacer Bar
7	906-1	2	Carrying Link
8	44601	4	Hex Nut 3/8"-16 Nylock
9	729	4	Spring
10	44174	2	HHCS 3/8"-16 x 1-3/4" G5
11	20881	2	HHCS
12	5069	1	Reel Lift Lever



### Reel Lift Shaft Assembly - Model 130

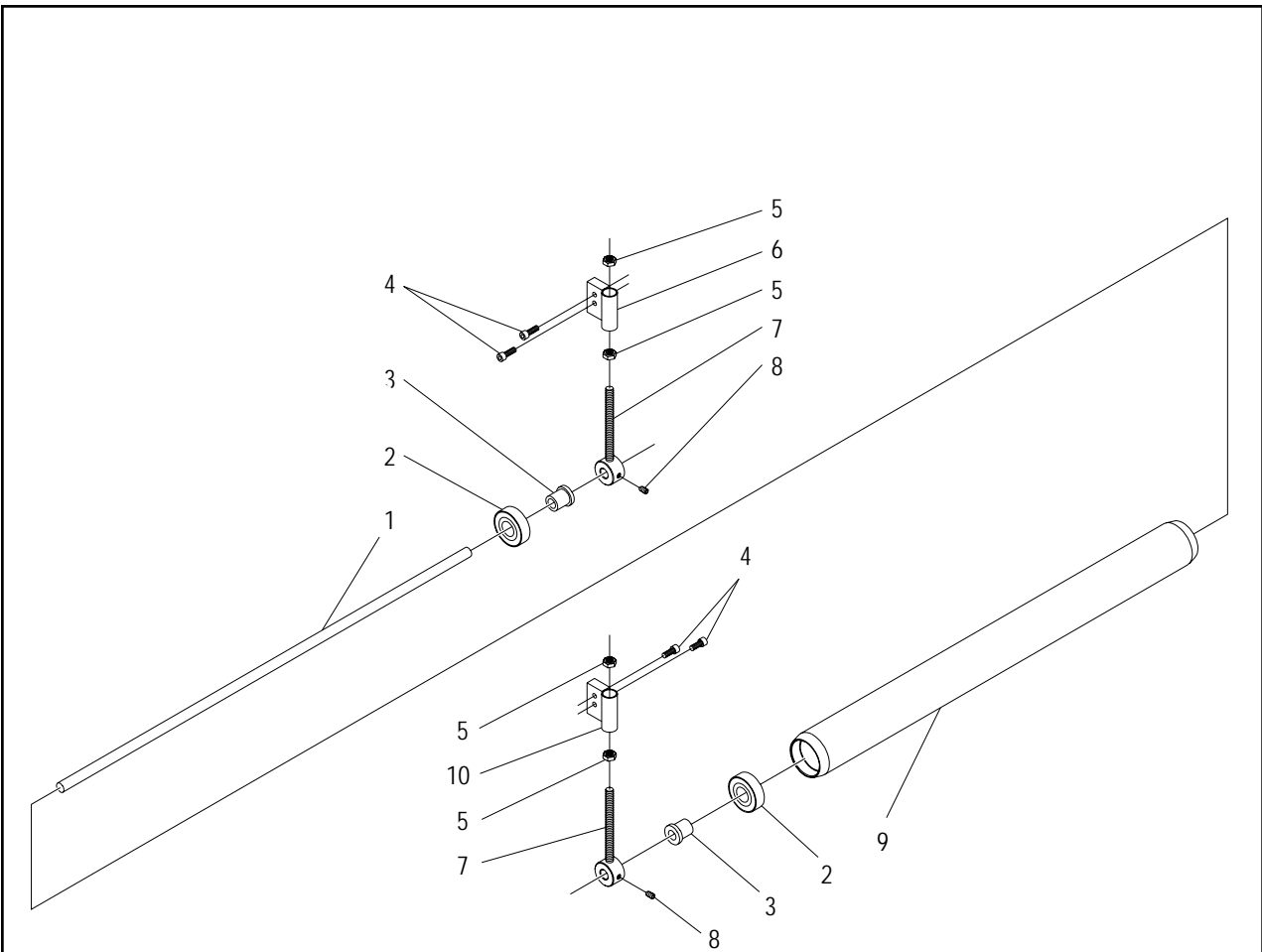
REF. NO.	PART NO.	QTY.	DESCRIPTION
1	3270-1	3	Shaft Collar
2	5065	2	Reel Lift Arm
3	5063L	1	Left Lift Collar
4	5063R	1	Right Lift Collar
5	5060-30	1	30" Lift Shaft
6	5106-30	1	30" Rear Spacer Bar
7	906-1	2	Carrying Link
8	44601	4	Hex Nut 3/8"-16 Nylock
9	729	4	Spring
10	44174	2	HHCS 3/8"-16 x 1-3/4" G5
11	892-1	2	HHCS
12	5069	1	Reel Lift Lever





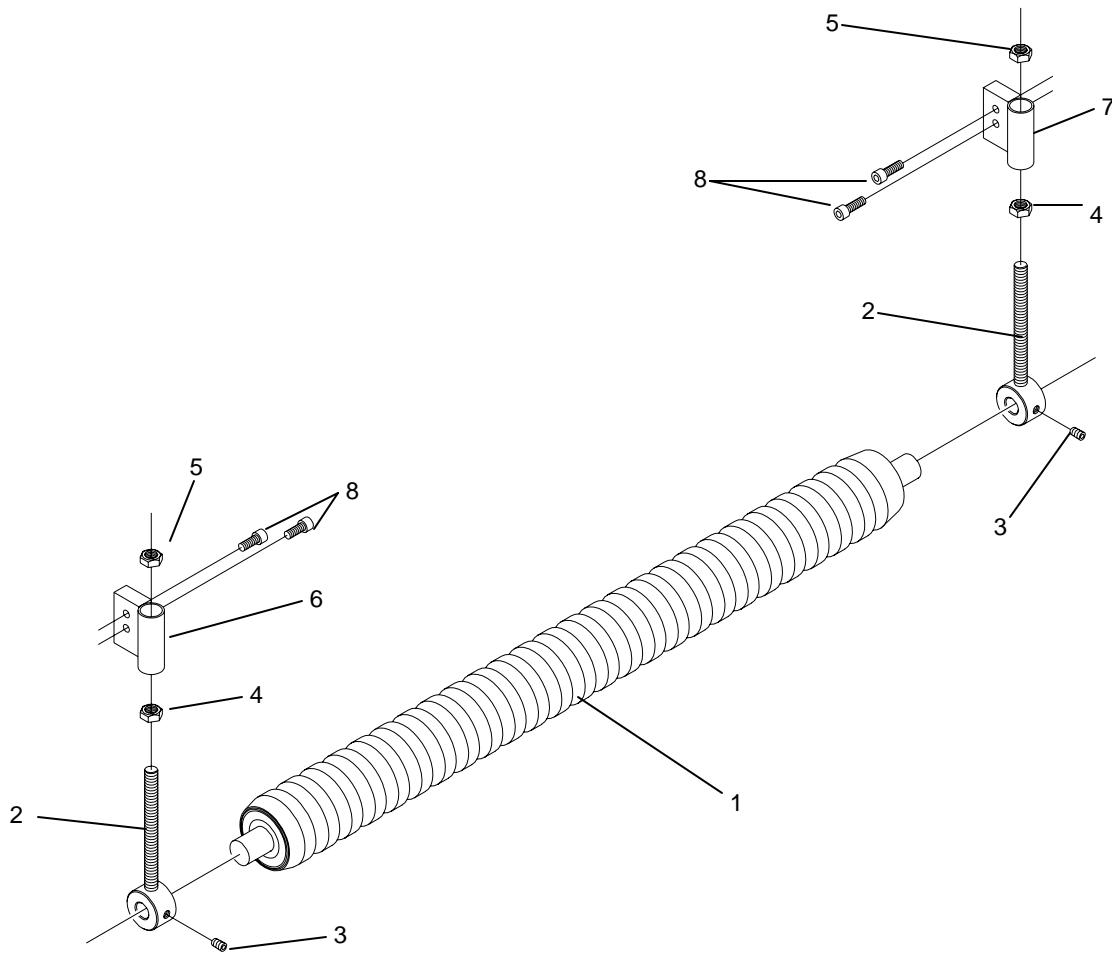
### Reel Lift Shaft Assembly - Model 136

REF. NO.	PART NO.	QTY.	DESCRIPTION
1	3270-1	3	Shaft Collar
2	5065	2	Reel Lift Arm
3	5063L	1	Left Lift Collar
4	5063R	1	Right Lift Collar
5	5060-36	1	36" Lift Shaft
6	5106-36	1	36" Rear Spacer Bar
7	906-1	2	Carrying Link
8	44601	4	Hex Nut 3/8"-16 Nylock
9	729	4	Spring
10	44174	2	HHCS 3/8"-16 x 1-3/4" G5
11	892-1	2	HHCS
12	5069	1	Reel Lift Lever



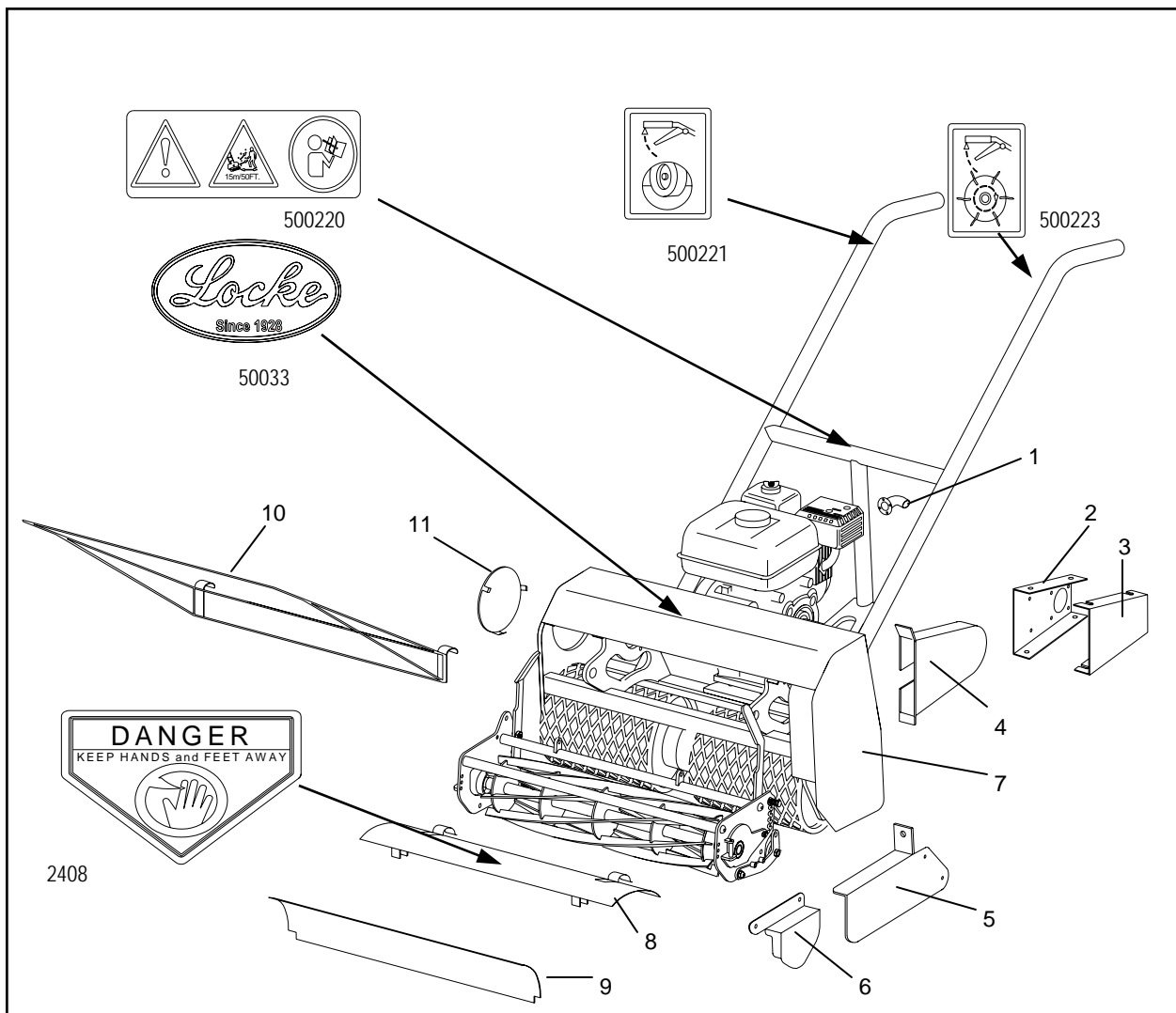
### Front Roller Assembly (Optional)

REF. NO.	PART NO.	QTY.	DESCRIPTION
1	5011-25	1	25" Axle
	5011-30	1	30" Axle
	5011-36	1	36" Axle
2	50026271	2	Bearing
3	5032	2	Bushing
4	44580	4	HHCS 1/4"-20 x 3/4"
5	724-J	4	Jam Nut 3/8"-24 CP
6	5109-N	1	Left Front Roller Bracket
7	5110-N	2	Rod Clevis
8	3117	2	Set Screw
9	5104-25	1	25" Roller
	5104-30	1	30" Roller
	5104-36	1	36" Roller
10	5108-N	1	Right Front Roller Bracket



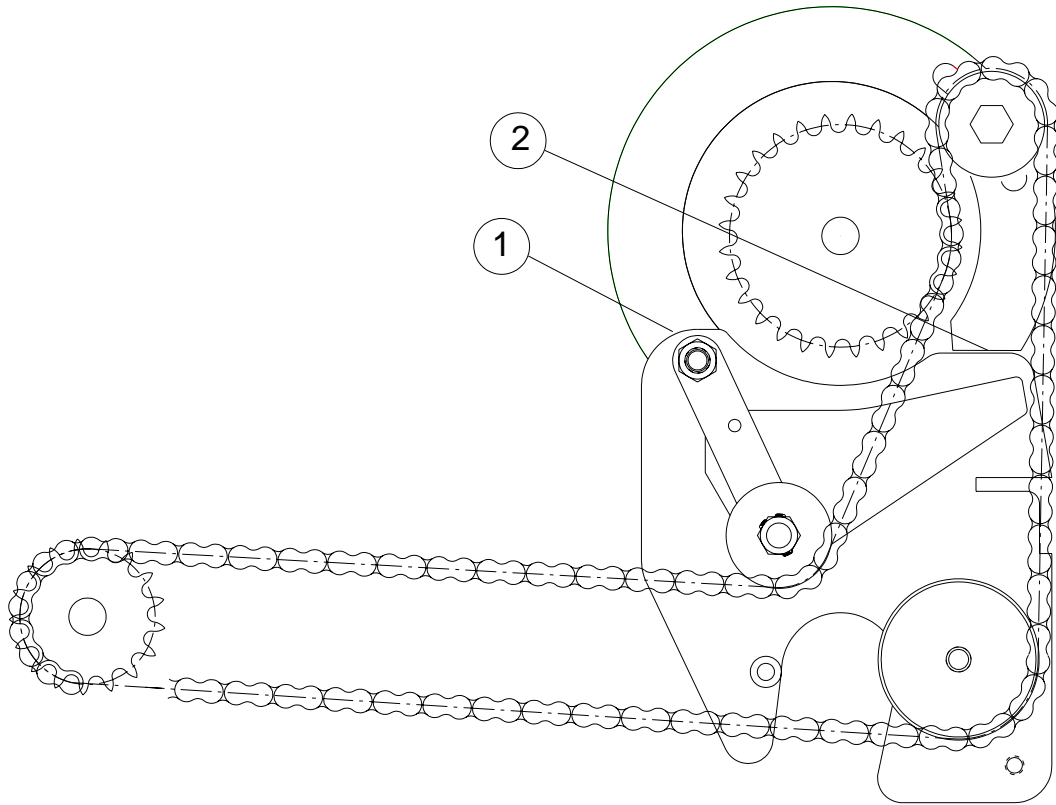
### Grooved Roller Assembly (Optional)

REF. NO.	PART NO.	QTY.	DESCRIPTION
1	500123	1	25" Grooved Roller Assembly
	500135	1	30" Grooved Roller Assembly
	500136	1	36" Grooved Roller Assembly
2	50040028	2	Roller Adjuster Weldment
3	18141206	2	SQ HD Set Screw 3/8"-16 x 3/4"
4	15519	2	Jam Nut 1/2"-13 CP
5	8151600	2	Hex Nut 1/2"-13 CP
6	5108-N	1	Front Roller Bracket RH
7	5109-N	1	Front Roller Bracket LH
8	44580	4	HHCS 1/4" x 3/4" BLK



### Decals, Shields and Grass Catchers

REF. NO.	PART NO.	QTY.	DESCRIPTION	REF. NO.	PART NO.	QTY.	DESCRIPTION
1		1	Engine Exhaust Deflector (available for all engines)	9	5089-25	1	Front Throw Shield 25"
2	500028	1	Chain Guard Back (Kohler engines)		5089-30	1	Front Throw Shield 30"
3	500029	1	Chain Guard Front (Kohler engines)		5089-36	1	Front Throw Shield 36"
4	500107	1	Chain Guard (Honda and Briggs & Stratton engines)	10	500062	1	Grass Catcher Kit 25"
5	500190	1	Reel Chain Guard		500063	1	Grass Catcher Kit 30"
6	5055-1	1	Reel Sprocket Guard		500121	1	Grass Catcher Kit 36"
7	5052-25	1	Primary Guard 25"	11	500125	1	Access Panel
	5052-30	1	Primary Guard 30"	Grass Catcher Kits include:			
	5052-36	1	Primary Guard 36"	25"	5202-25	1	25" Grass Bag
8	5053-25	1	Rear Throw Shield 25"		500146	1	25" Catcher Frame
	5053-30	1	Rear Throw Shield 30"		5089-25	1	25" Front Throw Shield
	5053-36	1	Rear Throw Shield 36"	30"	5202-30	1	30" Grass Bag
					500147	1	30" Catcher Frame
					5089-30	1	30" Front Throw Shield
				36"	5202-36	1	36" Grass Bag
					500148	1	36" Catcher Frame
					5089-36	1	36" Front Throw Shield



### On Board Backlapping Kit

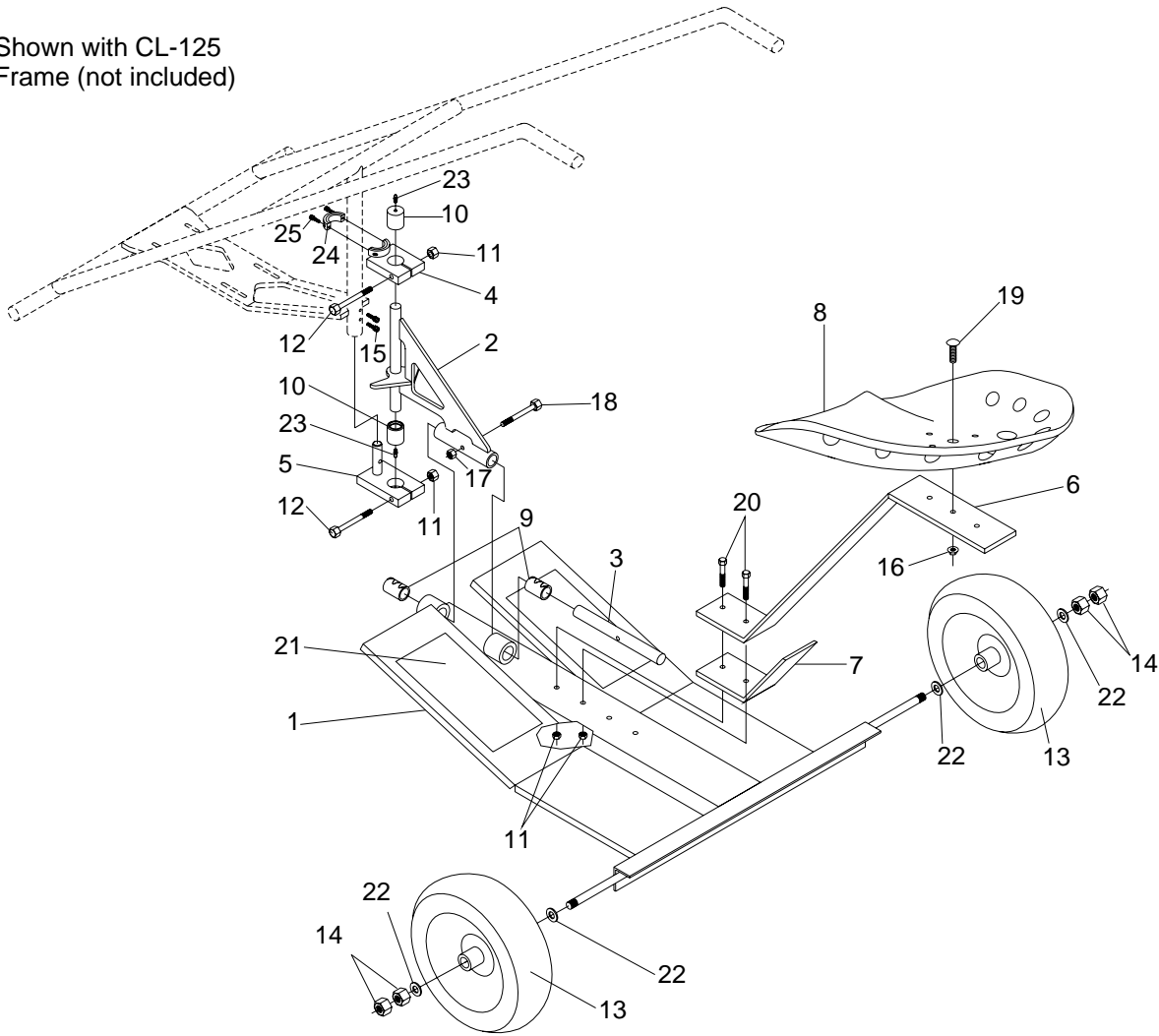
Mount Reversing Bracket to the backside of the frame to cap screw #1, #5090, rest the other end on the frame top #2 then reroute chain as shown.

Run engine at its slowest idle possible then engage the Reel Drive and apply Lapping Compound. After Lapping, rinse compound off with water.

#500064 Backlapping Kit



Shown with CL-125  
Frame (not included)



### Sulky Attachment - (Optional)

REF. NO.	PART NO.	QTY.	DESCRIPTION	REF. NO.	PART NO.	QTY.	DESCRIPTION
1	500173	1	Sulky Frame Weldment	14	15653	4	Jam Nut 5/8"-18 CP
2	500179	1	Sulky Gusset and Vertical Shaft Weld	15	44554	2	HSOSS 1/4"-28 x 1/2"
3	500170	1	Horizontal Pivot Shaft	16	44615	1	Flanged Hex Nut 1/2"-13
4	500176	1	Upper Vertical Pivot Clamp Weld	17	44553	1	Hex Nut 5/16"/18 CP Nylock
5	500178	1	Lower Vertical Pivot Clamp Weld	18	20012	1	HHCS 5/16"-18 x 1-3/4" G5
6	500174	1	Seat Mounting Spring	19	5161614	1	CB 1/2"-13 x 1-1/2" G5 ZP
7	500180	1	Seat Mounting Spring Reinforcement	20	44174	2	HHCS 3/8"-16 x 1-3/4" G5
8	1041	1	Steel Seat	21	990085	20"	3M Anti-Slip 4" Wide Tape
9	50021149	2	Spring Bushing	22	20748	4	Flatwasher 5/8" SAE ZP
10	50019948	2	Bearing Cup Assembly	23	449	4	Grease Fitting
11	44601	4	Hex Nut 3/8"-16 Nylock	24	890599	1	Clamp Tite Collar
12	19055	2	HHCS 3/8"-16 x 3" G5 ZP	25		2	HSOSS 3/16" x 5/8"
13	500166	2	Tire and Wheel Assembly				



**Locke Turf, Inc.**

307 Highway 52E • Opp, Alabama 36467 • (334) 493-1300