

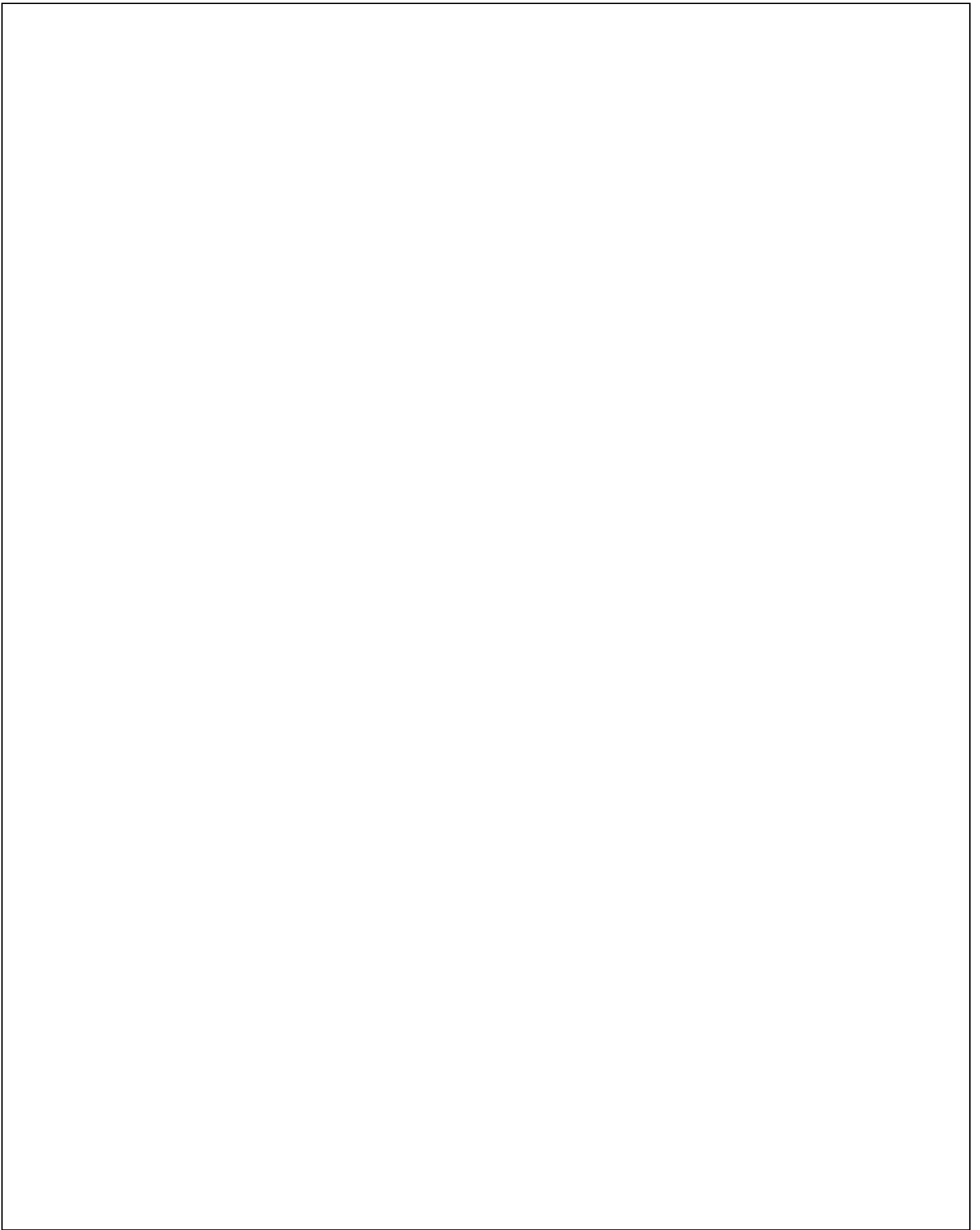


# **Golf and Turf Series GT-122 and GT-126**



## **Parts Manual**

**Locke Turf**  
307 Highway 52E • Opp, Alabama 36467 • 334-493-1300



# GT Series Mower

## ALPHABETICAL INDEX

### CONTENTS

### PAGE

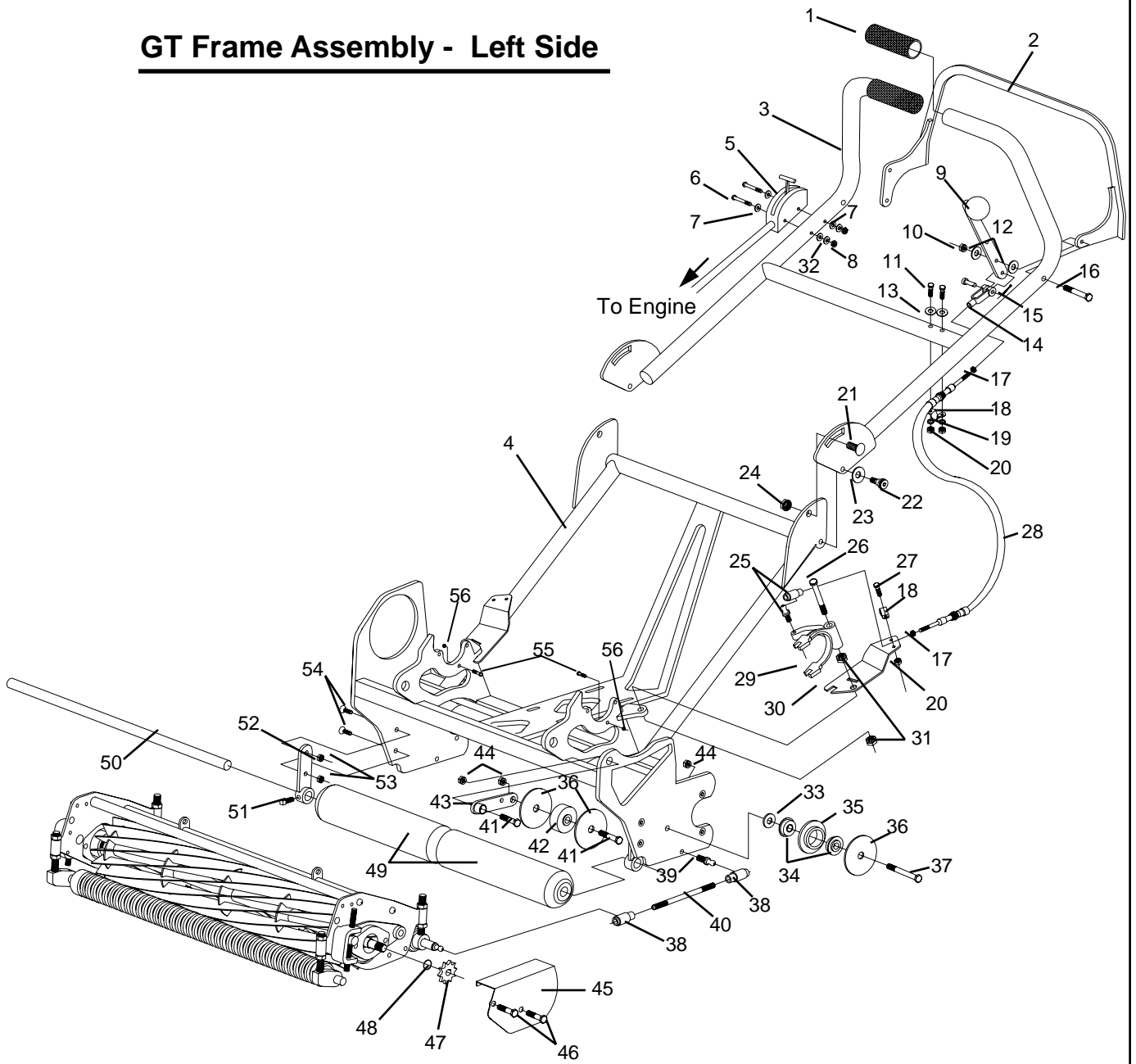
Frame Assembly - Left Side	2
Frame Assembly - Right Side	4
Reel Assembly	6
Verticutter Head Assembly	7
Dual Idler Assembly	8
Clutch Shaft Assembly	9
Drive Roller Assembly	10
Reel Lift Shaft Assembly	11
Grass Catcher	12

HHCS - Hex Head Capscrew

CB - Carriage Bolt

HSRSS - Hex Socket Head Set Screw

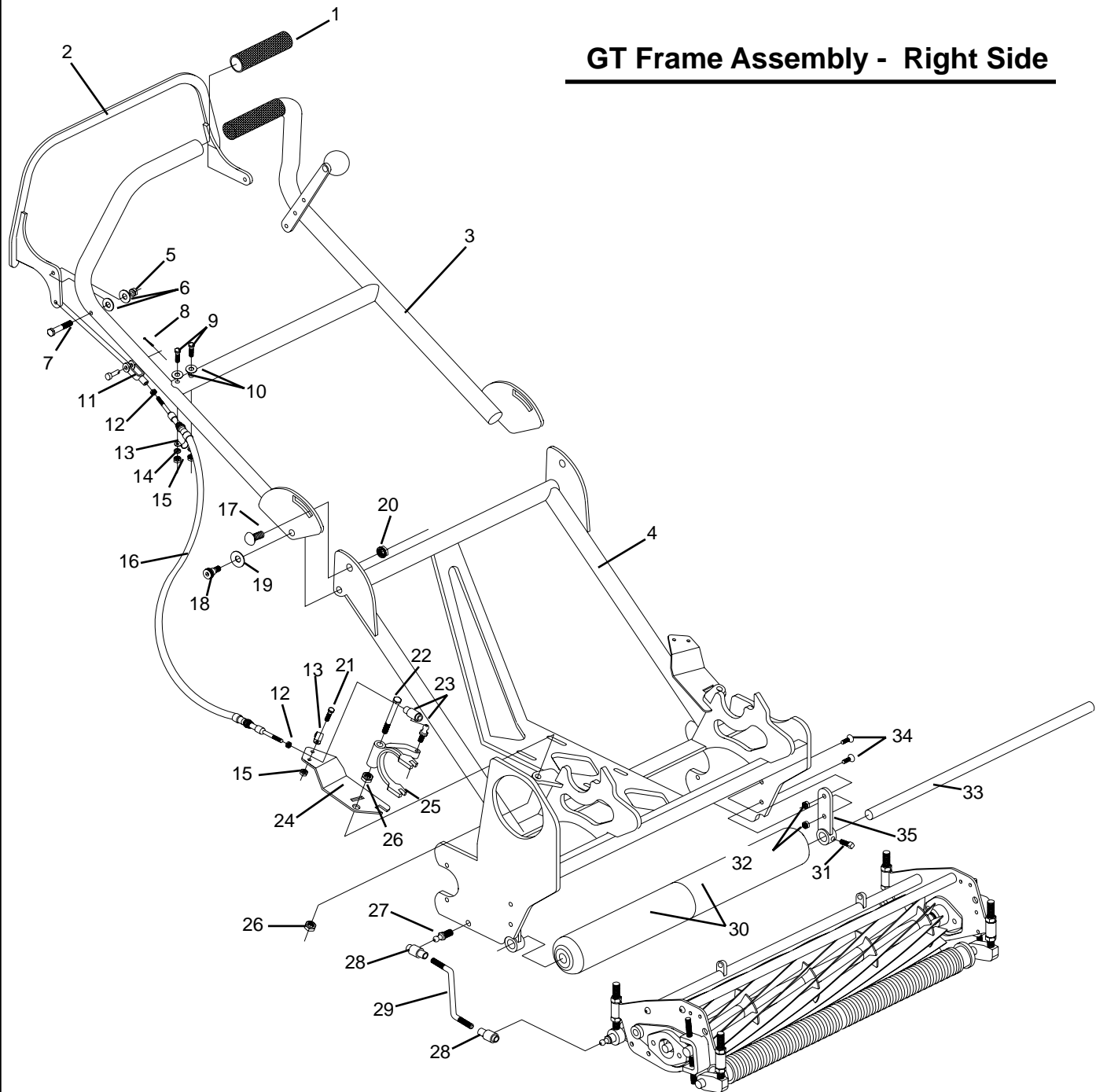
# GT Frame Assembly - Left Side



## GT Frame Assembly - Left Side

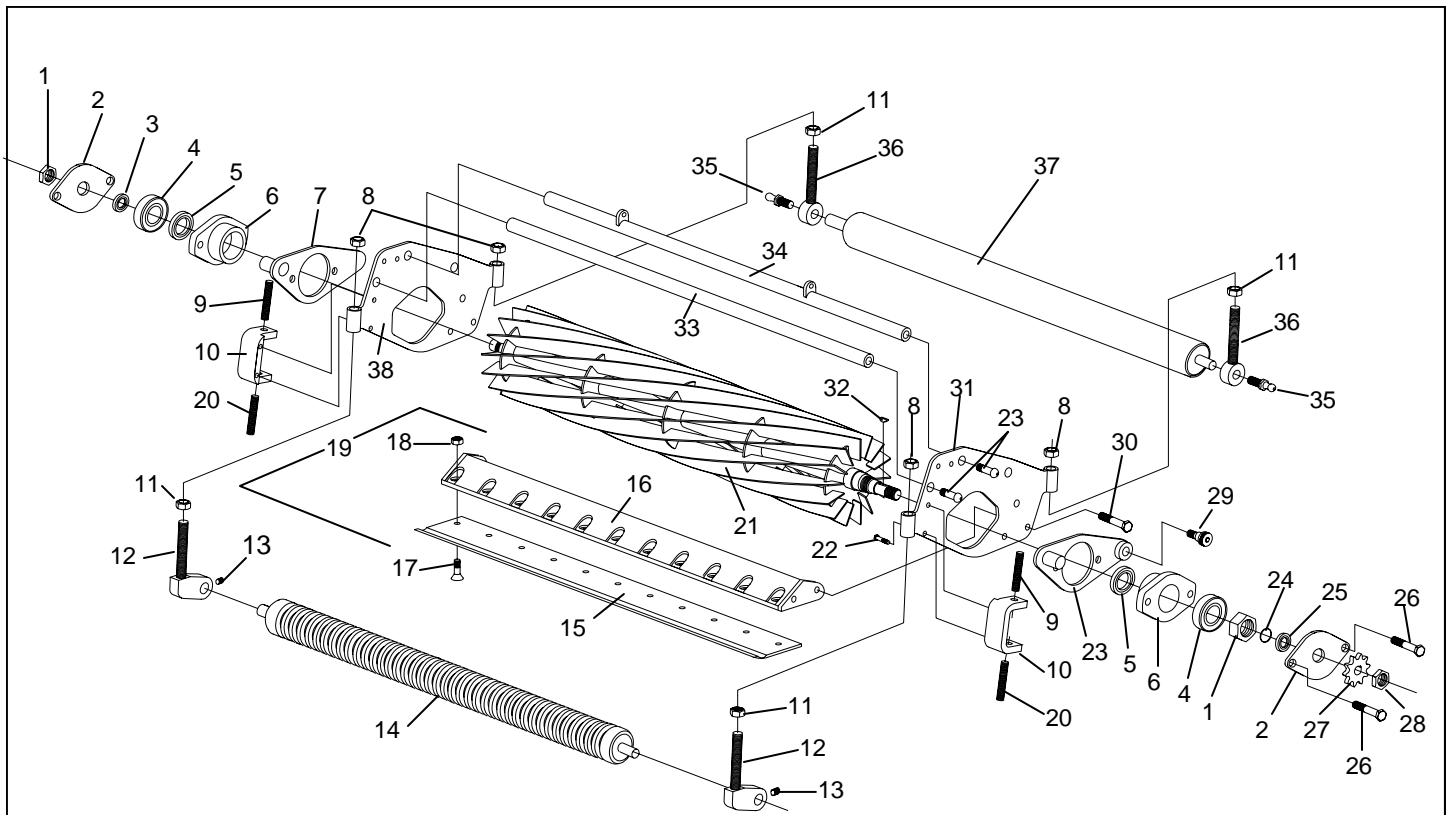
REF. NO.	PART NO.	QTY	DESCRIPTION	REF. NO.	PART NO.	QTY	DESCRIPTION
1	5051	1	Handlebar Grip	29	1210-1	1	Clutch Fork
2	800032	1	Traction Engage Lever	30	800037	1	Lower Cable Mount Left Hand
3	800030	1	Upper Handlebar Weldment	31	44608	2	Jam Nut 1/2"
4	5200GT-26	1	Traction Unit Frame	32	16040600	2	Lockwasher
5	2331	1	Engine Throttle Control	33	778	1	Washer
6				34	1059-B	2	Bearing
7	44632	4	Flatwasher #10 ZP SAE	35	1059SH	1	Chain Idler Shell
8	8350600	2	Hex Nut #10 CP NF	36	5107	3	Chain Guide Disc
9	800039	1	Reel Engage Lever	37	15025	1	HHCS 1/2" x 1-3/4"
10	44601	1	Hex Nut 3/8"-16 Nylock	38	800040	1	Ball Stud Socket
11	2334	2	Stove Bolt #10 -32 x 2"	39	50026825	1	Ball Stud 3/8-24 UNF
12	15915	2	Flatwasher 3/8" ZP	40	800014	1	Driving Link Left
13	44632	2	Flatwasher #10 ZP SAE	41	1060	1	Chain Idler
14	29025	1	Clevis Kit	42	5090	2	HHCS 1/2" x 1-3/4"
15	1893	1	Cotter Pin	43	5088	1	Idler Bracket
16	19055	1	HHCS 3/8"-16 x 3"	44	15554	3	Jam Nut 1/2"-13 CP
17	44709	2	Jam Nut 1/4"-28 CP	45	800015	1	Reel Chain Guard
18	31532	2	Clamp	46	5096	2	Screw
19	16040600	2	Lockwasher #10	47	1563	1	Reel Drive Sprocket
20	8350600	3	Hex Nut #10 CP NF	48	1310	A/R	Reel Shim
21	5161614	1	Carriage Bolt 1/2"-13 x 1-1/2"	49	826012	2	Plastic Roller
22	1126227	1	Strip Bolt 1/2" x 3/8" x 3/8"-16	50	826011	1	Axle
23	50019187	1	Belleville Washer	51	44672	1	Set Screw 3/8" x 1/4"
24	44615	1	Flange Nut 1/2" x 3"	52	800063	1	Roller Bracket
25	32267	1	Ball & Socket Kit	53	15528	2	Hex Nut 5/16"-18 CP
26	17219	1	HHCS 1/2"-20 x 4"	54	44552	2	Hex Soc Flt Csk Hd Cpse 5/16-18
27	44561	1	HHCS #10 x 1/2"	55	15086	2	HHCS 5/16"-18 x 1-1/4"
28	800035	1	Clutch Cable Assembly	56	774-J	2	Jam Nut 5/16"-18

# GT Frame Assembly - Right Side



## GT Frame Assembly - Right Side

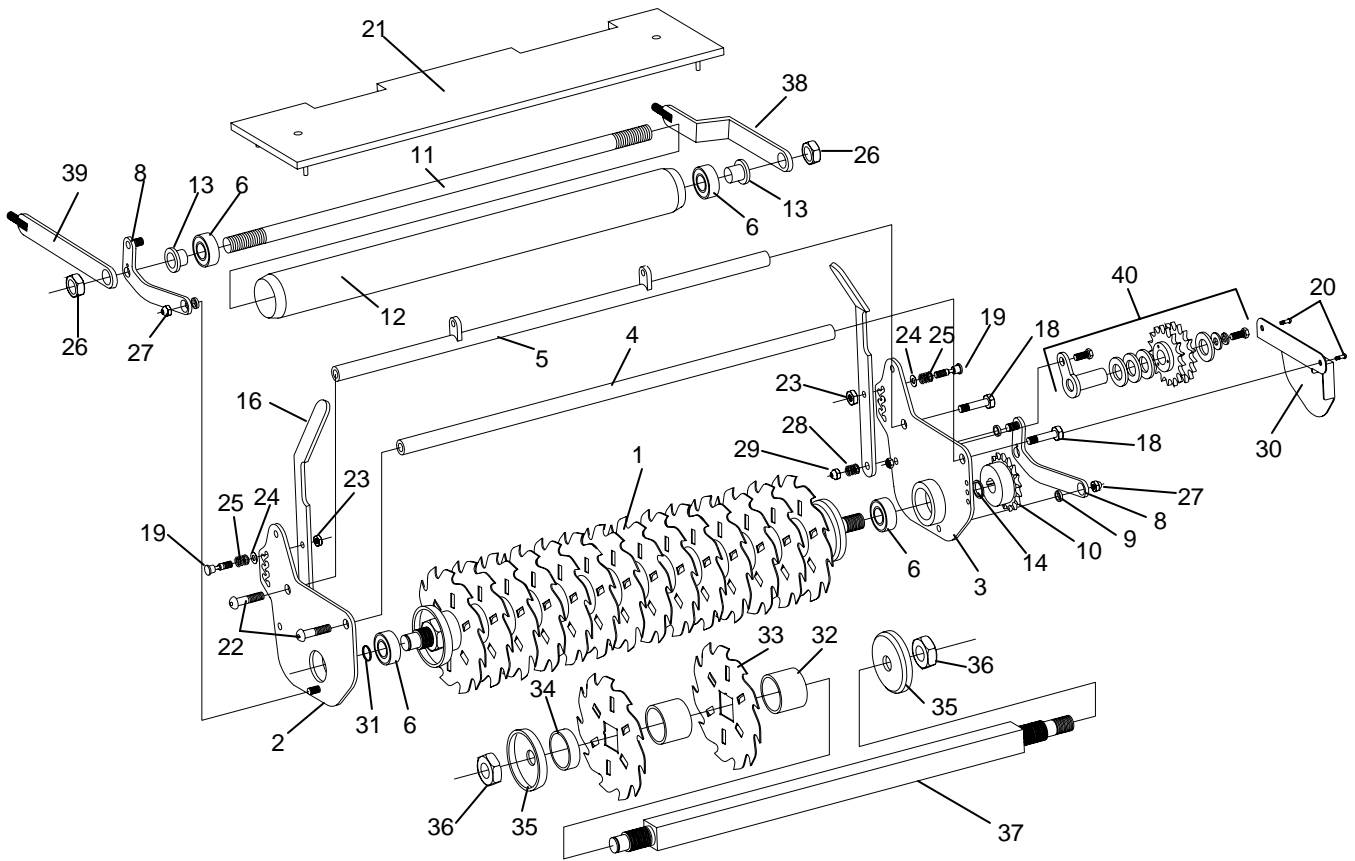
REF. NO.	PART NO.	QTY	DESCRIPTION
1	5051	1	Handlebar Grip
2	800032	1	Traction Engage Lever
3	800030	1	Upper Handlebar Weldment
4	5200GT-26	1	Traction Unit Frame
5	44601	1	Hex Nut 3/8"-16 Nylock
6	15915	2	Flatwasher 3/8" ZP
7	20048	1	HHCS 3/8"-16 x 2-1/4"
8	1893	1	Cotter Pin
9	2334	2	Stove Bolt #10 -32 x 2"
10	44632	2	Flatwasher #10 ZP SAE
11	29025	1	Clevis Kit
12	44709	2	Jam Nut 1/4"-28 CP
13	31532	2	Clamp
14	16040600	2	Lockwasher #10
15	8350600	3	Hex Nut #10 CP NF
16	800035	1	Clutch Cable Assembly
17	5161614	1	Carriage Bolt 1/2"-13 x 1-1/2"
18	1126227	1	Strip Bolt 1/2" x 3/8" x 3/8"-16
19	50019187	1	Belleville Washer
20	44615	1	Flange Nut 1/2" x 3"
21	44561	1	HHCS #10 x 1/2"
22	17219	1	HHCS 1/2"-20 x 4"
23	32267	1	Ball & Socket Kit
24	800036	1	Lower Cable Mount Right Hand
25	1210-1	1	Clutch Fork
26	44608	2	Jam Nut 1/2"
27	50026825	1	Ball Stud 3/8-24 UNF
28	800040	1	Ball Stud Socket
29	800020	1	Driving Link Right
30	826012	2	Plastic Roller
31	44672	1	Set Screw 3/8" x 1/4"
32	15528	2	Hex Nut 5/16"-18 CP
33	826011	1	Axle
34	44552	2	Hex Soc Flt Csk Hd Cpse 5/16-18
35	800003	1	Roller Bracket



### GT Reel Assembly

REF. NO.	PART NO.	QTY	DESCRIPTION	REF. NO.	PART NO.	QTY	DESCRIPTION
1	44363	2	Jam Nut 7/8"-14 Nylock	20	50041420	2	Sq Hd Set Screw 3/8"-16 x 2"
2	50040042	2	Seal Plate	21	826003	1	Reel Weldment 14 Blade Multiple Reels Available
3	50026305	1	Seal, End Cap .625 ID	22	24237	4	Hex Soc Flt Csk 1/4"-28 x 5/8"
4	50019553	2	Bearing 1.00 ID x 2.00 OD	23	50041391	1	Bearing Housing Adapter Weld LH
5	50026861	2	Seal, Oil 1.565 OD x 1.125 ID x .25 W	24	50041421	1	Spiroloc Retaining Ring
6	50040035	2	Modified Bearing Housing	25	800001	1	Seal
7	50040021	1	Bearing Housing Weldment RH	26		4	Bolt
8	8151600	4	Hex Nut 1/2"	27	1563	1	Sprocket 10 Teeth
9	50041419	2	Sq Hd Set Screw 3/8"-16 x 1-1/2"	28	15653	1	Jam Nut 5/8"
10	50040025	2	Standard Adjuster Bracket	29	1126227	2	Shoulder Bolt 1/2" x 3/8" x 3/8"-16
11	15519	4	Jam Nut 1/2"-13	30	24253	4	Hex Soc Flt Csk 5/16"-18 x 5/8"
12	800006	2	Offset Front Roller Bracket Weldment	31	5050012	1	End Plate Weldment LH GT-126
13	3117	2	Set Screw 1/4"-28 x 3/8"		822007	1	End Plate Weldment LH GT-122
14	826005	1	26" Grooved Front Roller Assembly	32	20593	1	Woodruff Key
		1	22" Grooved Front Roller Assembly	33	50040020	1	26" Spacer Bar
15	826004	1	26" Bedknife		822008	1	22" Spacer Bar
	50023559	1	22" Bedknife	34	826018	1	26" Spacer Bar with Tabs
16	50040016	1	26" Bed Bar		822009	1	22" Spacer Bar with Tabs
	822003	1	22" Bed Bar	35	50026825	2	Ball Stud 3/8"-24
	50041417	11	Hex Sec Flt Csk Cpsc 1/4" x 3/4"	36	50040025	2	Standard Adjuster Bracket
17	50041417	11	Hex Sec Flt Csk Cpsc 1/4" x 3/4"	37	626008	1	26" Smooth Rear Roller
18	44566	11	Hex Nut 1/4"-20 Nylock			1	22" Smooth Rear Roller
19	826013	1	26" Bedbar Assembly	38	50040017	1	End Plate Weldment RH GT-126
	822004	1	22" Bedbar Assembly		822006	1	End Plate Weldment RH GT-122

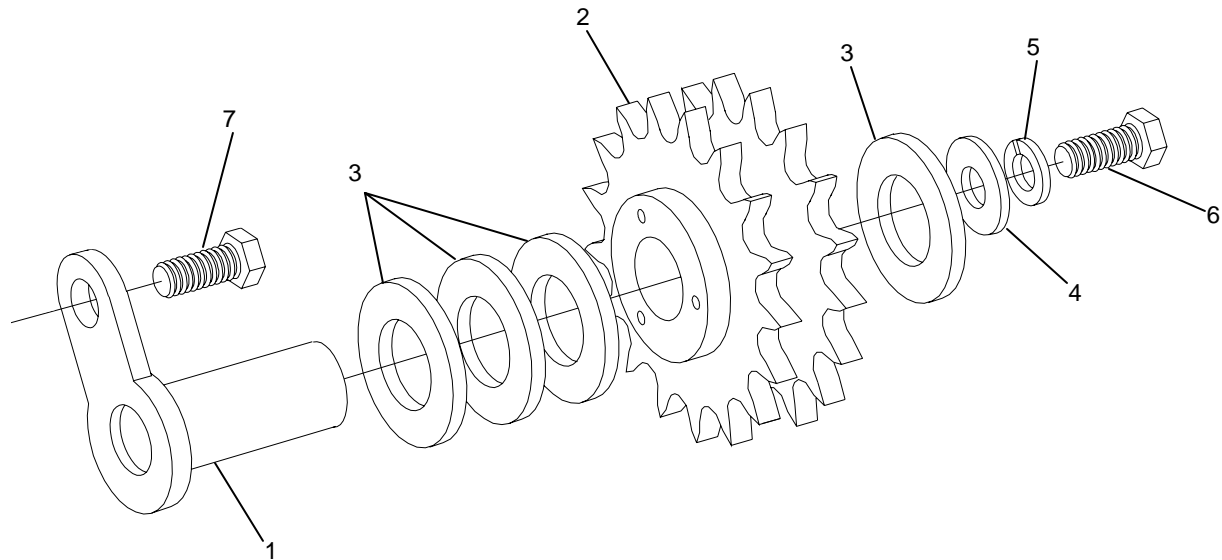




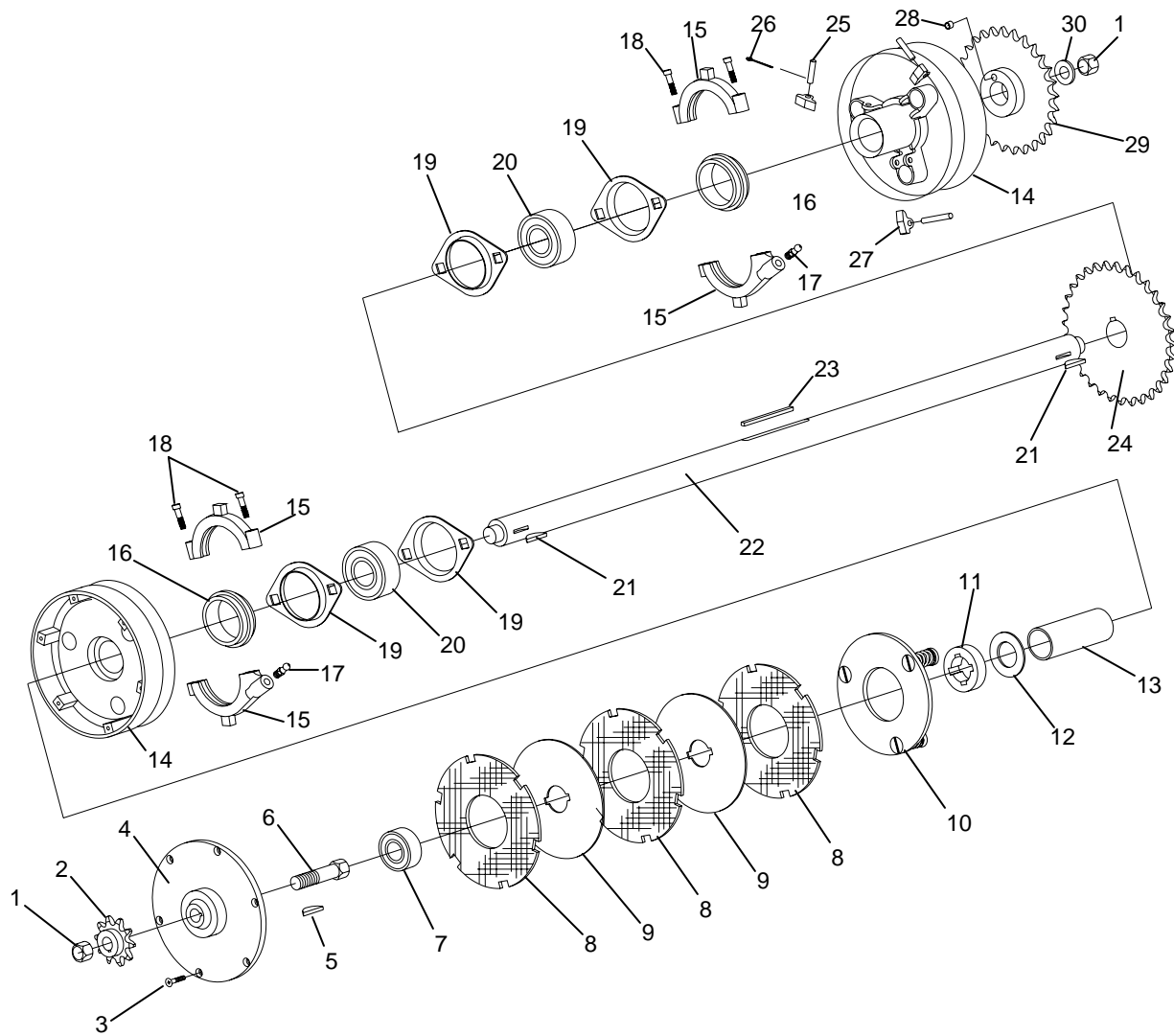
### GT Verticutter Head Assembly

### Only Available on the GT-126

REF. NO.	PART NO.	QTY	DESCRIPTION	REF. NO.	PART NO.	QTY	DESCRIPTION
1	111014	1	Cutting Head 3/8" Spacing	21	111040	1	Shield
		1	Cutting Head	22	5047	2	Button Hd 1/2"-13 x 1"
2	111002	1	End Plate RH Locke Verticutter	23	15501	2	Hex Nut 5/16"-24
3	111001	1	End Plate LH Locke Verticutter	24	5091	2	Belleville Washer
4	5033-25	1	Spacer Bar 25"	25	5066	2	Spring
5	111007	1	Bracing Bar, Rear GT Verticutter	26	44604	2	Shoulder Screw 1/2", 3/8"-16 x 1"
6	50026271	4	Bearing 47mm x 20mm	27	724-J	2	Jam Nut 3/8"-24
7	5021R	1	Rear Roller Height Arm RH	28	729	2	Spring
8	5021L	1	Rear Roller Height Arm LH	29	5084	2	Jam Nut 3/8"-24 Nylon
9	5046	2	Bushing .5"ID x .625"OD	30	111008	1	Chain Guard
10	1238	1	Sprocket 17 Teeth	31	80434	1	Snap Ring
11	111025	1	Rear Roller Shaft	32	111012	49	Blade Spacer
12	5104-25	1	Roller Tube	33	111009	50	Blade
13	111039	2	Roller Bearing Adapter Bushing	34	500098	2	Bade End Spacer
14	1310	AR	Shim	35	50022381	2	Shaft Washer
15	5034L	1	Handle LH	36	15614	1	Jam Nut 1"-14
16	5034R	1	Handle RH	37	500094	1	Verticutter Shaft
17	5037	2	Bushing 60°	38	111036	1	Link Arm Weld. LH Offset
18	5114	2	Special HHCS 1/2"-13 x 1-1/4"	39	111037	1	Link Arm Weld. RH
19	5038	2	Pin, Quick Adjust	40	111028	1	Duel Idler Sprocket Assembly
20	5010	2	Round Head Slot Brass Screw 1/4"-28				(See Next Page For Breakdown)
					111029	1	Secondary Drive Chain (Not Shown)

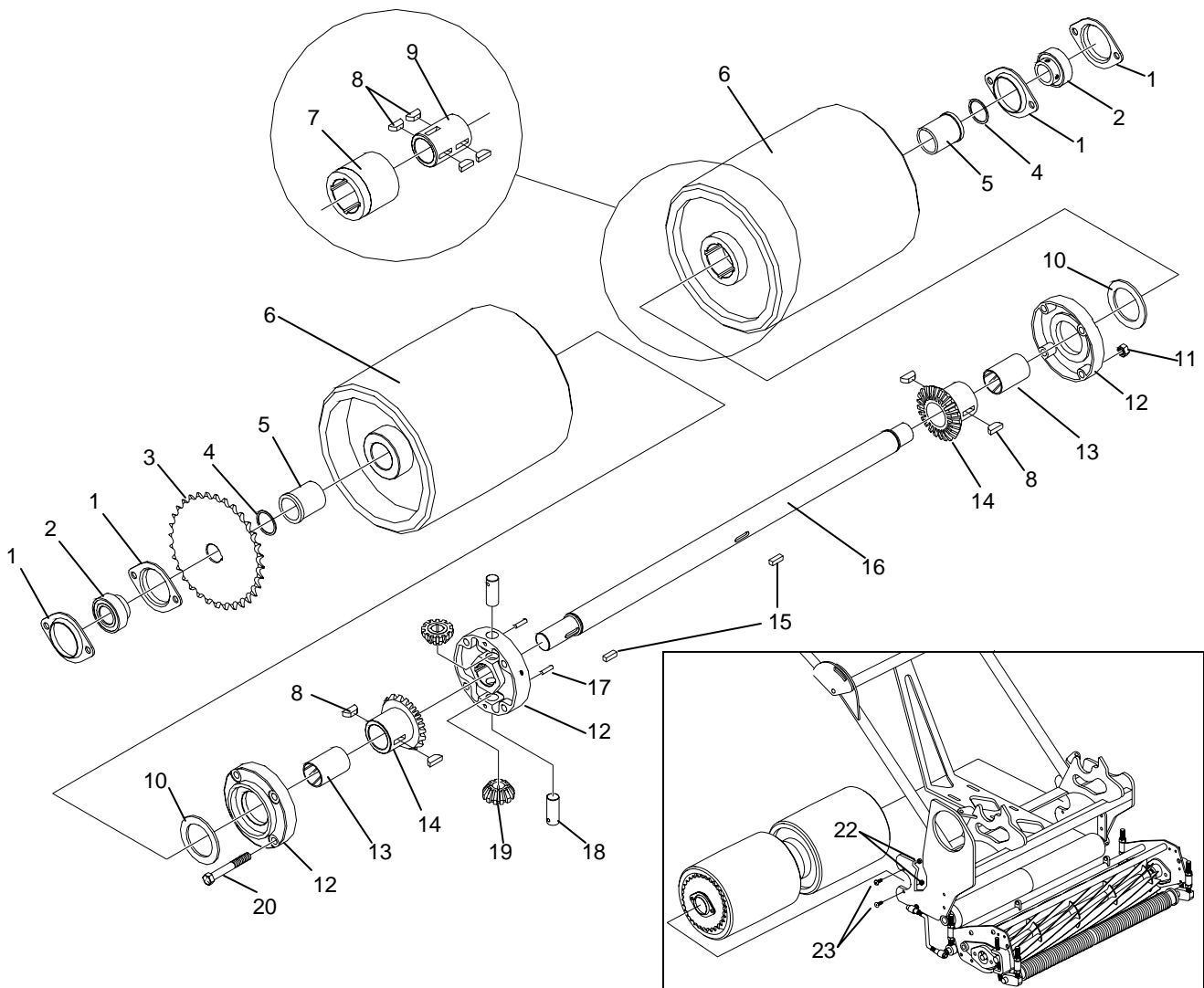


REF. NO.	PART NO.	QTY	DESCRIPTION
1	111035	1	Idler Sprocket Arm Weld.
2	111033	1	Modified Sprocket Assembly
3	50022409	4	Wheel Washer 3/4" ID
4	15907	1	Flatwasher 5/16"
5	15808	1	Lockwasher 5/16"
6	1161006	1	HHCS 5/16-18 x 3/4"
7	44721	1	HHCS 3/8"-16 x 3/4"



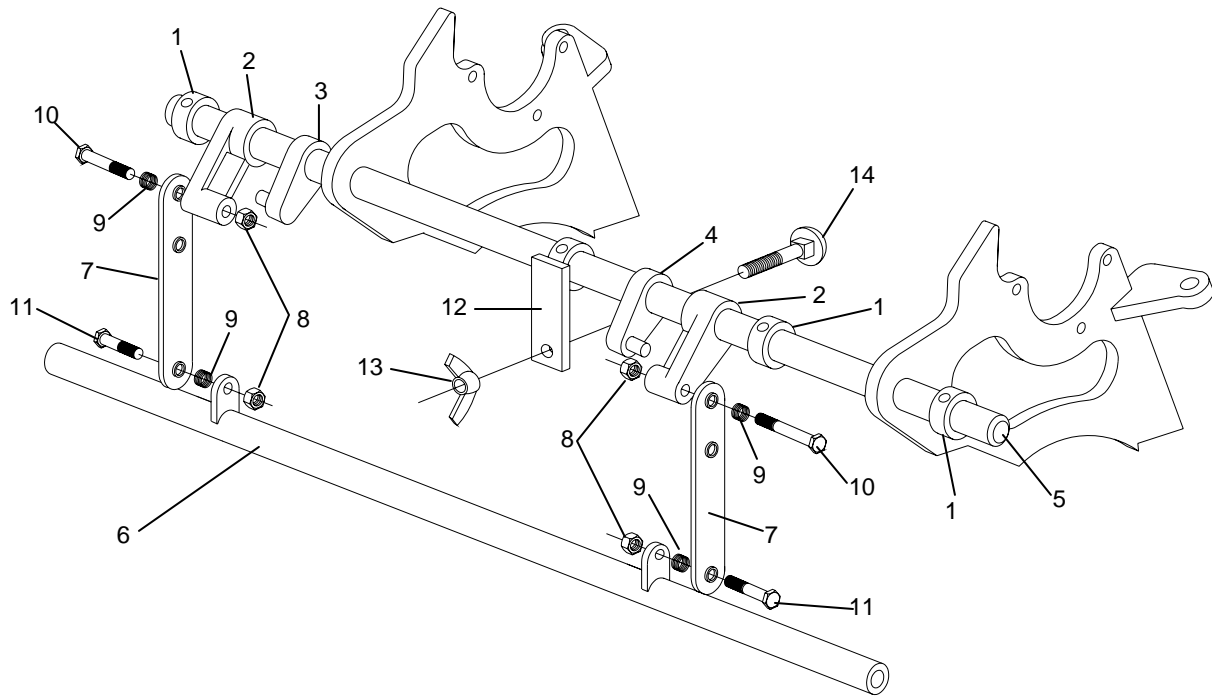
### Clutch Shaft Assembly

REF. NO.	PART NO.	QTY.	DESCRIPTION	REF. NO.	PART NO.	QTY.	DESCRIPTION
1	777	2	Hex Nut 1/2"-20 UNF	16	5086	2	Clutch Cone
2	1217	1	Sprocket, 10T	17	449	2	Grease Fitting
3	44560	6	Flat Head Screw	18	796	4	Fillister Head Screw
4	955	2	Clutch Cover Plate	19	5061	4	Bearing Flange
5	776	2	Key	20	5003	2	Bearing
6	775	2	Clutch Sprocket Stud	21	768	4	Key
7	1164	2	Bearing	22	5007-25	1	Clutch Shaft, 25"
8	959-M	6	Metallic Friction Disc		5007-30	1	Clutch Shaft, 30"
9	5024	4	Clutch Plate		5007-36	1	Clutch Shaft, 36"
10	5105	2	40# Pressure Plate	23	3598	1	Key
11	5040	2	Key Retainer	24	5009	1	Sprocket, 32T
12	784	2	Thrust Washer	25	792	6	Pin
13	2147	2	Bushing	26	1891	6	Cotter Pin
14	1165	2	Clutch Housing	27	1398	6	Clutch Dog
15	795-B	2	Bronze Thrust Collar	28	781	1	Key
				29	1237	1	Sprocket, 28T



### Drive Roller Assembly

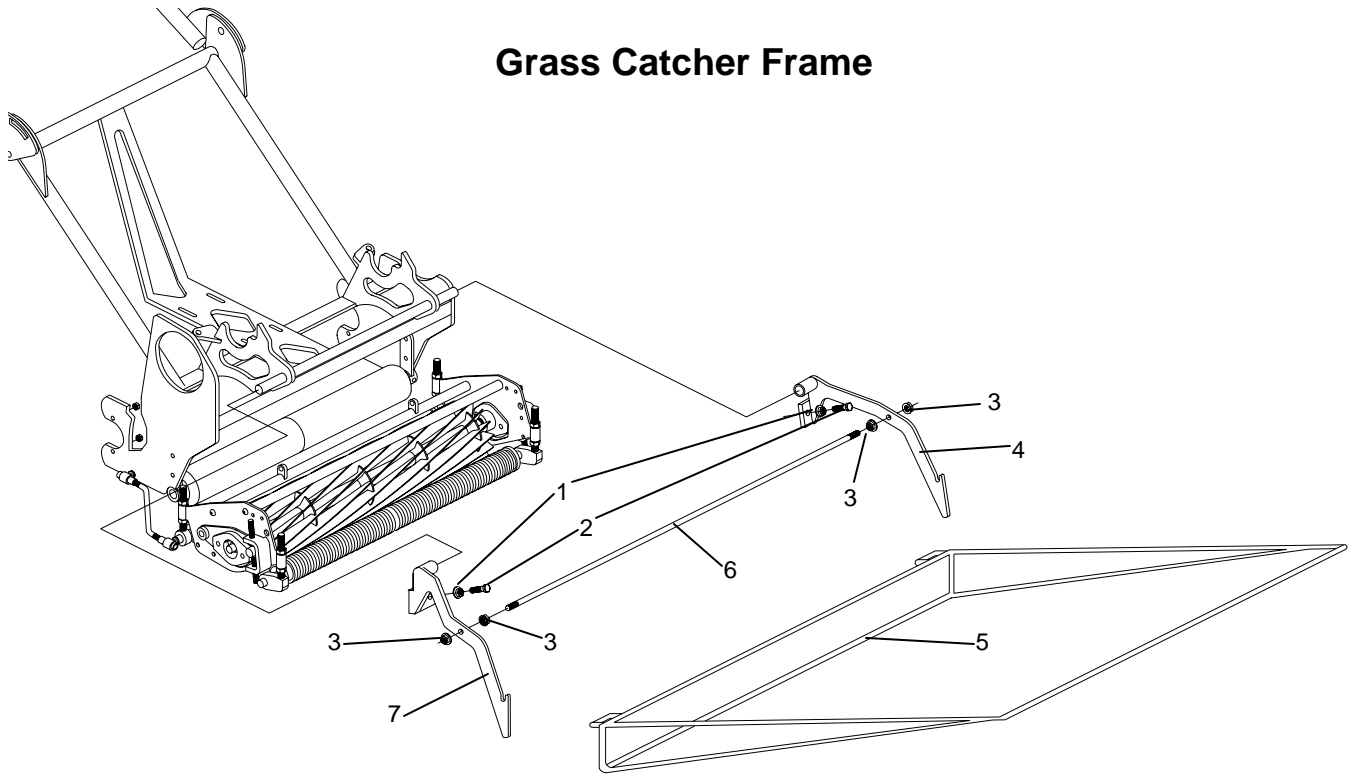
REF. NO.	PART NO.	QTY	DESCRIPTION	REF. NO.	PART NO.	QTY	DESCRIPTION
1	5061	4	Bearing Flange	13	1830-1	2	Bushing
2	5003	2	Bearing	14	849-P	2	Keyed Differential Bevel Gear
3	5011	1	Sprocket, 40 Teeth	15	1772	2	Key 1/4" x 1/4" x 3/4"
4	5074	2	Axle Snap Ring	16	5005-25	1	25" Axle
5	842	2	Bushing	17	716	2	Pin
6	5082	2	Smooth Traction Roller	18	851	2	Differential Bevel Pinion Stud
7	5062	2	30" Roller Extension	19	850	2	Differential Bevel Pinion
8	768	4	Key	20	855	4	HHCS 2/8"-24 x 2-3/4"
9	1505	2	Keyed Sleeve	21	1879	1	Grease Fitting
10	1378	2	Washer	22	15528	4	Hex Nut 5/16"-18
11	15597	4	Hex Nut 3/8"-24	23	44552	4	Hex Soc Flt Csk 5/16"-18 x 1"
12	854	2	Differential Side Plate				



### Lift Shaft Assembly

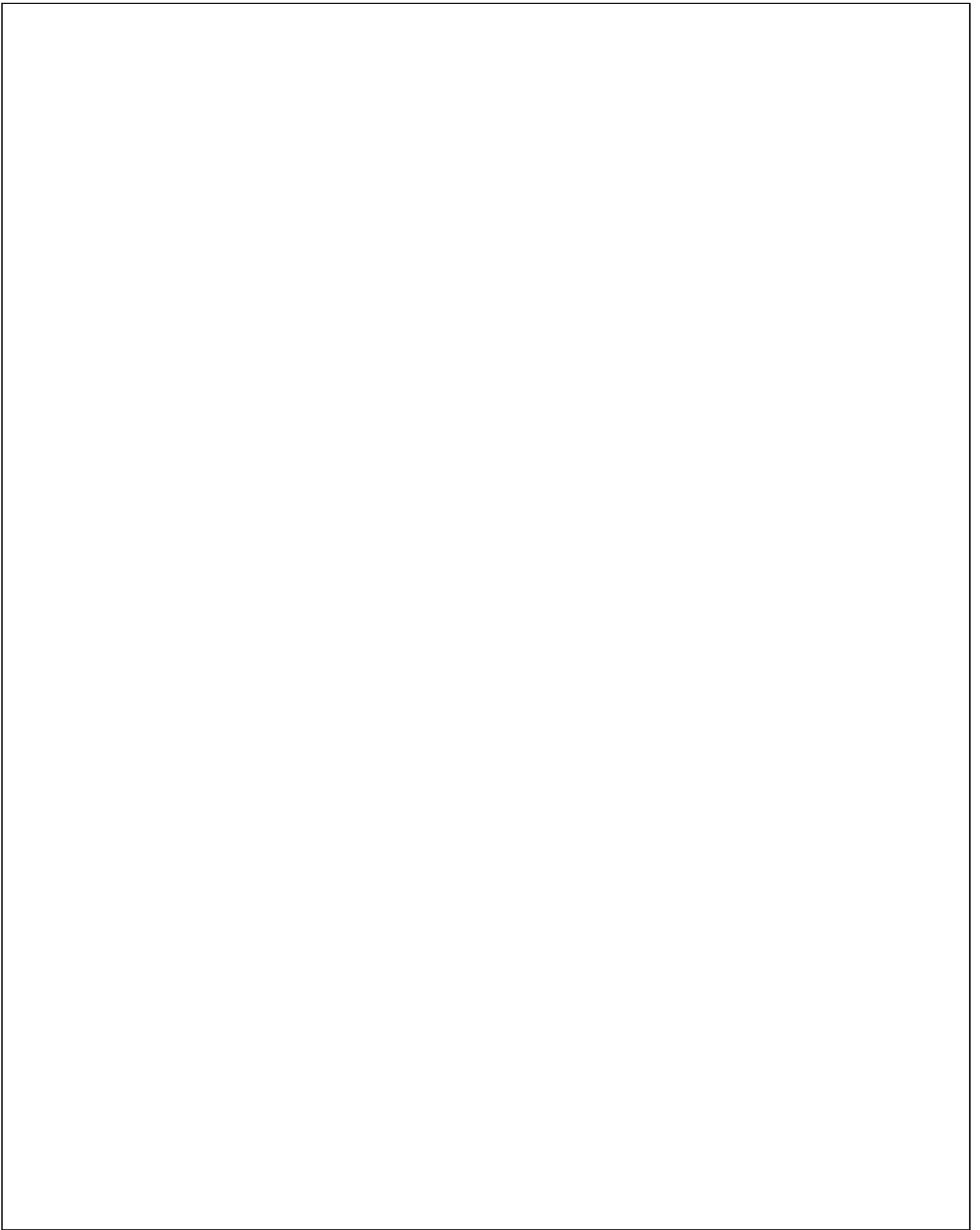
REF. NO.	PART NO.	QTY	DESCRIPTION
1	3270-1	3	Shaft Collar
2	5065	2	Reel Lift Arm
3	5063L	1	Left Lift Collar
4	5063R	1	Right Lift Collar
5	5060-30	1	30" Lift Shaft
6	826018	1	26" Rear Spacer Bar
	822009	1	22" Rear Spacer Bar
7	906-1	2	Carrying Link
8	44601	4	Hex Nut 3/8"-16 Nylock
9	729	4	Spring
10	44174	2	HHCS 3/8"-16 x 1-3/4"
11	892-1	2	HHCS 3/8"-16 x 1-1/2"
12	800018	1	Turn Stop Weldment
13	11151000	1	Wing Nut 5/16"

## Grass Catcher Frame



### 500088 - Grass Catcher Frame Kit

REF. NO.	PART NO.	QTY	DESCRIPTION
1		2	
2		2	
3		4	
4	800043	1	GT Grass Catcher Frame Weldment, LH
5	500149	1	GT Grass Catcher Basket Frame
6	800046	1	GT Grass Catcher Bracing Rod
7	800042	1	GT Grass Catcher Frame Weldment, RH
	800046	1	GT Grass Bag (Not Shown)





**Locke Turf**  
**307 Highway 52E • Opp, Alabama 36467 • 334-493-1300**