



Trailer Sprayer TR-30



Parts Manual

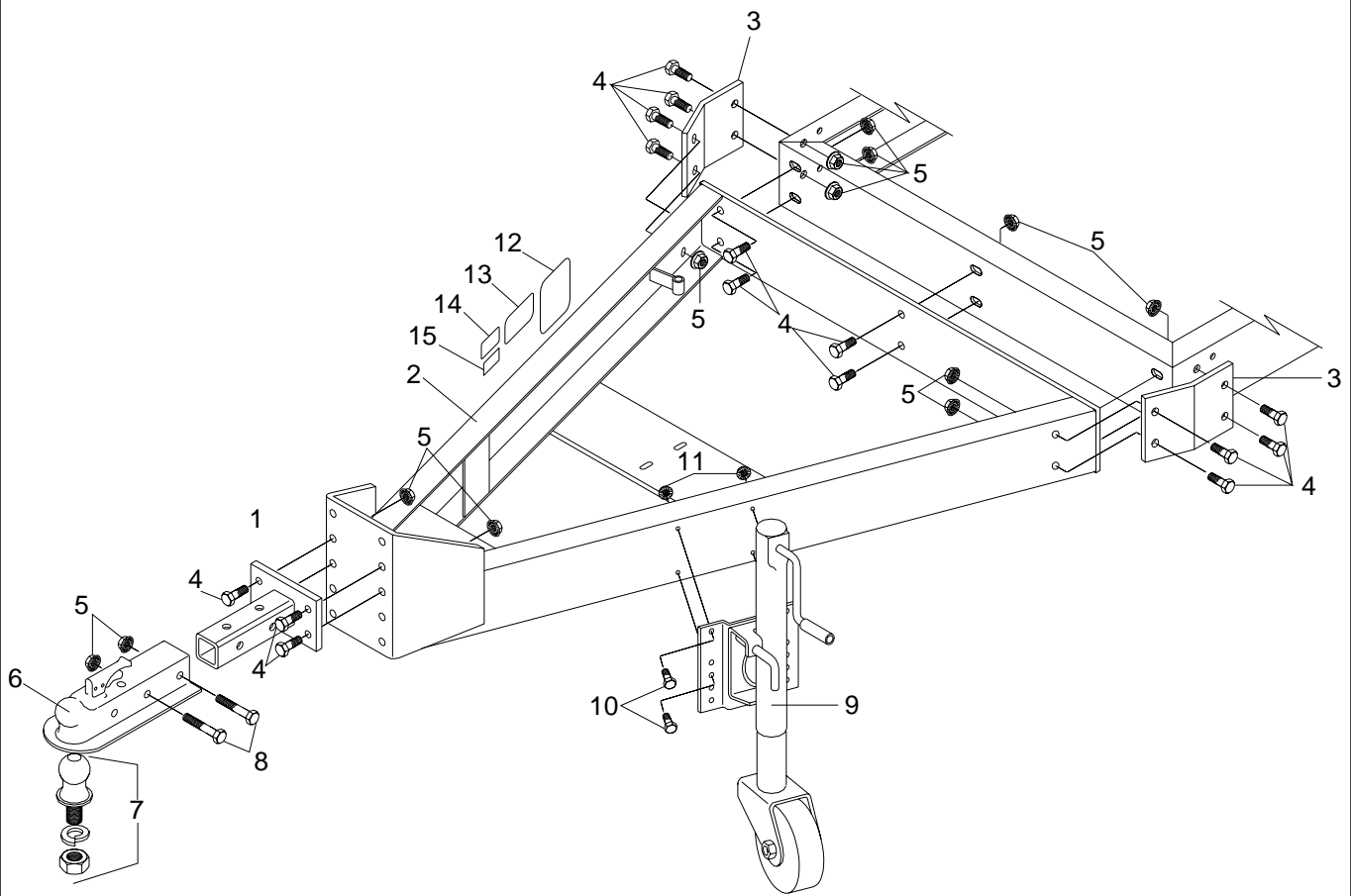
Locke Turf

307 Highway 52E Opp, Alabama 36467 (334) 493-1300

Trailer Sprayer

Table of Contents

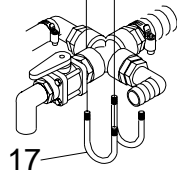
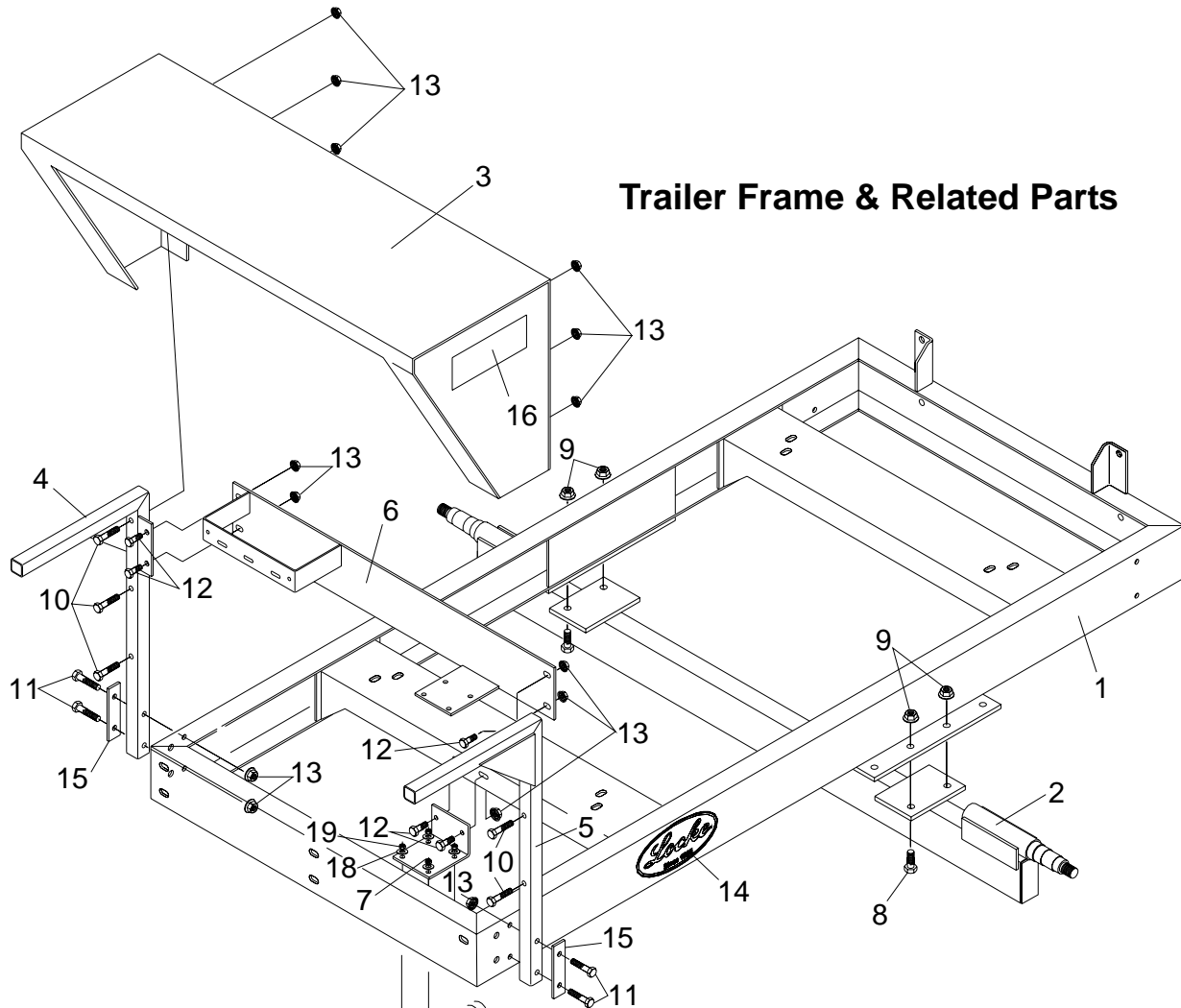
SECTION	CONTENT	PAGE
11-1	Frame & Related Parts	
	Tongue & Related Parts	1-1
	Trailer Frame & Related	1-2
	Hub & Tire	1-3
	Tank & Related Parts	1-4
	Hand Wash	1-5
11-2	Plumbing & Related Parts	
	Anti-Siphon Assembly	2-1
	Engine Drive-Pump & Related Parts	2-2
	PTO Drive Pump & Related Parts	2-3
	Spray Controls & Related Parts	2-4,2-5
11-3	Spray Control Kits	
	Economy Sprayer Control Kit	3-1
	Sprayer Control Housing	3-2
	Sprayer Control Box Mount	3-3
	Deluxe Sprayer Control Kit	3-4
11-4	Boom & Related Parts	
	Center Section, Level Float Boom	4-1
	Boom Arm	4-2
	Center Section, Electric Boom	4-3
	Inner Arm Section, Electric	4-4
	Boom Arm Components, Electric	4-5, 4-6
	Inner Arm Hinge and Cable, Electric	4-7, 4-8
	Spray Kits / Single Nozzle	4-9
	Spray Kits / Triple Nozzle	4-10
11-5	Options	
	Foam Marker Assembly	5-1
	Spray Gun Assembly	5-2
	Manual Hose Reel	5-3
	Electric Hose Reel	5-4
	Walking Boom Frame	5-5
	Walking Boom Spray Attachment	5-6
	Speedometer Kit, Low Speed	5-6



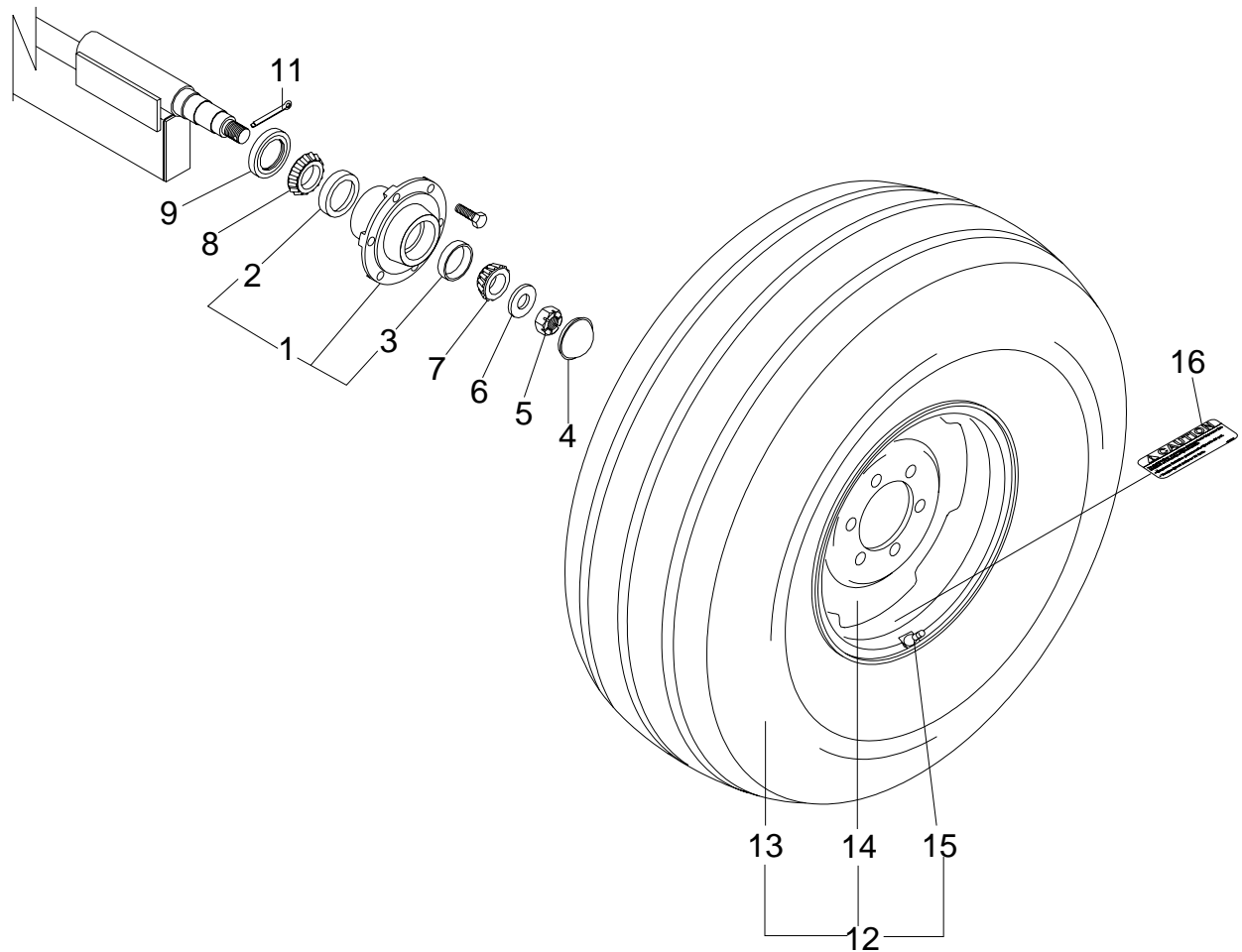
Tongue & Related Parts

REF. NO.	PART NO.	QTY	DESCRIPTION
1	50022507	1	Hitch Stub Weld.
2	50022913	1	Tongue Weld. w/Decals
3	50022528	2	Splice Plate
4	15093	22	HHCS 1/2" x 1-1/4" G5
5	44615	24	Hex Nut 1/2" Flanged Serrated
6	50022591	1	Coupler 2"
7	50022589	1	2" Ball Assy.
8	20864	2	HHCS 1/2" x 3" G5
9	50022588	1	Jack Assy.
10	20034	4	HHCS 3/8" x 1" G5
11	44621	4	Hex Nut 3/8" Flanged Serrated
12	50022582	1	Danger Decal
13	50022583	1	Caution Decal
14	50022581	1	Notice Decal
15	50022067	1	Flag Decal

Trailer Frame & Related Parts

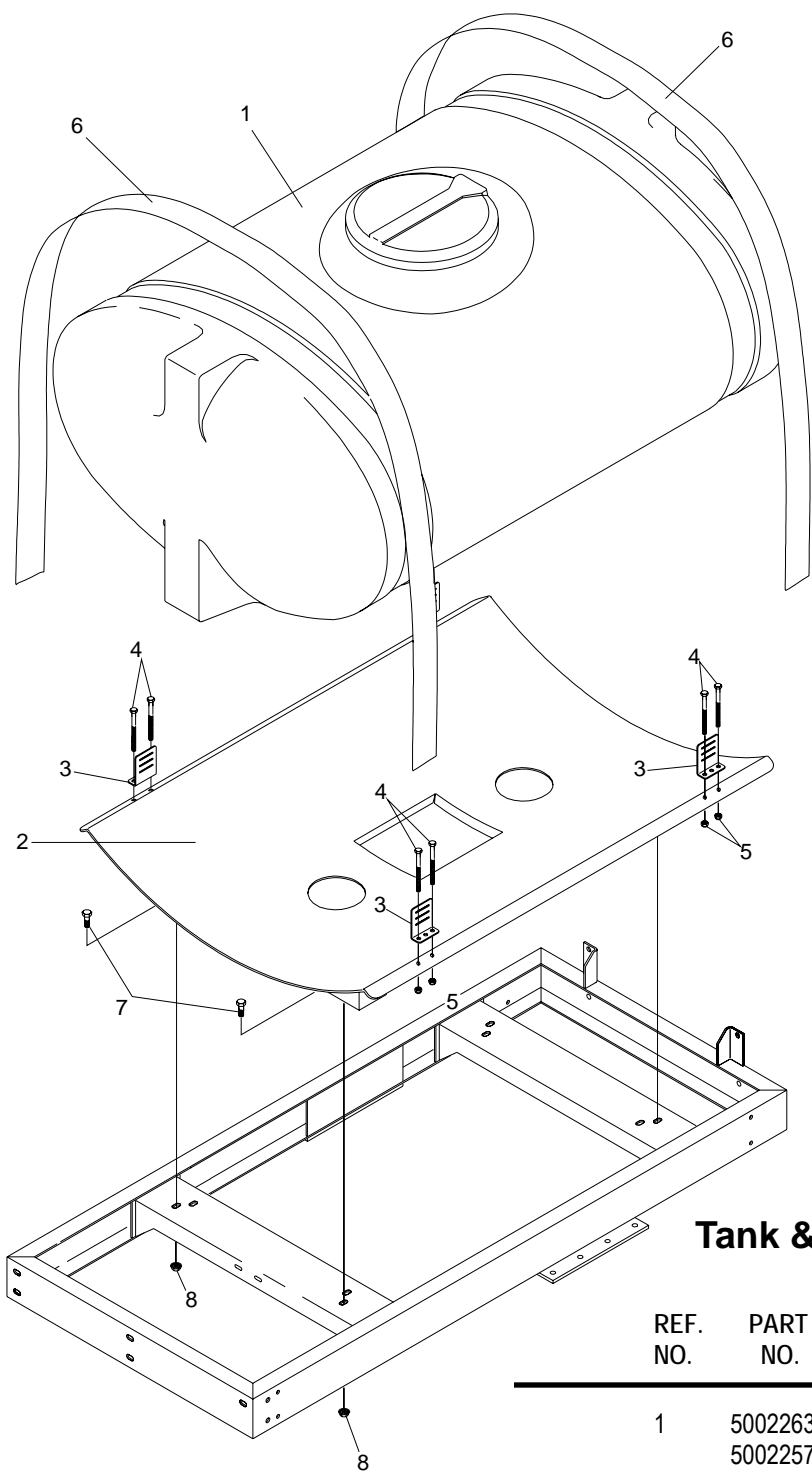


REF. NO.	PART NO.	QTY	DESCRIPTION
1	50022523	1	Frame Weld.
2	50022546	1	Axle Weld.
3	50022554	1	Hood Weld.
4	50022559	1	Post Weld. RH
5	50022560	1	Post Weld. LH
6	50022574	1	Plumbing Mount Weld.
7	50022570	1	Cross Mount
8	44094	12	HHCS 1/2" x 1-1/4" G5
9	44615	4	Hex Nut 1/2" Flanged Serrated
10	1161200	6	HHCS 3/8" x 2" G5
11	20048	4	HHCS 3/8" x 2-1/4" G5
12	20034	6	HHCS 3/8" x 1"
13	44621	20	Hex Nut 3/8" Flanged Serrated
14	500033	2	Locke Turf Decal
15	50022540	2	Reinforcing Plate
16		2	TR-30P Decal
17	50026283	2	U-Bolt 5/16"-18 x 2-7/16" x 3-1/2"
18	44553	4	Nylock 5/16"-18
19	15907	4	Flatwasher 5/16"



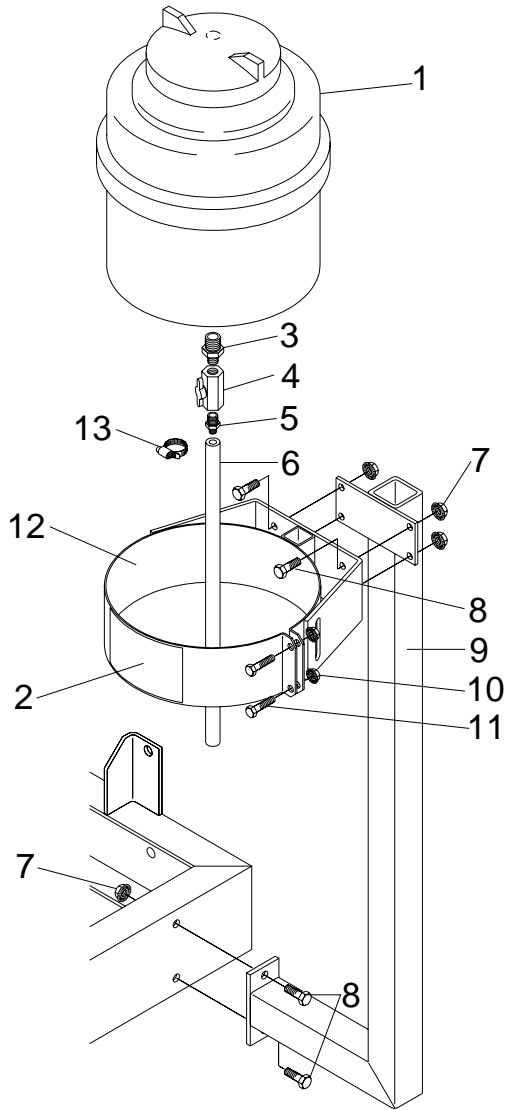
Hub & Tire

REF. NO.	PART NO.	QTY	DESCRIPTION
1	50023954	2	Hub w/Bearing Cups
2	14-6-242	4	Bearing Cup (Inner)
3	14-6-197	4	Bearing Cup (Outer)
4	50023953	1	Hub Cap
5	20429	2	Castle Nut 7/8" NF
6	20571	2	Flatwasher 7/8"
7	50076	2	Bearing (Inner)
8	14-6-241	2	Bearing (Outer)
9	3750020	2	Seal
10	50023951	12	Lug Bolt 1/2" x 20
11	15675	2	Cotter Pin 5/32" x 1-1/2"
12	50022527	2	Wheel & Tire Assy.
13	50022525	1	Wire 31 x 1.35 x 15
14	50022524	1	Wheel 15 x 10 -6 Bolt
15	50022526	1	Valve Stem
16	50022584	1	Caution Decal



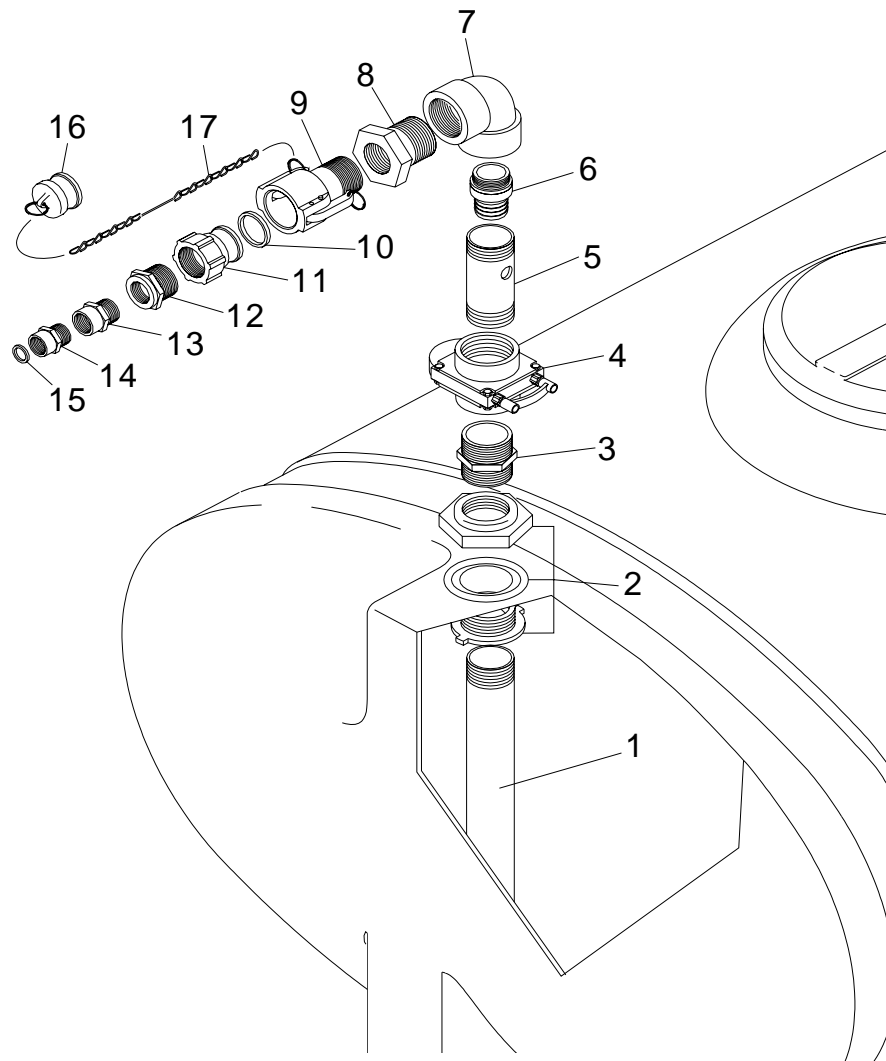
Tank & Related Parts

REF. NO.	PART NO.	QTY	DESCRIPTION
1	50022635	1	Poly Tank 200 Gallon
	50022579	1	Poly Tank 300 Gallon
2	50022992	1	Saddle - For 200 Gallon
	501012	1	Saddle - For 300 Gallon
3	50022569	4	Bracket, Webbing Strap
4	44622	8	HHCS 3/8" x 5" G5
5	44599	8	Hex Nut 3/8" Nylock
6	50022595	1	Nylon Strap (Enough for 3 Straps)
7	44094	4	HHCS 1/2" x 1-1/4" G5
8	44615	4	Hex Nut, Flanged Serrated 1/2"



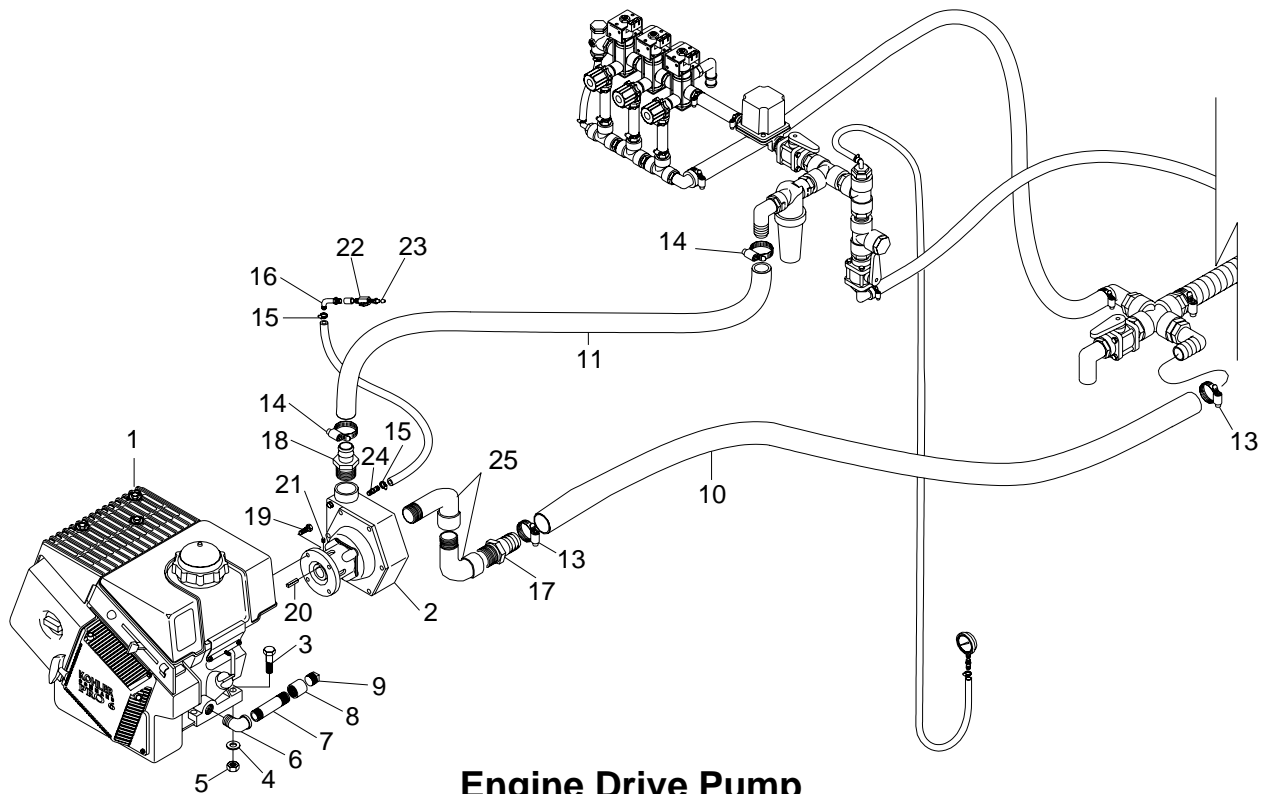
Handwash Parts

REF. NO.	PART NO.	QTY	DESCRIPTION
1	50022577	1	3 Gal. Poly Tank w/Lid
2	50022580	1	Decal
3	50022587	1	Adapter 3/4" MNPT x 1/2" MNPT
4	50022585	1	Valve Ball 1/2" FNPT
5	50022586	1	Adapter 1/2" MNPT x 3/8" MNPT
6	50022593	1	Hose 3/8"
7	44621	6	Hex Nut Serrated Flanged
8	20034	6	HHCS 3/8" x 1"
9	50022512	1	Handwash Post Weld.
10	44623	2	Hex Nut 5/16" Flanged
11	20011	2	HHCS 5/16" x 1-1/2" G5
12	50022564	1	Bracket Weld.
13	50022713	1	Clamp



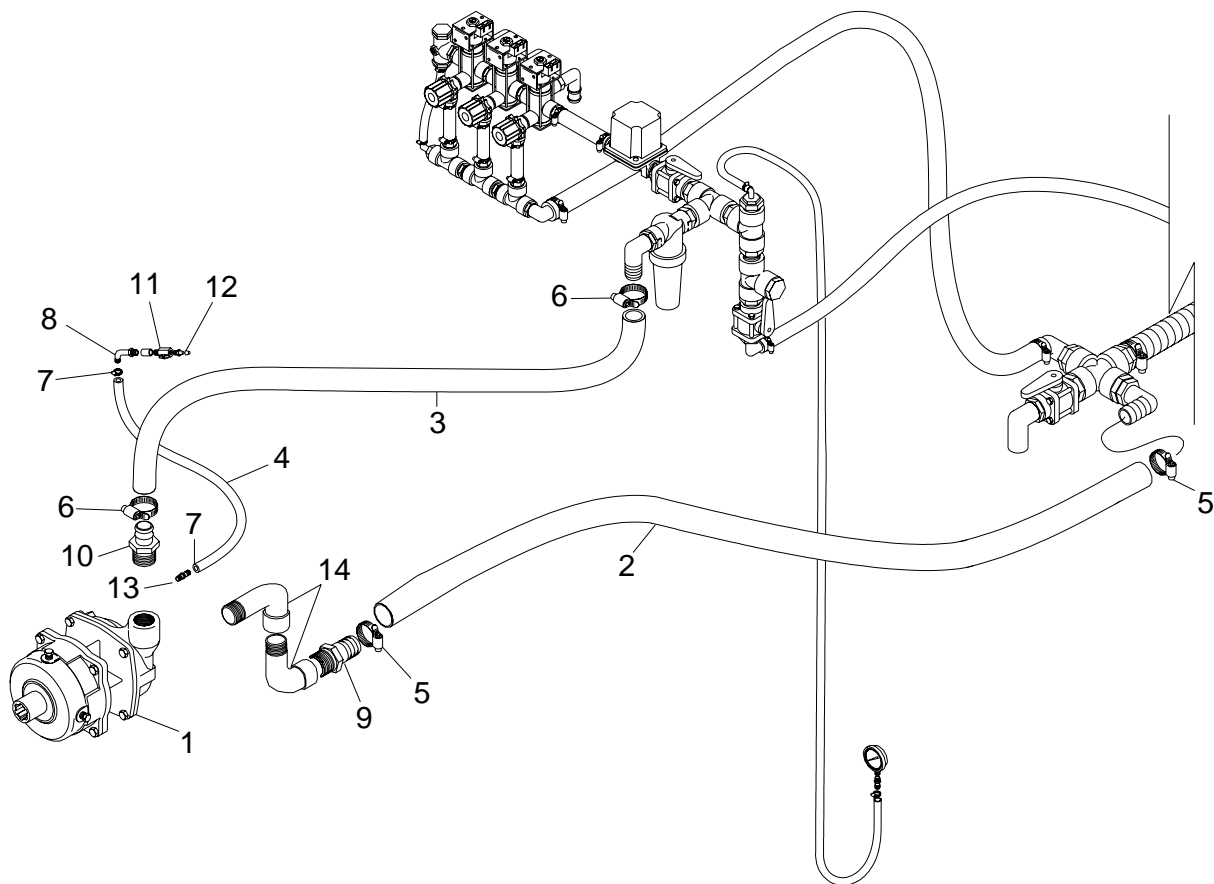
50022712 Anti-Siphon Assembly

REF. NO.	PART NO.	QTY	DESCRIPTION
1	50022549	1	Drop Pipe 2" MNPT x 27"
2	50022711	1	Bulkhead Fitting 2"
3	50022697	1	Adapter 2" MNPT
4	50022695	1	Valve-Gate Knife 2"
5	50022547	1	Adapter 2" MNPT (Modified)
6	50023963	1	
7	50022696	1	Elbow 2" FMPT x 90°
8	50022728	1	Adapter 2" MNPT x 1-1/2" FNPT
9	50022707	1	Adapter Camlock 1-1/2" MNPT x 1-1/2" MCL
10	50022694	1	Gasket 1-1/2" Camlock
11	50022729	1	Adapter Camlock 1-1/2" MNPT to 1" FNPT
12	50022699	1	Adapter 1-1/2" MNPT to 1" FNPT
13	50022698	1	Adapter 1" MNPT to 3/4" FNPT
14	50022709	1	Adapter 3/4" MNPT to 3/4" FGHT
15	50022693	1	Washer, Garden Hose
16	50022708	1	Dust Plug 1-1/2" MCL
17	50022544	1	Chain - 10"



Engine Drive Pump

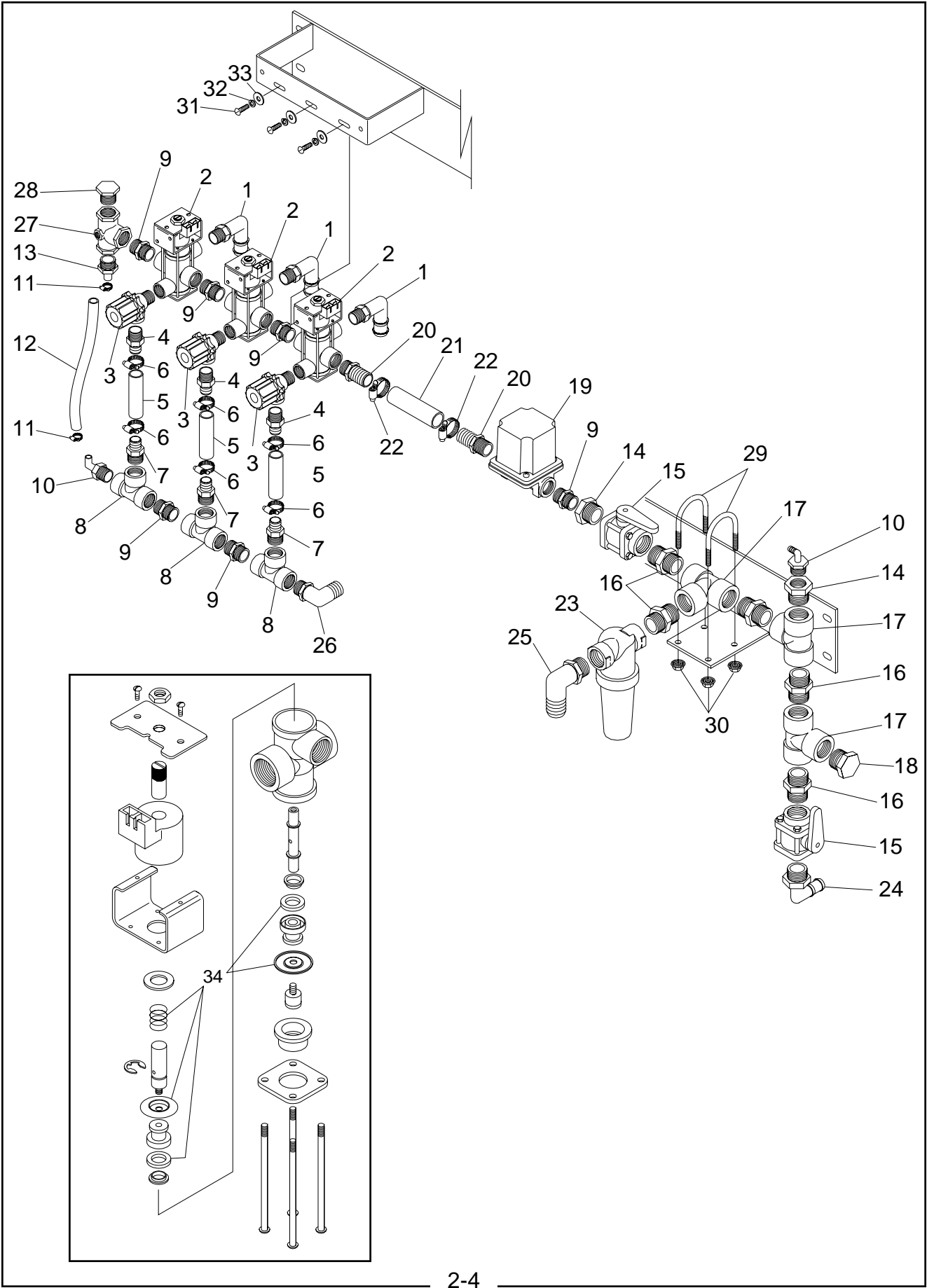
REF. NO.	PART NO.	QTY	DESCRIPTION
1	50023820	1	Engine 6 HP Kohler (See Kohler Dealer)
2	50023821	1	Pump, Hypro 9513P
3	44115	4	HHCS 5/16" x 2-1/2" G5
4	15917	4	Flatwasher 5/16"
5	44553	4	Hex Nut, Nylock 5/16"
6	50023822	1	Elbow 1/2" MNPT x 1/2" FNPT
7	50023823	1	Nipple 1/2" MNPT x 4"
8	50023824	1	Coupler 1/2" NMPT
9		1	Plug 1/2" MNPT (From Engine)
10	50023934	1	Hose 1-1/4" x 28" PVC Clear
11	50023936	1	Hose 1" x 200 PSI EPDM 20"
12	50023937	1	Hose 3/8" ID 150 PSI EPDM 20"
13	50023955	4	Clamp (1"-2")
14	50023771	4	Clamp (3/4" - 1-1/2")
15	50023773	2	Clamp (.44" - .70")
16	50023893	2	Elbow 1/4" MNPT x 3/8" HB
17	50023963	1	Adapter 1-1/2" MNPT x 1-1/4" HB
18	50026391	1	Adapter 1-1/4" MNPT x 1" HB
19	15004	4	HHCS 5/16" x 1" UNF
20	6244	1	Key 3/16" Sq. x 1-1/4"
21		2	Setscrew 1/4" x 1-1/4" Hex Socket
22	50019256	1	Ball Valve 1/4" Precision #90
23	50026303	1	Valve Assembly
24	50026369	1	Adapter 1/4" MNPT x 3/8" HB
25	50026367	2	Elbow 1-1/2" MNPT x 1-1/2" FNPT



PTO Drive Pump

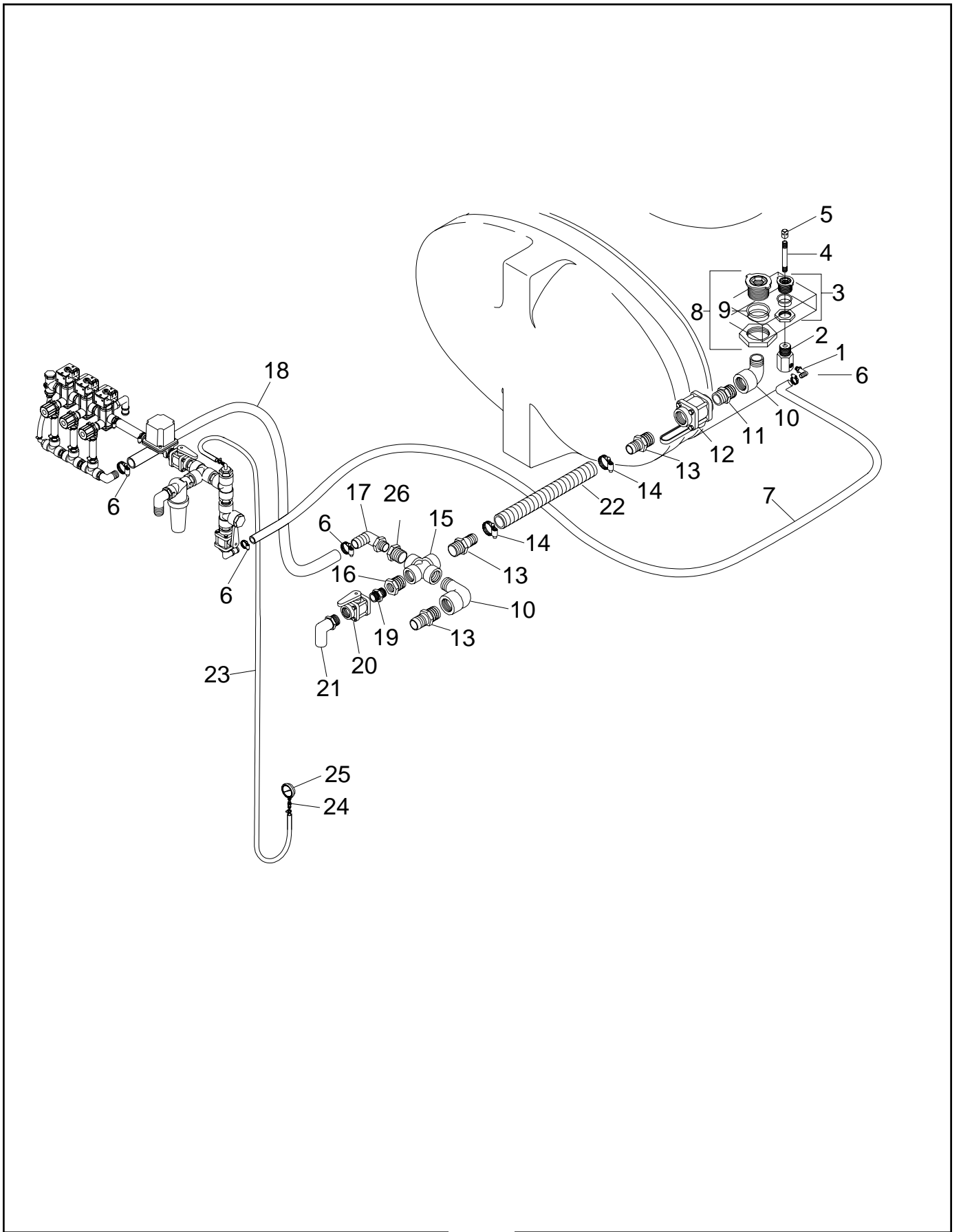
REF. NO.	PART NO.	QTY	DESCRIPTION
1	●50023827	1	Pump, Hypro 9006C - O
2	50023938	1	Hose 1-1/4" PVC Clear 96"
3	50023939	1	Hose 1" ID 200 PSI EPDM 96"
4	50023942	1	Hose 3/8" ID 150 PSI 96"
5	50023955	2	Clamp #24 (1"-2")
6	50023771	2	Clamp #16
7	50023713	2	Clamp #5 (.44 - .70")
8	50023893	2	Elbow 1/4" MNPT x 3/8" HB
9	50023963	1	Adapter 1-1/2" x 1" MNPT HB
10	50023964	1	Adapter 1-1/4" x 1" MNPT HB
11	50019256	1	Ball Valve 1/4" Precision #90
12	50026303	1	Valve Assembly
13	50026369	1	Adapter 1-1/4" x 1-1/4" MNPT HB
14	50026367	2	Elbow 1-1/2" MNPT x 1-1/2" FNPT

● Refer to Parts Catalog that came with you Hypro Pump at shipment for repair parts.



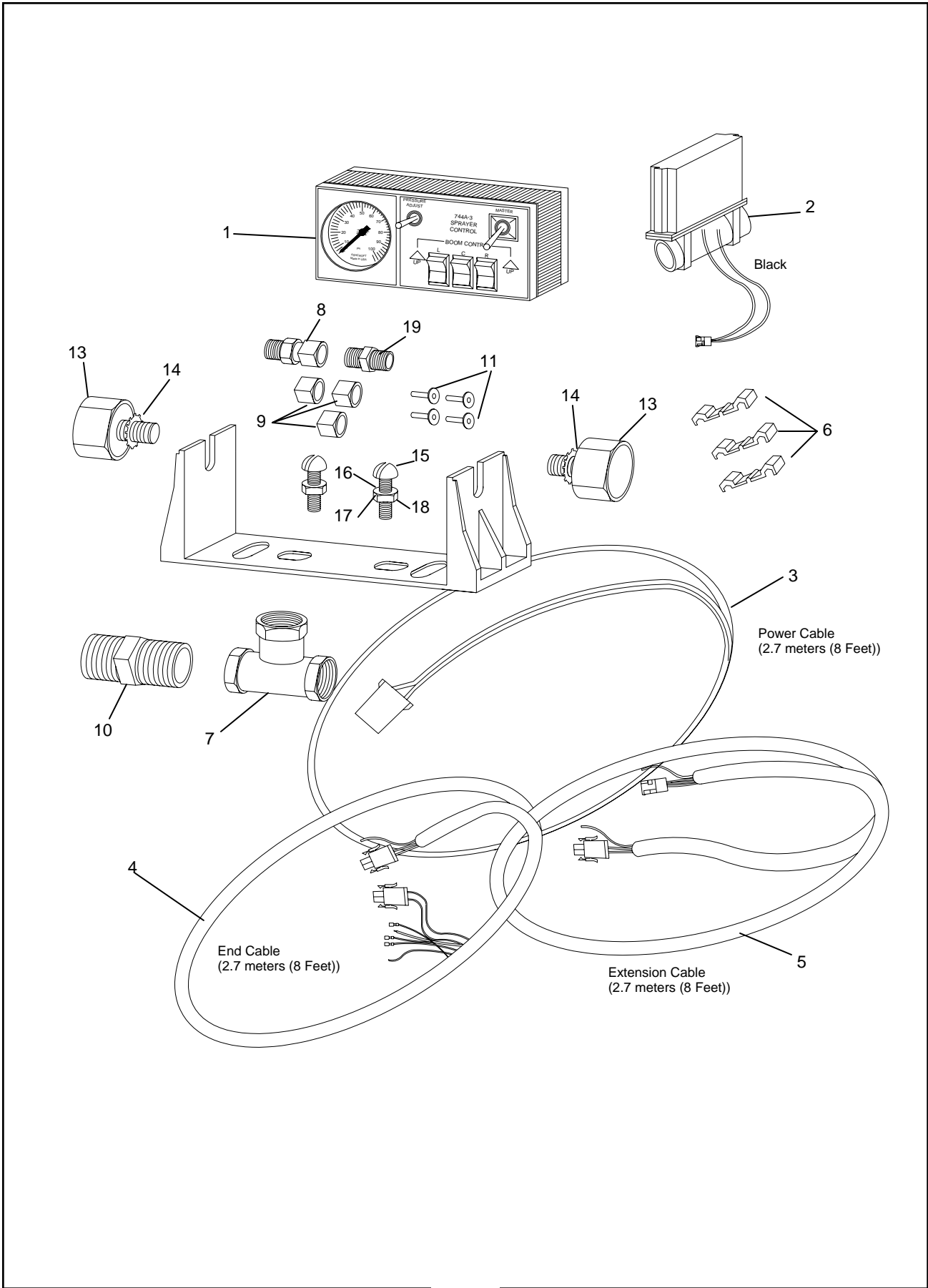
Spray Controls

REF. NO.	PART NO.	QTY	DESCRIPTION
1	50023748	3	Elbow 1/2" MNPT x 3/4" HB
2	50023749	3	Solenoid Valve Assy. (8 GPM/30 L Min.)Standard
	50023774	3	Solenoid Valve Assy. (10 GPM/37.9 L Min.)
3	50023750	3	Throttle Valve
4	50023751	3	Adapter 1/2" MNPT x 3/4" HB
5	50023752	3	Hose 3/4" ID c 3-1/4" Long - 200 PSI
6	50022714	6	Hose Clamp #12
7	50023753	3	Adapter 3/4" MNPT x 3/4" HB
8	50023754	4	Tee 3/4" FNPT
9	50023755	5	Adapter 3/4" MNPT
10	50023756	2	Elbow 3/4" MNPT to 3/8" HB
11	50022713	2	Hose Clamp #5
12	50023757	1	Hose 3/8" x 6" 150 PSI
13	50023758	1	Adapter 3/4" to 3/8" HB
14	50022698	2	Adapter 1" MNPT to 3/4" FNPT
15	50023759	2	Valve 1" FNPT
16	50023760	4	Adapter 1" MNPT
17	50023761	3	Tee 1" FNPT
18	50023762	1	Plug 1"
19	50023777	1	Pressure Control Valve
20	50023764	2	Adapter
21	50023965	1	Hose 1" ID x 4-1/2"
22	50023771	2	Hose Clamp
23	50023773	1	Line Strainer
24	50023831	1	Elbow 1" MNPT to 3/4" HB
25	50023966	1	Elbow 1" MNPT to 1" HB
26	50026388	1	Elbow 3/4" MNPT to 1" HB
27	50023782	1	Tee 3/4" FNPT w/ Tap Hole
28	50022896	1	Plug 3/4" MNPT
29	50023765	2	U-Bolt 5/16" -18 UNC x 2" 2-11/16"
30	4140604	6	Machine Screw #10 x 1/2"
31	15806	6	Lockwasher 1/2"
32	15829	6	Flatwasher 1/2"
33		1	Parts Kit



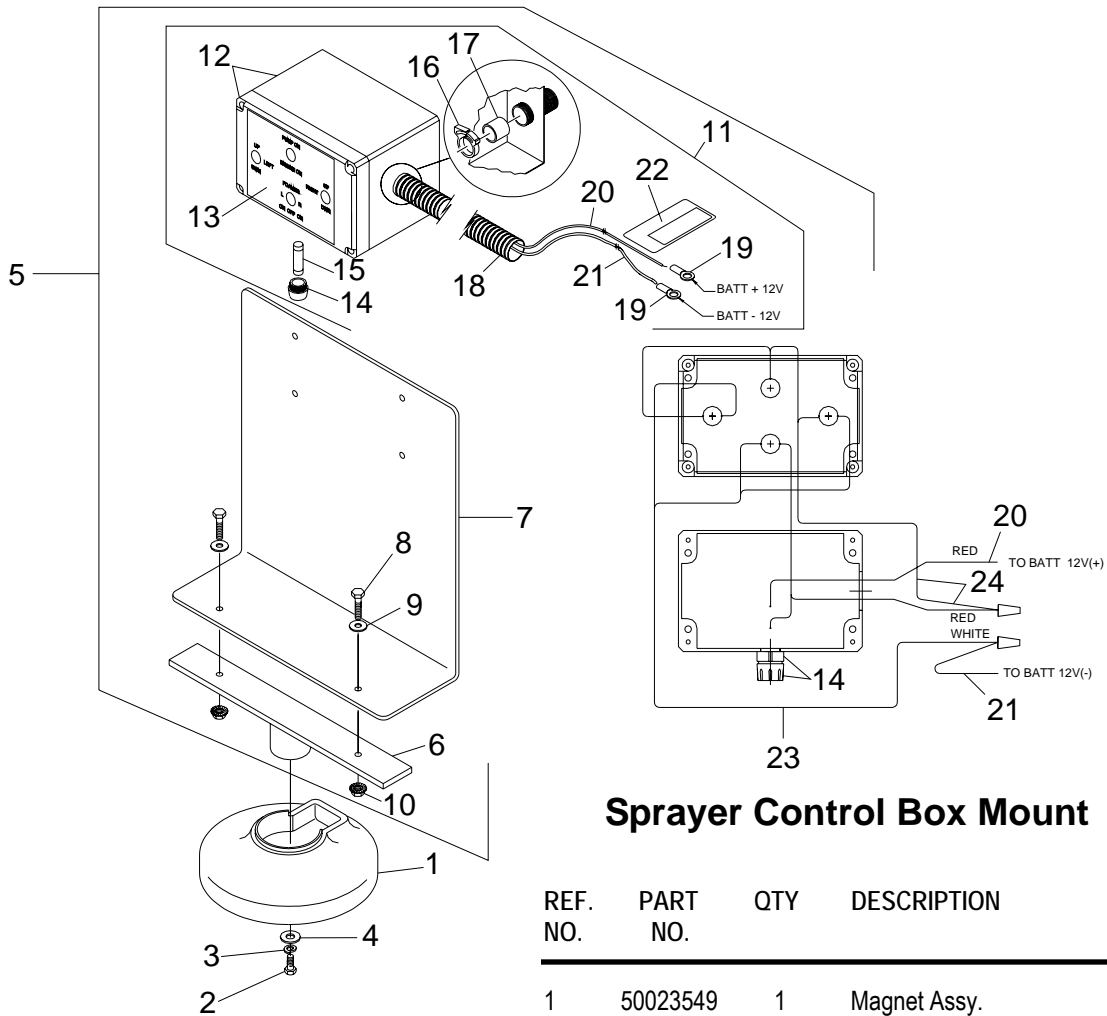
Tank Plumbing

REF. NO.	PART NO.	QTY	DESCRIPTION
1	50023751	1	Adapter 1/2" MNPT x 3/4" HB
2	50023769	1	Adapter Elbow, Agitator
3	50023768	1	Bulkhead - Special
4	50023767	1	Nipple 1/4" MNPT x 5"
5	50023766	1	Agitator Head 3/16" Holes
6	50023771	3	Hose Clamp
7	50023772	1	Hose 3/4" ID x 56" - 200 PSI
8	50026409	1	Bulkhead Assy. 1-1/2"
9	50026268	1	"O" Ring - for 1-1/2" Bulkhead
10	50026367	2	Elbow 1-1/2" MNPT to 1-1/2" FNPT
11	50026362	1	Adapter 1-1/2" MNPT x 3"
12	50026346	1	Valve 1-1/2" FNPT
13	50023963	3	Adapter 1-1/2" MNPT to 1-1/2" HB
14	50023955	2	Hose Clamp
15	50026411	1	Cross 1-1/2" FNPT
16	50022699	1	Adapter 1-1/2" MNPT to 1" FNPT
17	50026391	1	Elbow 1-1/4" MNPT x 1" HB
18	50023939	1	Hose 1" x 18" - 200 PSI
19	50023760	1	Nipple 1" MNPT
20	50023759	1	Valve 1" FNPT (Drain)
21	50023831	1	Elbow 1" MNPT x 3/4" HB
22	50023934	1	Hose 1-1/4" - Clear PVX 28"
23	50023884	1	Hose 3/8" x 36" - 150 PSI
24	50023888	1	Adapter 1/4" MNPT x 3/8"
25	50023812	1	2-1/2" Liquid Gauge
26	50026399	1	Adapter 1-1/2" MNPT to 1-1/4" FNPT



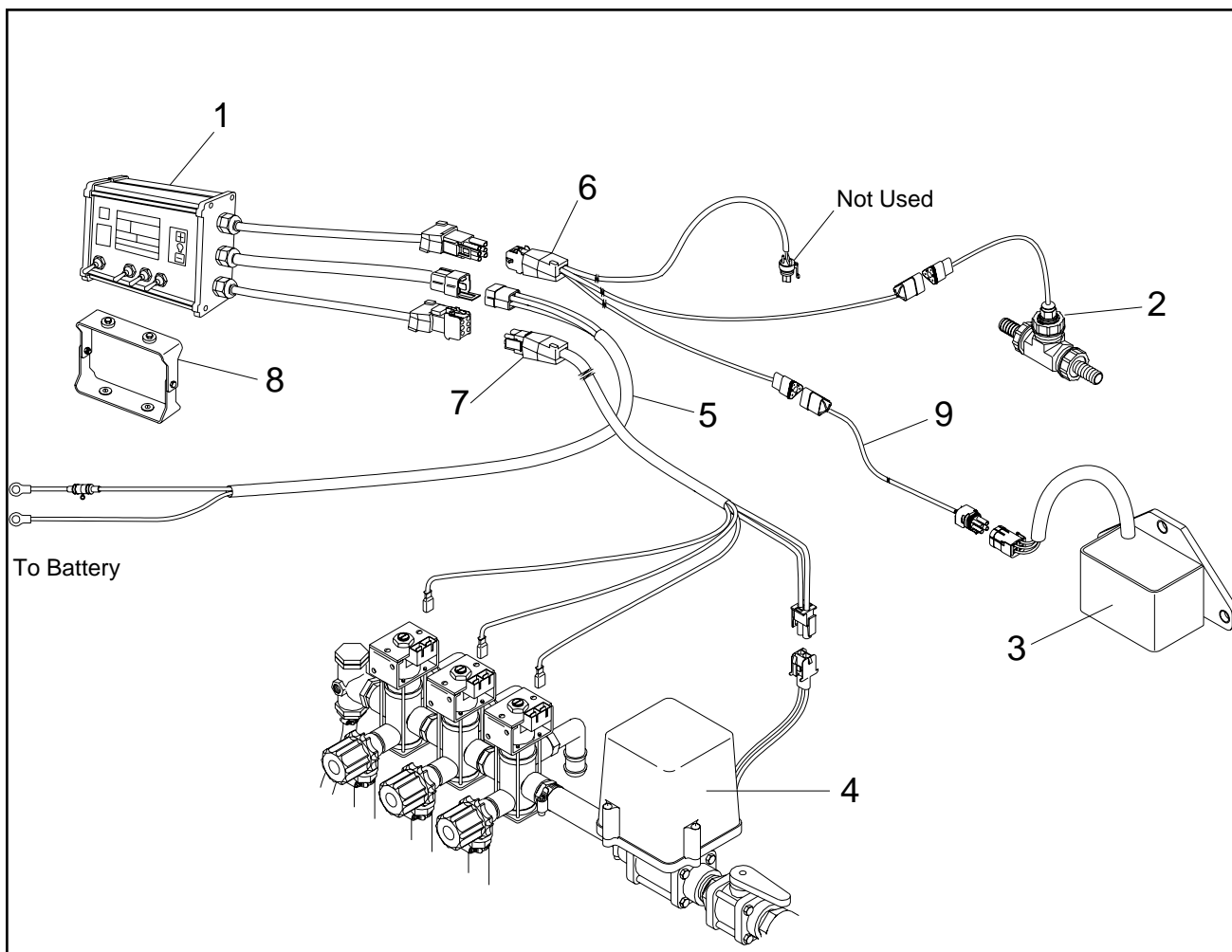
Economy Sprayer Control Kit

REF. NO.	PART NO.	QTY	DESCRIPTION
1	50023775	1	Control Housing Assembly
2	50023777	1	Pressure Regulating Valve
3	50023778	1	Power Cable 8'
4	50023779	1	End Cable 8'
5	50023780	1	Extension Cable 8'
6	50023781	9	T-Tap
7	50023782	1	Tee Fitting, Nylon
8	50023783	1	MALE Connector
9	50023784	3	Tubing Nut
10	50023785	1	Close Nipple 3/4"
11	50023786	4	Tubing Insert
12	50023787	1	Mounting Bracket
13	50023788	2	Lock Knob
14	50023770	2	Lockwasher 1/4" Ext. Tooth
15		2	Slotted Screw 1/4" x 1"
16		2	Flatwasher 1/4"
17		2	Lockwasher 1/4"
18		2	Hex Nut 1/4"
19	50023816	1	MALE Coupling, Nylon



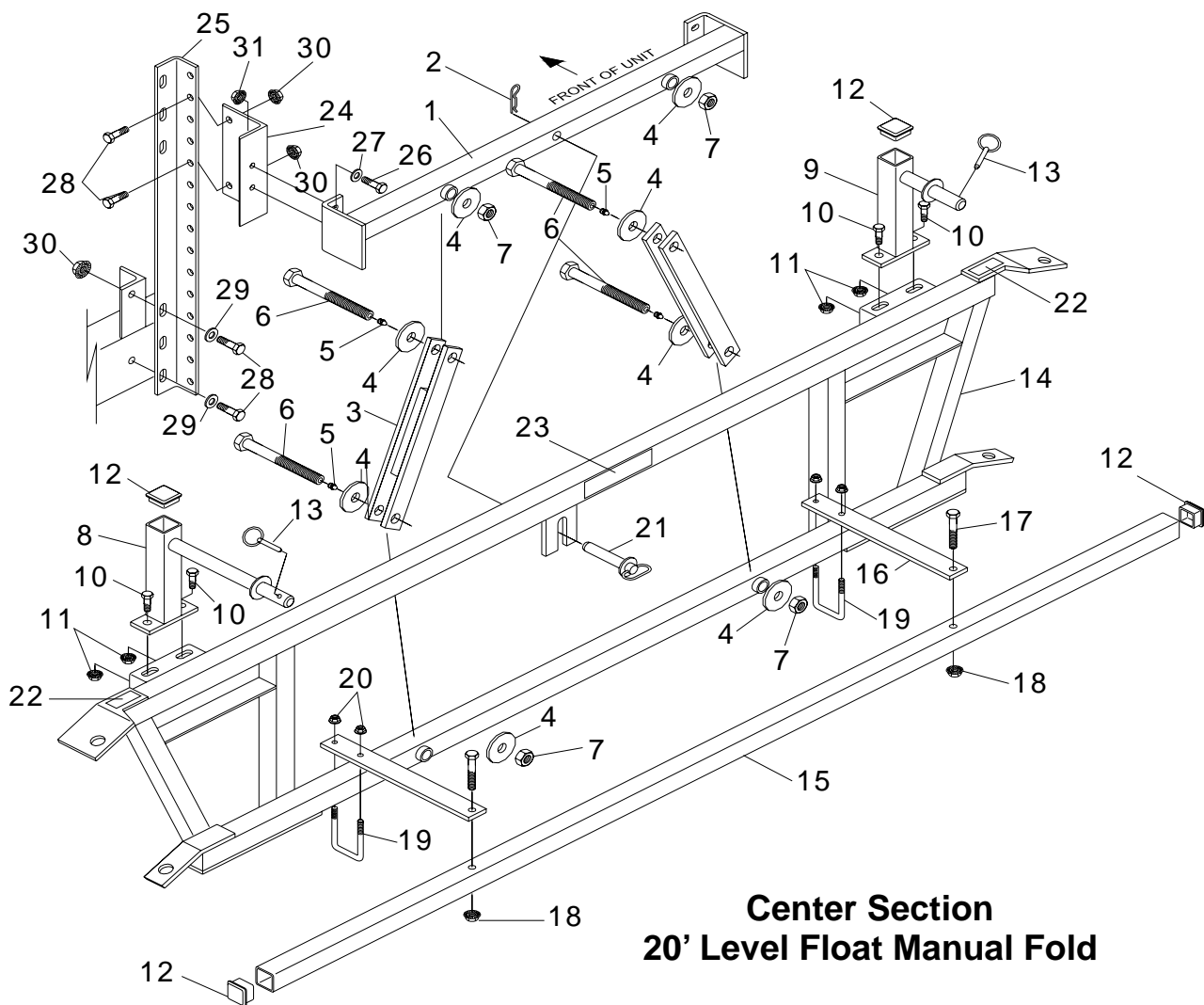
Sprayer Control Box Mount

REF. NO.	PART NO.	QTY	DESCRIPTION
1	50023549	1	Magnet Assy.
2	1161006	1	HHCS 5/16" x 3/4" G5
3	15808	1	Lockwasher 5/16"
4	15907	1	Flatwasher 5/16"
5	50022550	1	Control Box Bundle (Electric Boom)
6	50022988	1	Mount
7	50022853	1	Mount Plate
8	44186	2	HHCS 1/4" x 1" G5
9	44567	2	Flatwasher 1/4"
10	15584	2	Locknut, Serrated Flange 1/4"
11	50022832	1	Control Box Assy.
12	50022829	1	Control Box
13	50022833	1	Control Box Decal
14	50022852	1	Fuse Holder
15	50022855	1	Fuse 30 AMP
16	50022854	1	Easy Clamp
17	50022859	1	Pipe, PVC
18	50022857	1	Wire Loom 15'
19	50022831	2	Terminal Ring
20	50022837	1	Hot Wire Assy. (Red)
21	50022845	1	Ground Wire (White) 10 Ga.
22	50022850	1	Decal, Power Leads
23	50022989	1	Ground Wire Assy.
24	50022842	2	Fuse Wire



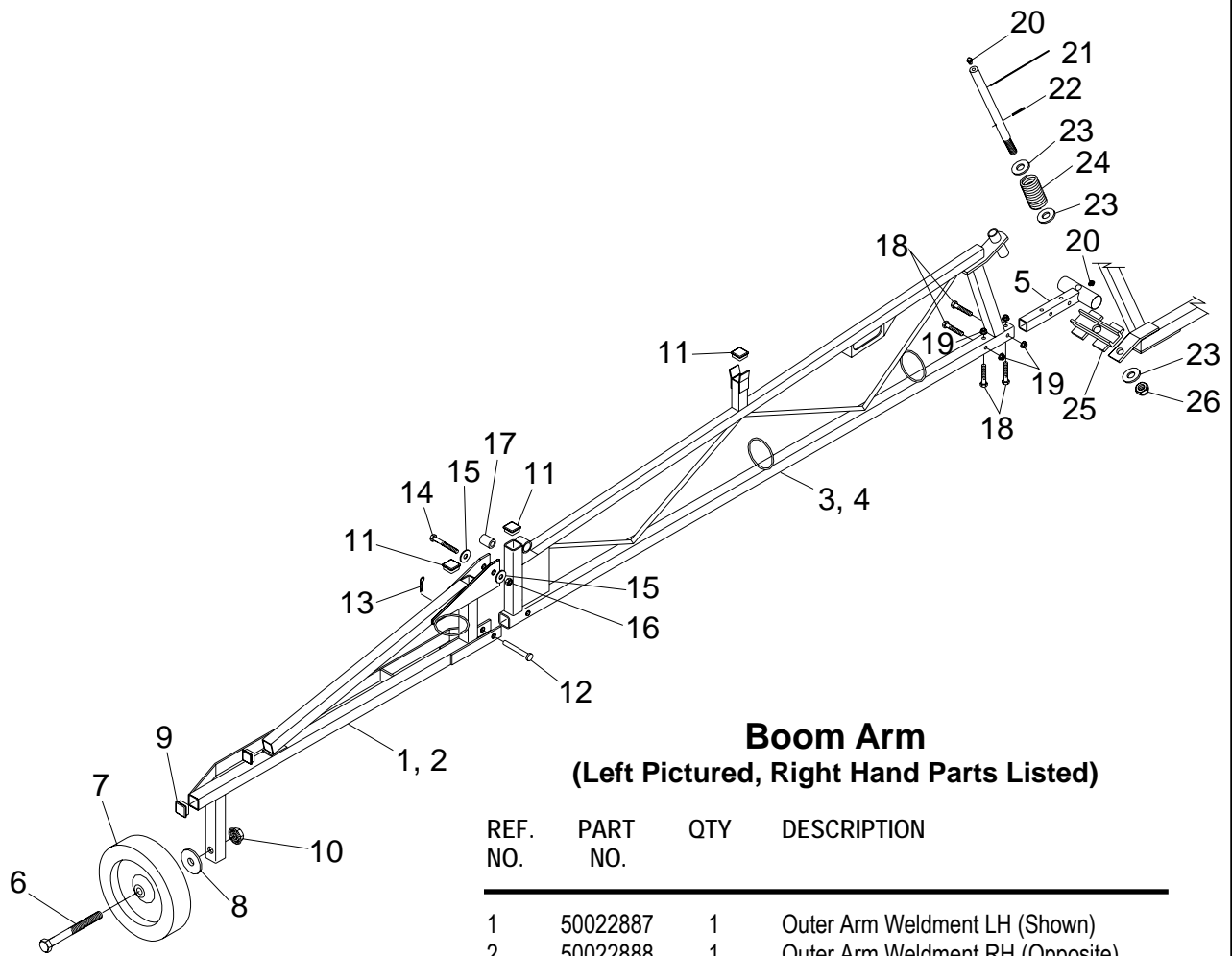
Deluxe Sprayer Control Kit

REF. NO.	PART NO.	QTY	DESCRIPTION
1	50023803	1	Control Housing Assy.
2	50023804	1	Flow Meter
3	50023805	1	Radar Speed Sensor
4	50023806	1	Regulating Ball Valve
5	50023807	1	Power Cable Assy. 12'
6	50023808	1	Sensor End Cable 15'
7	50023809	1	End Cable 5 - Section 15'
8	50023810	1	Console Mounting Bracket
9	50023811	1	Radar Adapter Cable 12'



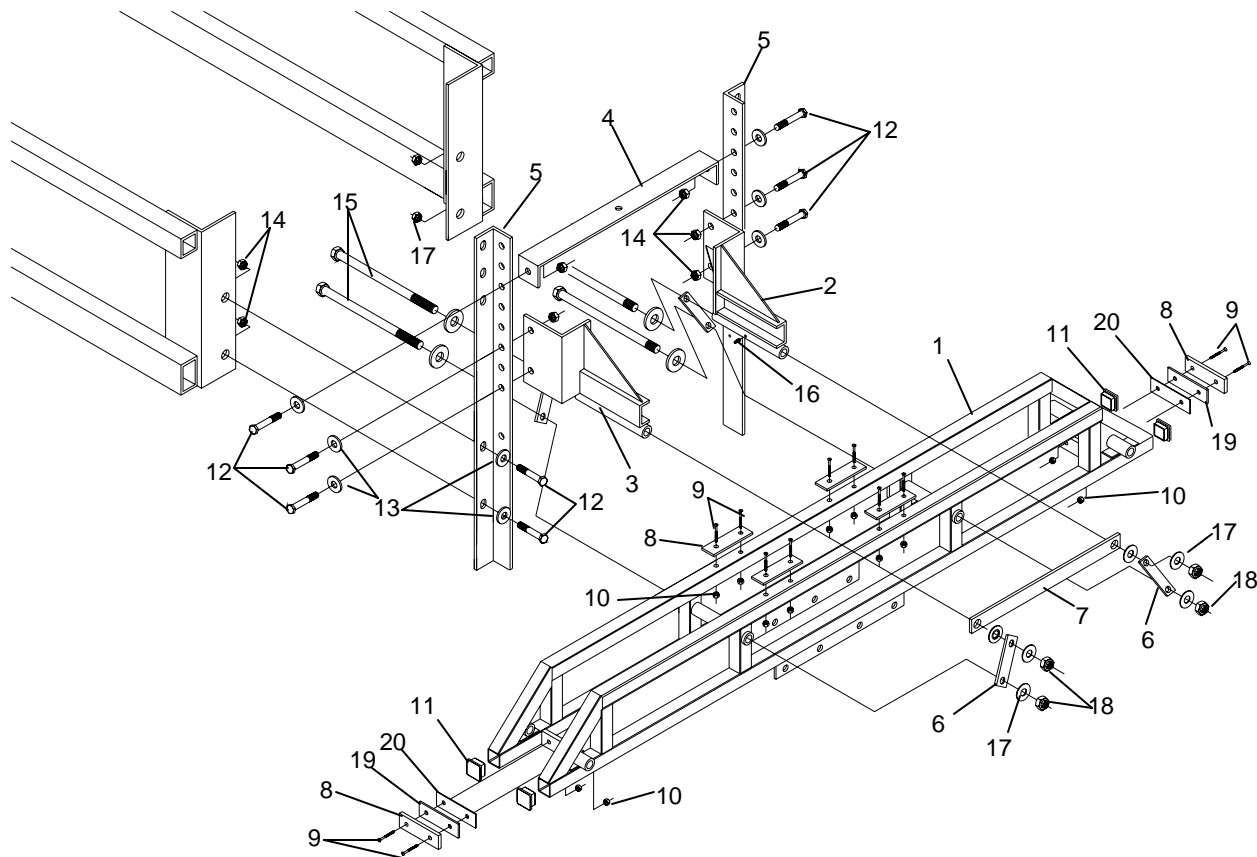
**Center Section
20' Level Float Manual Fold**

REF. NO.	PART NO.	QTY	DESCRIPTION	REF. NO.	PART NO.	QTY	DESCRIPTION
1	50022924	1	Center Mount Tube Weldment	17	1161020	2	HHCS 5/16"-18 x 2" G5
2	21020312	2	Cotter Pin 3/32" x 1-1/4"	18	5005770	2	Serrated Flange Locknut 5/16"
3	50022912	2	Swing Bar Weld.	19	50022860	2	U-Bolt 1/4"-20 x 1-3/8" x 2"
4	20748	12	Flatwasher 5/8" SAE Plt.	20	44626	4	Serrated Flange Locknut 1/4"
5	50022815	8	Grease Fitting 5/16" Sraight	21	50022927	1	Pin 1/2" x 3"
6	50022921	4	Grease Bolt	22	50022862	2	Decal, Grease every 25 hrs.
7	15598	4	Hex Locknut 5/8" - 11 UNC Plt.	23	50022925	1	Decal, Float Lock Pin
8	50022919	1	Post Weldment, Fold Lock LH	24	50022929	2	Boom Mount, Short
9	50022920	1	Post Weldment, Fold Lock RH	25	50022890	2	Boom Mount, Long
10	20034	4	HHCS 3/8"-16 UNC x 1" G5	26	1161212	4	HHCS 3/8" x 1-1/4" G5
11	44621	8	Serrated Flange Locknut 3/8"	27	15830	4	Flatwasher 3/8"
12	50022800	4	Cap 1-1/4" Sq.	28	44094	8	HHCS 1/2" x 1-1/4" G5
13	50022926	2	Lynch Pin 1/4" x 1-3/4"	29	15829	8	Flatwasher 1/2"
14	50022909	1	Center Section Weld.	30	15554	8	Hex Nut, 1/2" Whiz Locknut
15	50022983	1	Center Tube Weldment	31	20363	4	Hex Nut, 3/8" Whiz Locknut
16	50022659	2	Center Tube Holder				



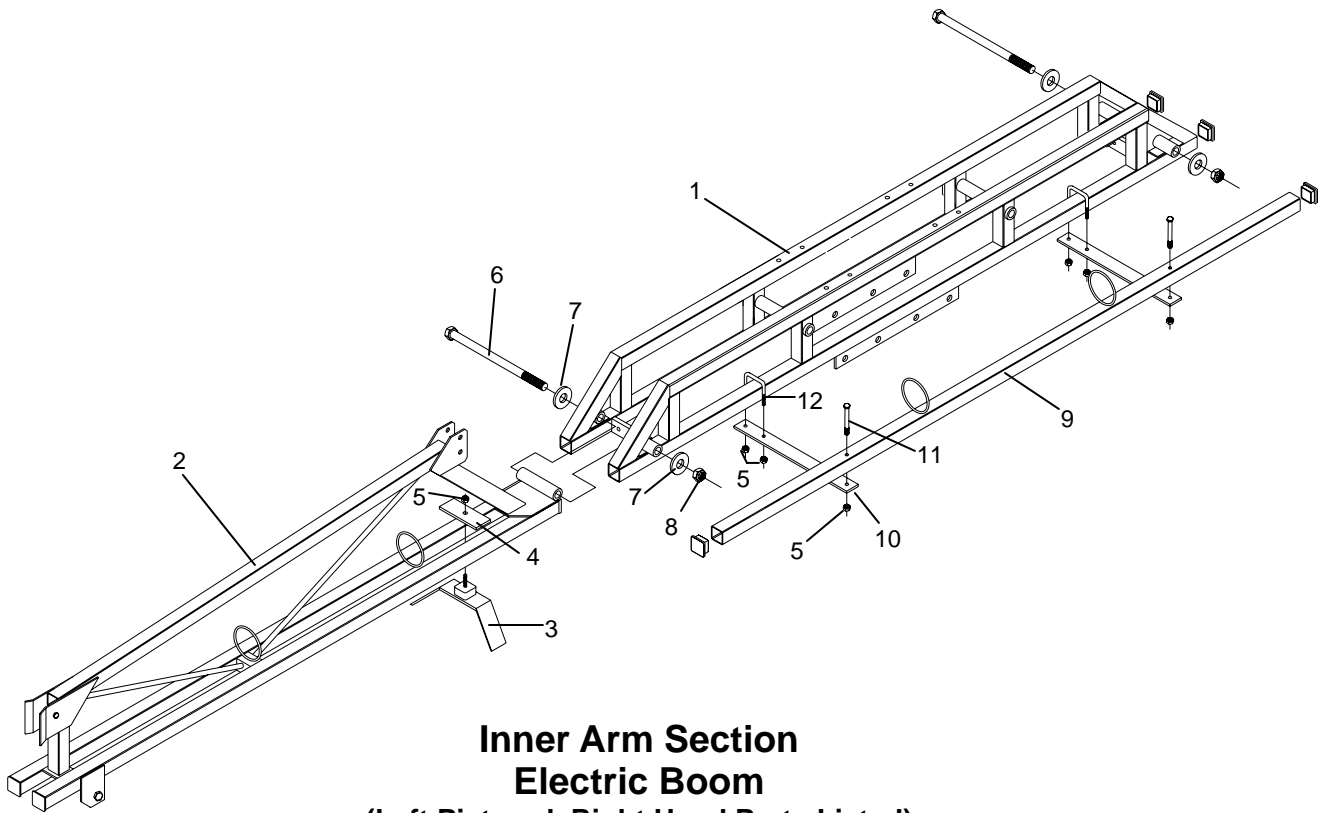
Boom Arm
(Left Pictured, Right Hand Parts Listed)

REF. NO.	PART NO.	QTY	DESCRIPTION
1	50022887	1	Outer Arm Weldment LH (Shown)
2	50022888	1	Outer Arm Weldment RH (Opposite)
3	50022874	1	Inner Arm Weldment LH (Shown)
4	50022875	1	Inner Arm Weldment RH (Opposite)
5	50022805	2	Hinge Weldment
6	20864	2	HHCS 1/2"-13 UNC x 3" G5
7	50022861	2	Wheel, 6" x 1/2" Bore
8	15829	2	Flatwasher 1/2" SAE Plt.
9	50022800	2	Cap, 1-1/4" Square Tube
10	44615	2	Hex Nut, Whiz 1/2"-13 UNC
11	50022801	6	Cap 1" 14 Ga. Tube
12	50022891	2	Pin, Clevis 3/8" x 3-1/4" Plated
13	15473	2	Cotter Pin 1/4" x 2-1/2"
14	20048	2	HHCS 3/8"-16 UNC x 2-1/4" G5
15	15915	4	Flatwasher 3/8" Plated
16	20363	2	Locknut 3/8"
17	50022889	2	Pivot Bushing
18	44506	4	HHCS 1/4"-20 UNC x 1-3/4" G5
19	15531	8	Hex Nut, Whiz 1/4"-20 Plt.
20	50022815	4	Grease Fitting
21	50022809	2	Hinge Pin
22	1550145	2	Roll Pin 3/16" 1-1/4" Plated
23	20748	6	Flatwasher 5/8" Plt.
24	50022810	2	Spring 1-1/4" OD x 1-15/16" Lg
25	50022808	2	Hinge Base
26	15598	2	Locknut 5/8"



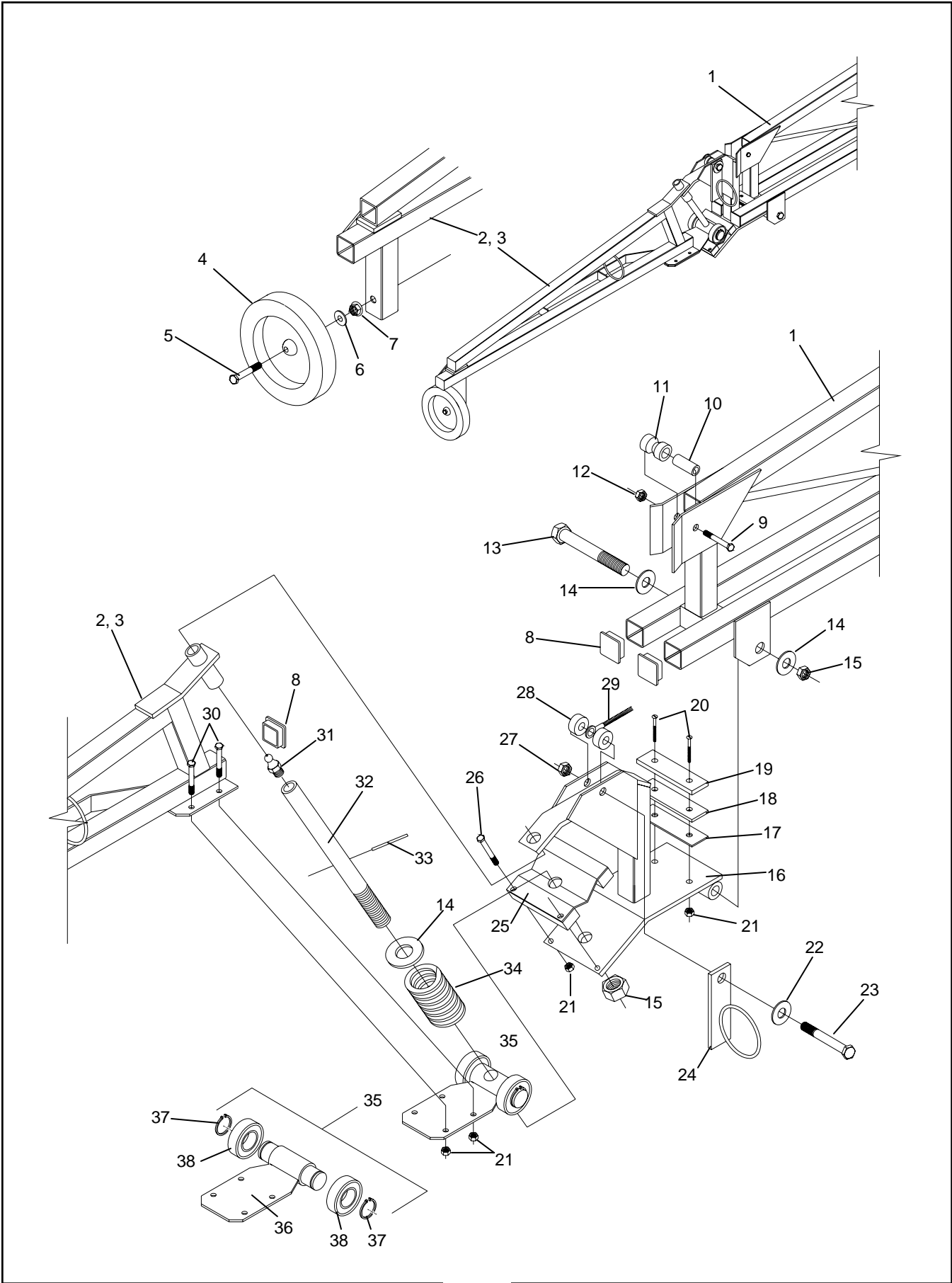
Center Section 20' Level Float Electric Fold

REF. NO.	PART NO.	QTY	DESCRIPTION
1	50025760	1	Center Boom Weld.
2	50025767	1	Right Mounting Bracket Weld.
3	50025766	1	Left Mounting Bracket Weld.
4	50023949	1	Angle Weld.
5	50022890	2	Boom Mounting Angle
6	50025825	4	Swing Bar
7	50025824	1	Support Bar
8		6	Block - Nylon Slide
9	44647	12	SP PH Flat HD 1/4"-20 x 2 1/4"
10	44626	12	Hex Nut Whiz 1/4"-20
11		4	Cap - 1 1/2" Square Tube
12	44094	7	HHCS 1/2"-13 x 1 1/4"
13	15829	10	Flatwasher 1/2"
14	44615	7	Hex Nut Whiz 1/2"-13
15	44463	4	HHCS 5/8"-11 x 10"
16	449	2	Grease Fitting
17	20748	10	Flatwasher 5/8"
18	15598	4	Lock Nut 5/8"-11
19	50025809	2	Shim
20	50025810	2	Shim 14 GA.



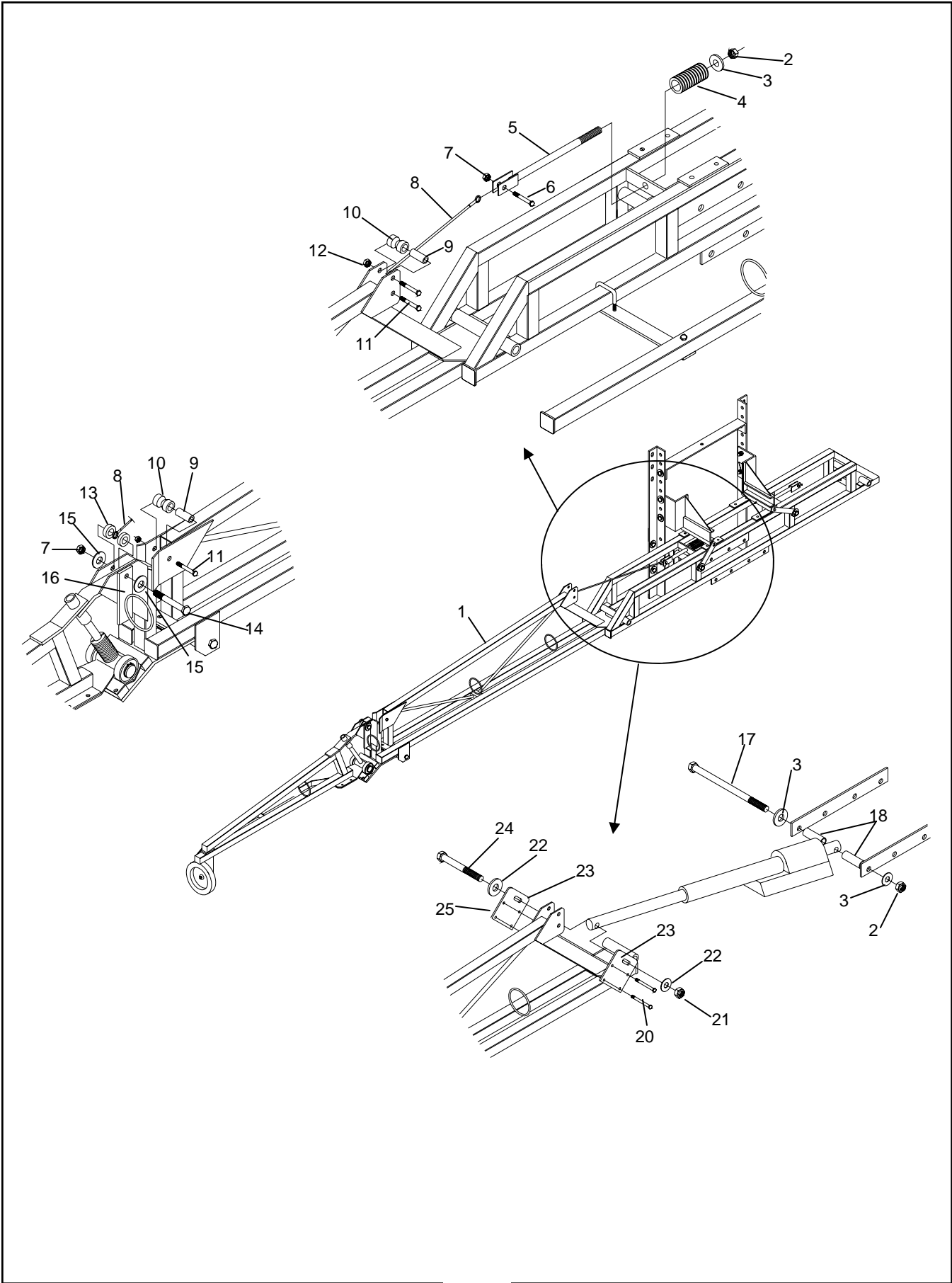
**Inner Arm Section
Electric Boom**
(Left Pictured, Right Hand Parts Listed)

REF. NO.	PART NO.	QTY	DESCRIPTION
1	50025760	1	Center Boom Section
2	50025779	2	Inner Arm Weld.
3	50025805	2	Wheel Rest Weld.
4	50025808	2	Back Up Weld.
5	44626	8	Hex Nut Whiz 1/4"-20
6	44463	2	HHCS 5/8"-11 x 10"
7	20748	4	Flatwasher 5/8"
8	15598	2	Lock Nut 5/8"-11
9	50022914	1	Center Tube Weld.
10	50026608	2	Boom Tube Holder
11	44437	2	HHCS 1/4"-20 x 3"
12	50022860	2	U-Bolt 1/4"-20 x 1 3/8" x 2"



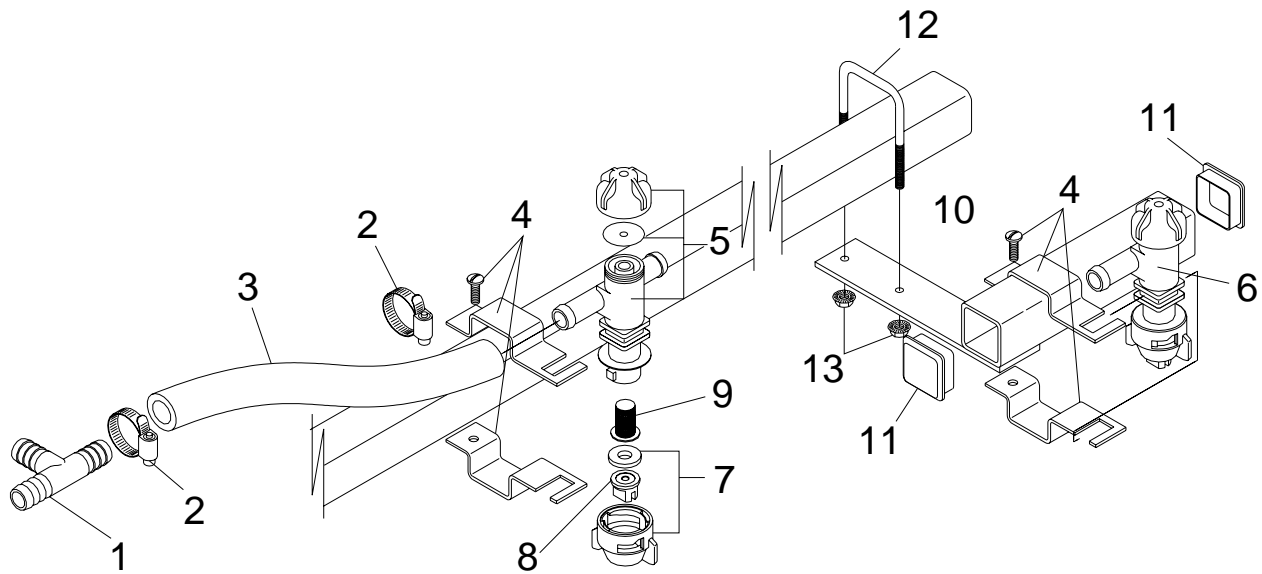
Boom Arm Components
Electric Boom
(Left Pictured, Right Hand Parts Listed)

REF. NO.	PART NO.	QTY	DESCRIPTION
1	50025779	2	Inner Arm Weld.
2	50025787	1	Left Outer Arm Weld.
3	50025788	1	Right Outer Arm Weld.
4	50022861	2	Wheel Turf Boom 6" x 1/2" Bore
5	20864	2	HHCS 1/2"-13 x 3"
6	15829	2	Flatwasher 1/2"
7	44615	2	Hex Nut Whiz 1/2"-13
8	50022800	10	Cap 1 1/4" Square Tube
9	1161020	6	HHCS 5/16"-18 x 2"
10	50025813	2	Roller Sleeve
11	50025812	2	Poly Roller
12	50005770	2	Hex Nut Whiz 5/16"-18
13	20923	2	HHCS 5/8"-11 x 6"
14	20748	6	Flatwasher 5/8"
15	15598	2	Lock Nut 5/8"-11
16	50025793	2	Hinge Weld
17	50025810	2	Shim
18	50025809	2	Shim
19		2	Block - Nylon Slide
20	44648	4	SFCHMS 1/4"-20 x 1 1/2"
21	44626	16	Hex Nut Whiz 1/4"-20
22	15915	2	Flatwasher 3/8"
23	1161220	2	HHCS 3/8"-16 x 2"
24	50023944	2	Ring Weld
25	50025799	2	V-Block Weld.
26	19114	4	HHCS 1/4"-20 x1 1/4"
27	20363	2	Lock Nut 3/8"-16
28	50025819	8	Poly Spacer
29		2	Boom Cable
30	1160806	8	HHCS 1/4"-20 x 3/4"
31	50022815	2	Zerk Grease Fitting
32	50025811	2	Pivot Rod
33	19432	2	Pin Roll 3/16" x 1 1/4"
34	50022810	2	Spring Comp 1 1/4" OD x 1 15/16"
35	50025817	2	Bearing Shaft Assembly
36	50025816	2	Bearing Shaft Weld.
37	50026272	4	Snap Ring 1.000
38	822111	4	Bearing



**Inner Arm Hinge and Cable
Electric Boom
(Left Pictured, Right Hand Parts Listed)**

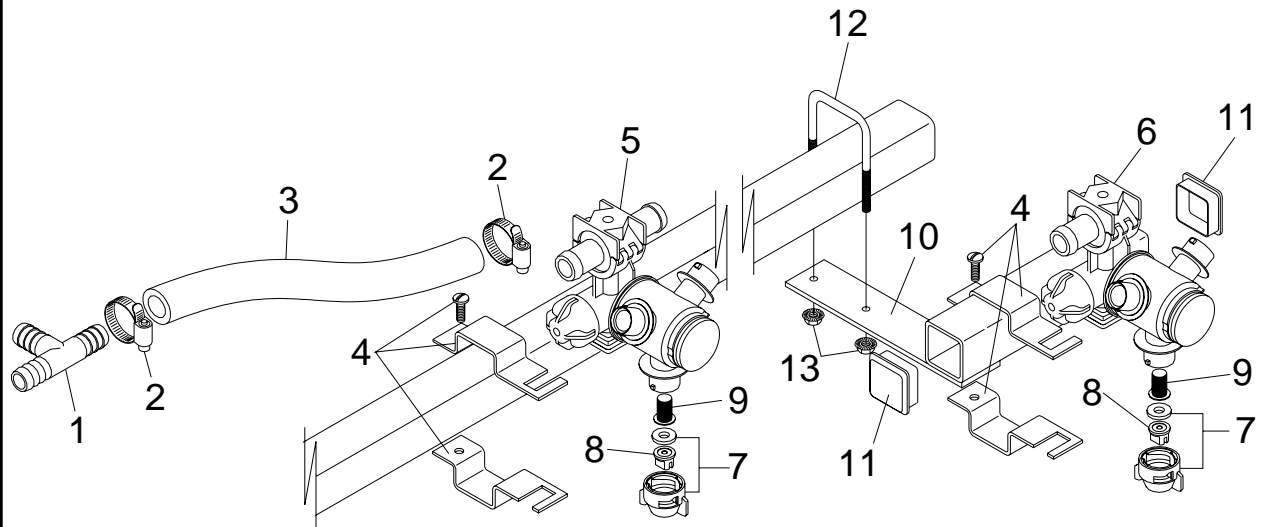
REF. NO.	PART NO.	QTY	DESCRIPTION
1	50025779	2	Inner Arm Weld.
2	15598	4	Lock Nut 5/8"-11
3	20748	6	Flatwasher 5/8"
4	50025823	2	Spring Comp 1.35 OD x 7"
5	50025796	2	Spring Rod Weld.
6	20881	2	HHCS 3/8"-16 x 1 1/2"
7	20363	4	Lock Nut 3/8"-16
8	50025821	2	Boom Cable
9	50025813	4	Roller Sleeve
10	50025812	4	Poly Roller
11	5161212	6	HHCS 5/16"-18 x 2"
12	50005770	6	Hex Nut Whiz 5/16"-18
13	50025819	4	Poly Spacer
14	1161220	2	HHCS 3/8"-16 x 2"
15	15915	2	Flatwasher 3/8"
16	50023944	2	Ring Weld.
17	44463	2	HHCS 5/8"-11 x 10"
18	50025818	4	Cyl. Spacer
19	50025826	2	Electric Linear Actuator
20	44437	8	HHCS 1/4"-20 x 3"
21	44539	2	Hex Nut Nylock 1/2"-13
22	15829	4	Flatwasher 1/2"
23	50025802	4	Cylinder Mt. Weld.
24	20779	2	HHCS 1/2"-13 x 3 1/2"
25	44626	8	Hex Nut Whiz 1/4"-20



Spray Kit / Single Nozzle 20' Boom

REF. NO.	PART NO.	QTY	DESCRIPTION
1	50022811	3	Tee 3/4" HB
2	50022714	24	Hose Clamp #12
3	●50022933	1	Hose 3/4" ID x 198" - 200PSI
4	50022802	12	Nozzle Bracket Assy. 1-1/4" Sq.Tube
5	50022701	4	Nozzle Body, Single - Double Inlet
6	50022700	4	Nozzle Body, Single - Single Inlet
7	50022703	12	Nozzle Cap & Gasket (Red) (Std.)
	50022743	12	Nozzle Cap & Gasket (Orange)
	50022740	12	Nozzle Cap & Gasket (Green)
	50022741	12	Nozzle Cap & Gasket (Yellow)
	50044730	12	Nozzle Cap & Gasket (Blue)
	50022742	12	Nozzle Cap & Gasket (Brown)
	50022739	12	Nozzle Cap & Gasket (Black)
	50022731	12	Nozzle Cap & Gasket (White)
8	50022702	12	Red Nozzle 110° 50 Mesh .24—.49 GPM
	50022744	12	Orange Nozzle 110° 50 Mesh .06—.12 GPM
	50022745	12	Green Nozzle 110° 50 Mesh .09—.18 GPM
	50022746	12	Yellow Nozzle 110° 50 Mesh .12—.24 GPM
	50022732	12	Blue Nozzle 110° 50 Mesh .13—.37 GPM
	50022747	12	Brown Nozzle 110° 50 Mesh .31—.61 GPM
	50022748	12	Gray Nozzle 110° 50 Mesh .37—.73 GPM
	50022733	12	White Nozzle 110° 50 Mesh .49—.98 GPM
9	50022704	12	Strainer, 50 Mesh (Red)
	50025653	12	Strainer, 100 Mesh (Green)
10	50022894	1	Mount Weld. RH (Shown)
	50022895	1	Mount Weld. LH (Opposite)
11	50022800	4	Cap 1-1/4" Sq.Tube
12	50022860	2	U-Bolt 1/4"-20 x 1-3/8" x 2"
13	44626	4	Hex Nut, Flanged 1/4"

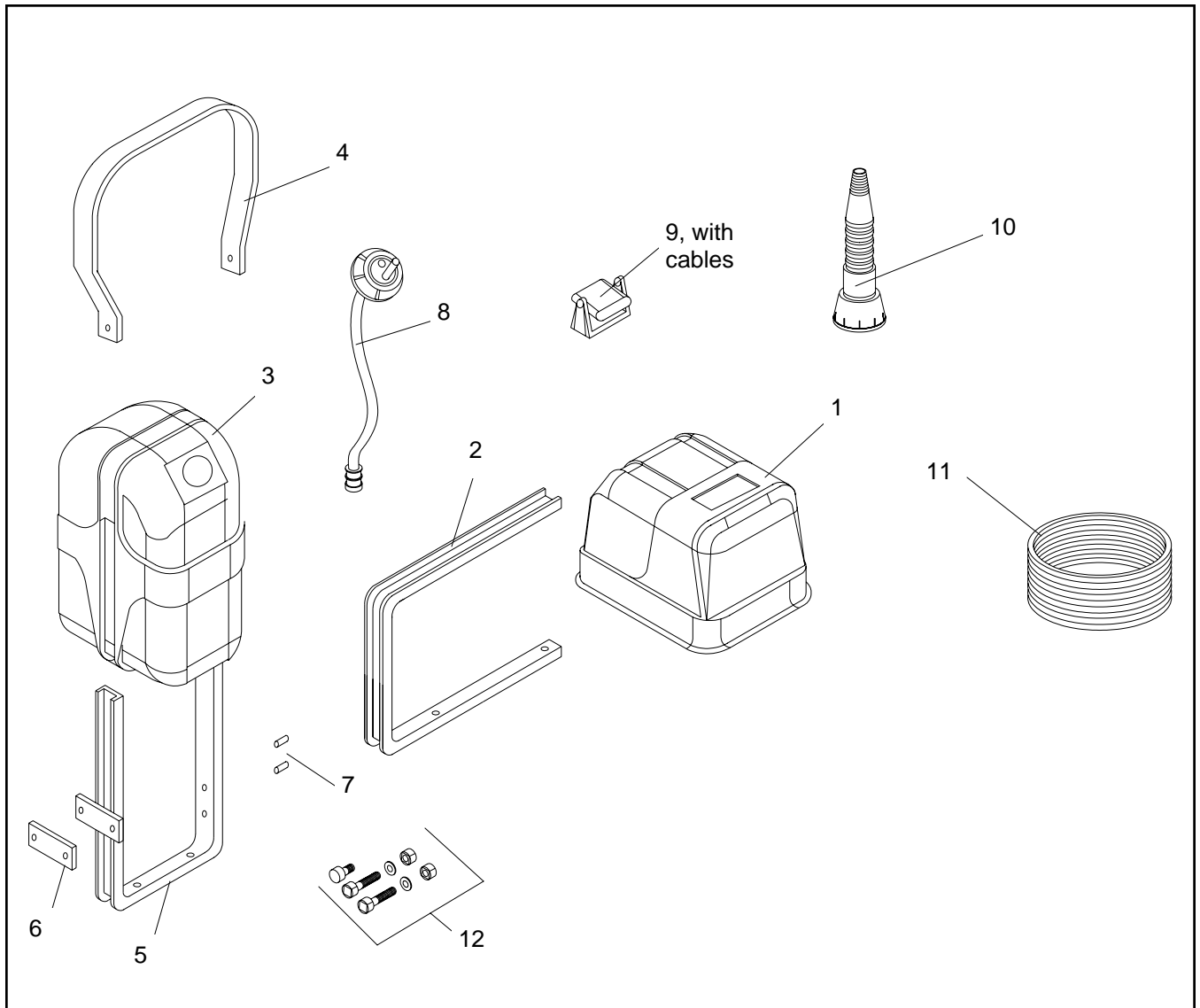
●Hose is enough to replace all sections on a 20' Boom. Length is 198" (16'6") and must be cut to length.



Spray Kit / Triple Nozzle 20' Boom

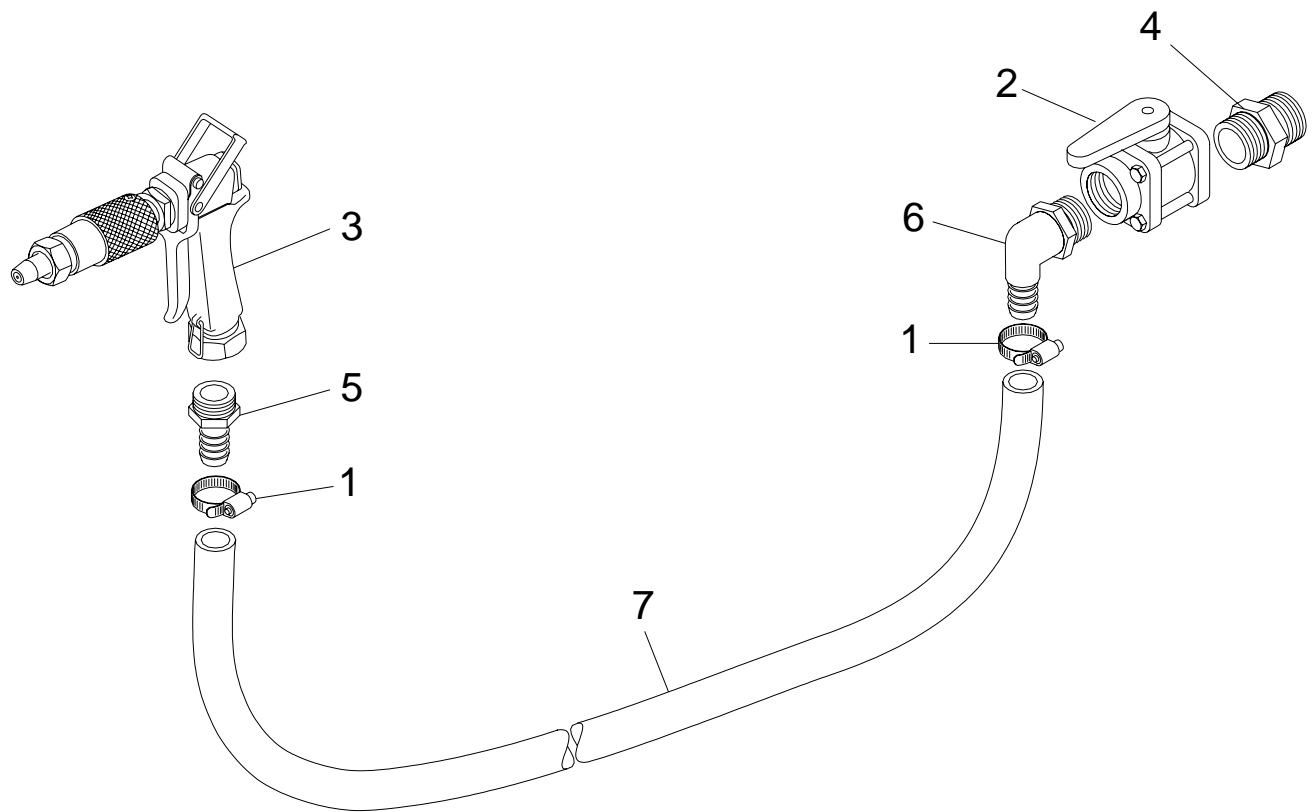
REF. NO.	PART NO.	QTY	DESCRIPTION
1	50022811	3	Tee 3/4" HB
2	50022714	24	Hose Clamp #12
3	●50022933	1	Hose 3/4" ID x 198" - 200PSI
4	50022802	12	Nozzle Bracket Assy. 1-1/4" Sq.Tube
5	50022716	4	Nozzle Body, Triple - Double Inlet
6	50022715	4	Nozzle Body, Triple - Single Inlet
7	50022703	12	Nozzle Cap & Gasket (Red) (Std.)
	50022743	12	Nozzle Cap & Gasket (Orange)
	50022740	12	Nozzle Cap & Gasket (Green)
	50022741	12	Nozzle Cap & Gasket (Yellow)
	50044730	12	Nozzle Cap & Gasket (Blue)
	50022742	12	Nozzle Cap & Gasket (Brown)
	50022739	12	Nozzle Cap & Gasket (Black)
	50022731	12	Nozzle Cap & Gasket (White)
8	50022702	12	Red Nozzle 110° 50 Mesh .24—.49 GPM
	50022744	12	Orange Nozzle 110° 50 Mesh .06—.12 GPM
	50022745	12	Green Nozzle 110° 50 Mesh .09—.18 GPM
	50022746	12	Yellow Nozzle 110° 50 Mesh .12—.24 GPM
	50022732	12	Blue Nozzle 110° 50 Mesh .13—.37 GPM
	50022747	12	Brown Nozzle 110° 50 Mesh .31—.61 GPM
	50022748	12	Gray Nozzle 110° 50 Mesh .37—.73 GPM
	50022733	12	White Nozzle 110° 50 Mesh .49—.98 GPM
9	50022704	12	Strainer, 50 Mesh (Red)
	50025653	12	Strainer, 100 Mesh (Green)
10	50022894	1	Mount Weld. RH (Shown)
	50022895	1	Mount Weld. LH (Opposite)
11	50022800	4	Cap 1-1/4" Sq.Tube
12	50022860	2	U-Bolt 1/4"-20 x 1-3/8" x 2"
13	44626	4	Hex Nut, Flanged 1/4"

●Hose is enough to replace all sections on a 20' Boom. Length is 198" (16'6") and must be cut to length.



Foam Marker Assembly

REF. NO.	PART NO.	QTY	DESCRIPTION
1	50023789	1	Compressor Complete
2	50023790	1	Compressor Bracket
3	50023791	1	Tank, 5 Gallon
4	50023792	1	Tank Top Bracket
5	50023793	1	Tank Frame
6	50023794	1	Spacer
7	50023795	2	Bushing
8	50023796	1	Complete Cap Assy.
9	50023797	1	Switch Box w/Cable
10	50023798	1	Complete Nozzle
11	50023799	1	Hose Mount
12	50023800	1	Bolt Kit



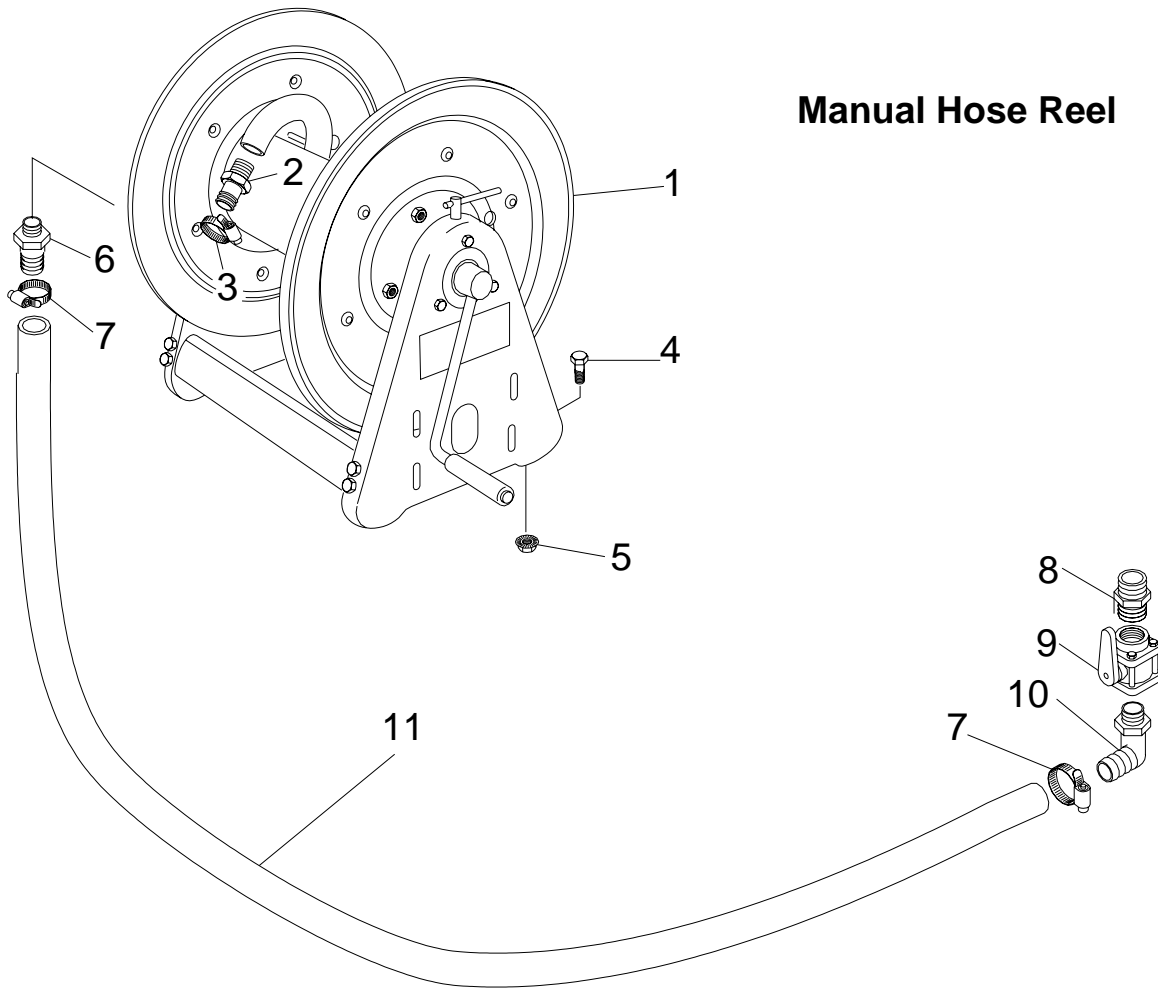
50019577 Spray Gun and Hose Assembly

REF. NO.	PART NO.	QTY	DESCRIPTION
1	50022713	2	Clamp, Worm Drive #5 (.44-.70)
2	50023759	1	Valve 1" FNPT Ball
3	50023818	1	Spray Gun Assy.
4	50023760	1	Adapter 1" MNPT
5	50023819	1	Adapter 3/4" MGHT x 1/2" HB
6	50023858	1	Elbow 1" MNPT x 1/2" HB
7	50023859	1	Hose 1/2" PVC Yellow - 360" (30')

NOTE: Locke Turf does not service spray gun assembly parts (part# 50023818). For Repair Parts please contact:

**Green Garde® Division
H.D. Hudson Mfg. Co.
500 North Michigan Ave.
Chicago, IL 60611-3769
Phone: 312-644-2830
800-745-2392
Fax: 312-644-7989**

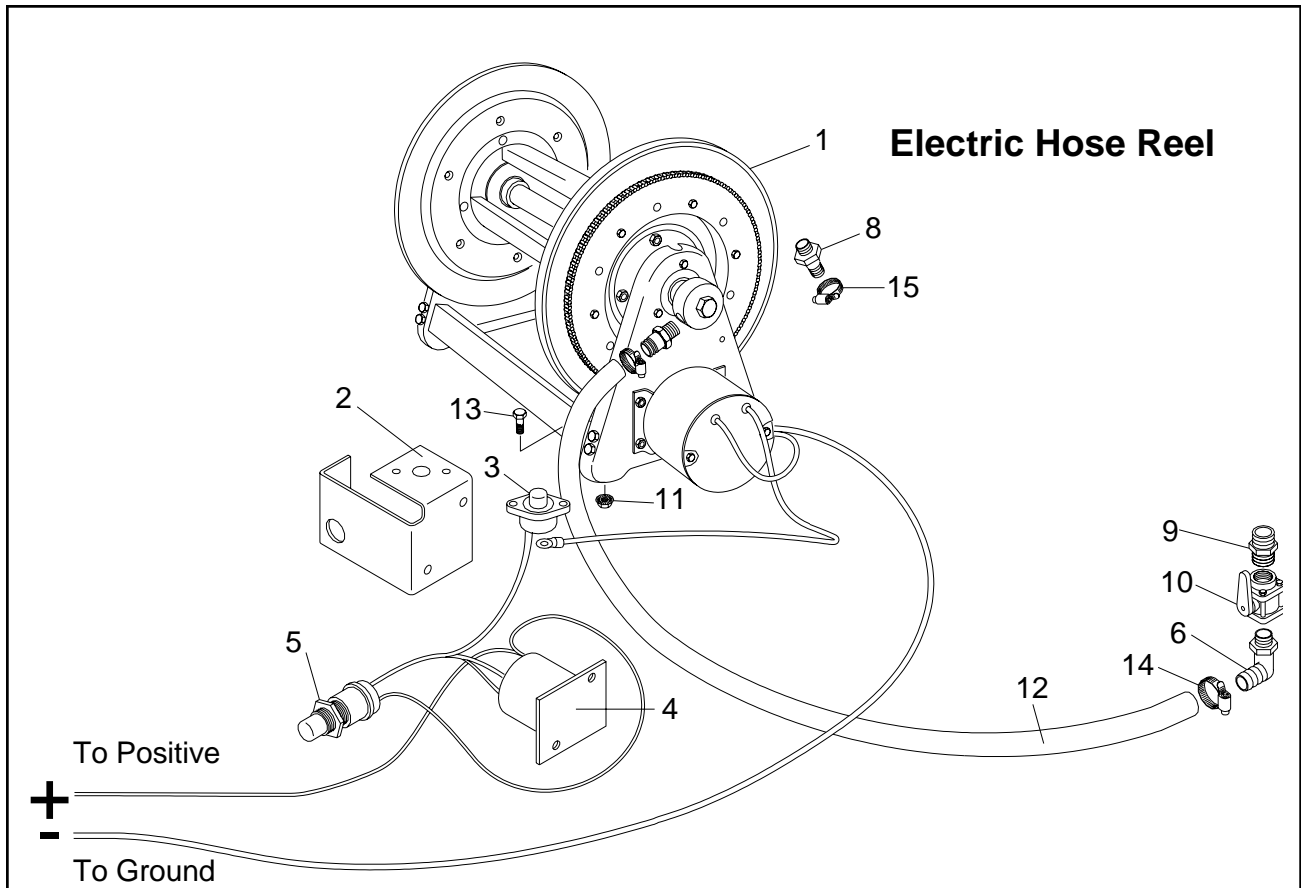
Manual Hose Reel



REF. NO.	PART NO.	QTY	DESCRIPTION
1	● 50023833	1	Manual Hose Reel Assy.
2	50023830	1	Adapter 1/2" MNPT to 1/2" HB
3	50022713	2	Hose Clamp #5 (.44" - .70")
4	44691	4	HHCS 5/16" x 1" G5
5	50005770	4	Locknut 5/16" Serrated
6	50023571	1	Adapter 1/2" MNPT to 3/4" HB
7	50022714	4	Hose Clamp #12 (.56—1.25)
8	50023760	1	Adapter 1" FNPT Ball
9	50023759	1	Valve 1" FNPT Ball
10	50023831	1	Elbow 1" MNPT x 3/4" HB
11	50023829	1	Hose 3/4" - 200 PSI x 6'

●Locke Turf does not service repair parts for the Hose Reel. For repair parts refer to parts manual furnished with hose reel and/or contact:

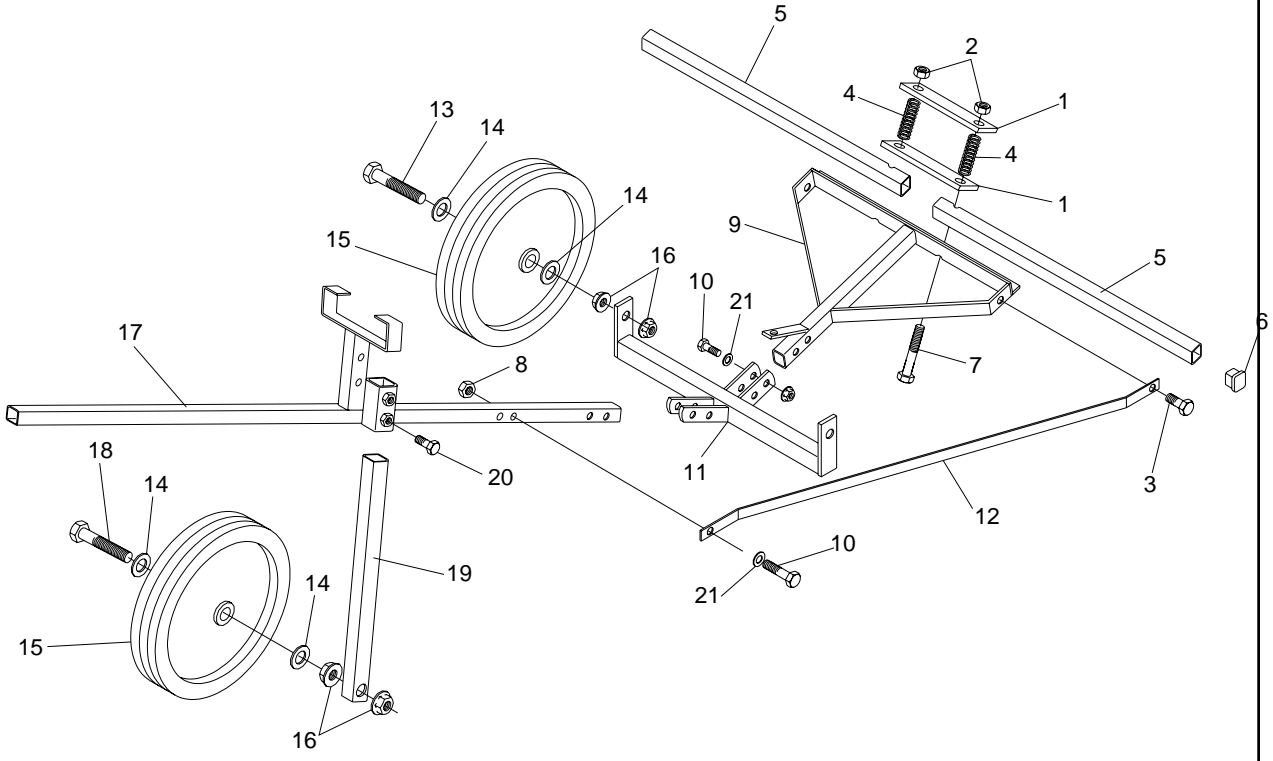
Reelcraft Industries, Inc.
 2842 E. Bus. 30
 P.O. Box 248
 Columbia City, IN 46725
 Phone: 800-444-3134
 219-248-8188



REF. NO.	PART NO.	QTY	DESCRIPTION
1	● 50023852	1	Hose Reel, Electric
2	50023851	1	Bracket, Electric Hose Reel
3	50023850	1	Circuit Breaker
4	50023849	1	Solenoid
5	50023848	1	Switch
6	50023831	1	Elbow 1" MNPT x 3/4" HB
7	50023751	1	Adapter 1/2" MNPT x 3/4" HB
8	50023830	1	Adapter 1/2" MNPT to 1/2" HB
9	50023760	1	Nipple 1" MNPT
10	50023759	1	Valve - Ball 1" FNPT
11	50005770	4	Hex Nut 5/16" Serrated
12	50023829	1	Hose 3/4" 200 PSI - 6'
13	44691	4	HHCS 5/16" x 1" G5
14	50022714	4	Clamp, #12 (.56" - 1.25")
15	50022713	2	Clamp, #5 (.44" - .70")

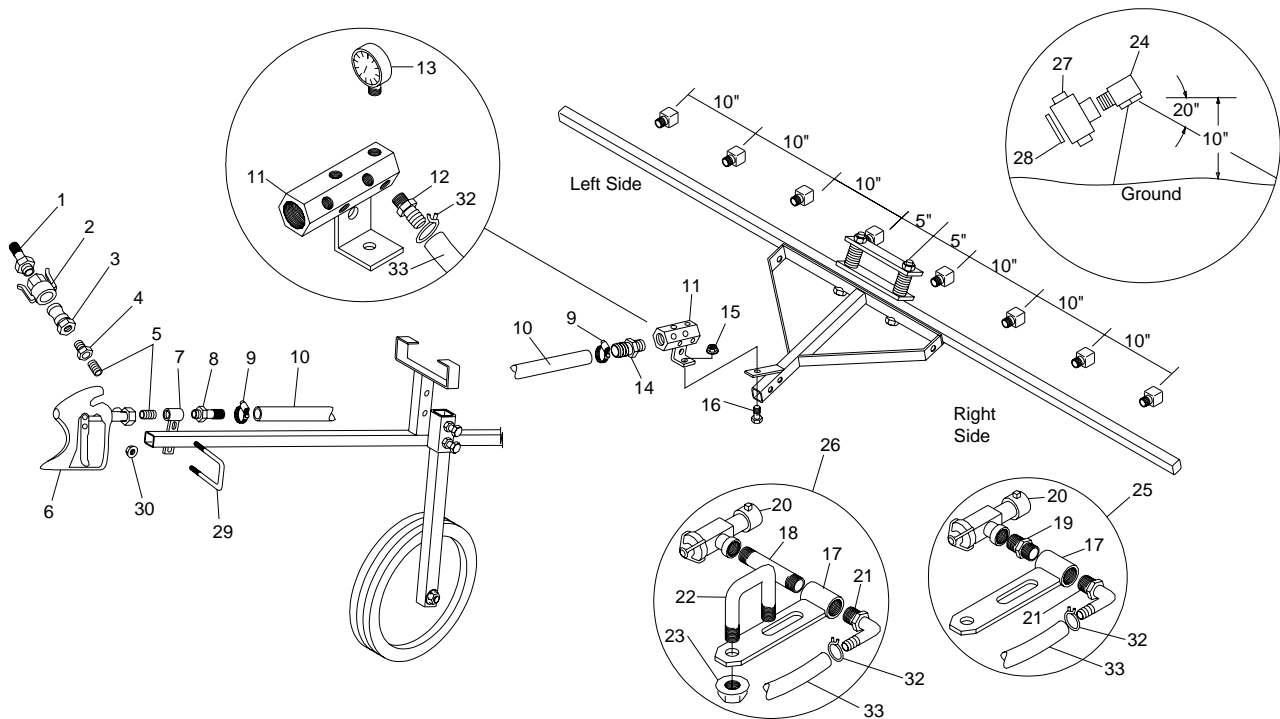
●Locke Turf does not service repair parts for the Hose Reel. For repair parts refer to parts manual furnished with hose reel and/or contact:

Reelcraft Industries, Inc.
2842 E. Bus. 30
P.O. Box 248
Columbia City, IN 46725
Phone: 800-444-3134
219-248-8188



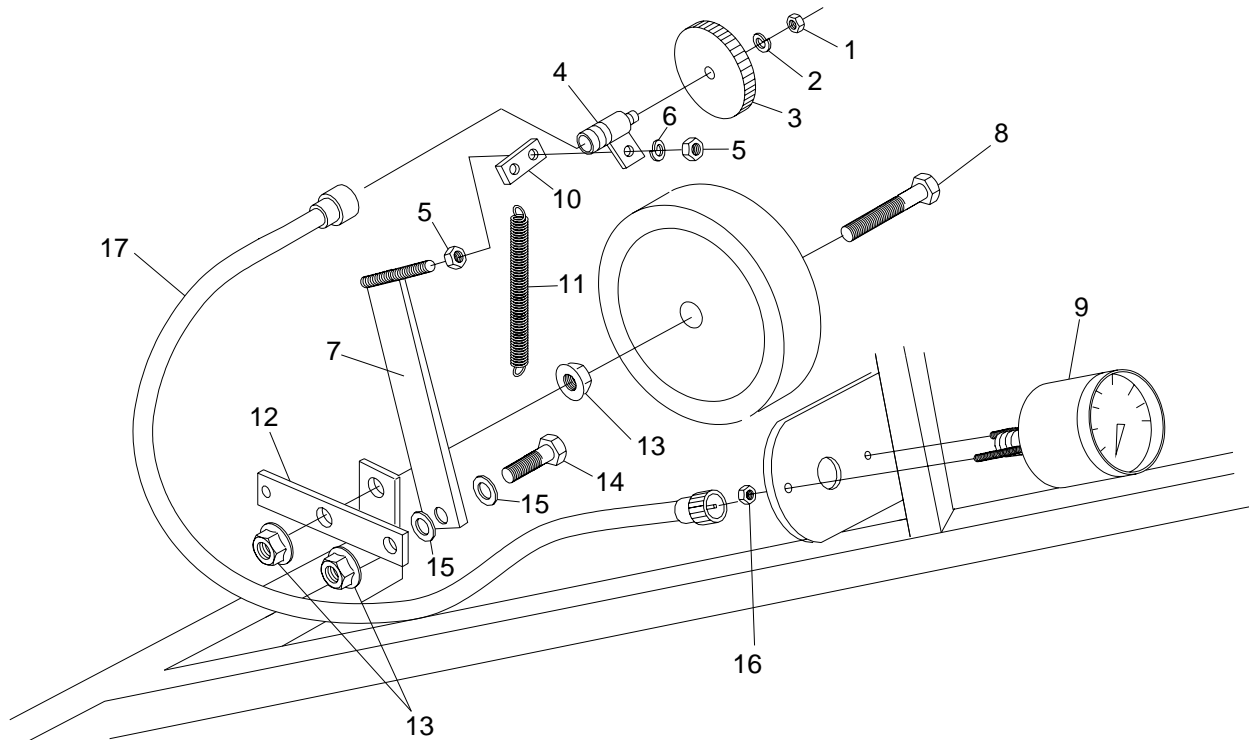
Frame & Mast Walking Boom

REF. NO.	PART NO.	QTY	DESCRIPTION
1	50023876	2	Spring Strap
2	20363	2	Locknut 3/8"
3	1160806	2	HHCS 1/4" x 3/4" G5
4	50023877	2	Spring Compression
5	50023909	2	Boom Tube
6	50022801	4	Cap 1-1/4" Sq.
7	44634	2	HHCS 3/8" x 6" G5
8	15584	7	Locknut 1/4" Flanged Whiz Nut
9	50023871	1	Boom Arm Tube Weld.
10	20083	5	HHCS 1/4" x 1-3/4"
11	50023875	1	Axle Weld.
12	50023910	2	Brace
13	20779	2	HHCS 1/2" x 3-1/2"
14	15916	6	Flatwasher 1/2"
15	50023920	3	Wheel & Tire Assy. 12" x 1-3/4"
16	15554	6	Locknut 1/2" Flanged Whiz Nut
17	50023864	1	Center Handle Weld.
18	20175	1	HHCS 1/2" x 4-1/2" G5
19	50023911	1	Leg, Tube
20	20034	2	HHCS 3/8" x 1" G5
21	44567	2	Flatwasher 1/4"



Walking Spray Attachment

REF. NO.	PART NO.	QTY	DESCRIPTION	REF. NO.	PART NO.	QTY	DESCRIPTION
1	50026375	1	Adapter 3/4" MNPT to 1/2" HB	19	50026358	6	Nipple 1/4"
2	50023905	1	Adapter 3/4" FNPT to 3/4" QC Female	20	50023892	8	Side Port Check Valve
3	50023904	1	Adapter 3/4" FNPT to 3/4" QC Male	21	50023893	8	90° Fitting 1/4" MNPT x 3/8"
4	50023907	1	Adapter 3/4" MNPT to 1/2" FNPT	22	50022860	8	U-Bolt 1/4"
5	50023906	2	Nipple 1/2" MNPT x 1-1/8"	23	44365	16	Locknut 1/4"
6	50023865	1	Spray Gun Assy.	24	50026248	8	Nozzle MC 2.5 SS
7	50023903	1	Coupler Weld	25	50023897	6	Mount Bracket Assy.
8	50023751	1	Adapter 1/2" MNPT to 3/4" HB	26	50023898	1	Mount Bracket Center Assy.
9	50022714	3	Hose Clamp	27	50023895	8	Outlet Adapter
10	50023908	1	Hose 3/4" x 44"	28	50023896	8	Seat Gasket
11	36900140	1	Manifold Weld.	29	50022814	1	U-Bolt 5/16"
12	50023888	8	Adapter 1/4" MNPT to 3/8" HB	30	44625	2	Hex Nut 5/16" Locknut
13	50023917	1	Pressure Gauge 0-100 PSI	31	50023919	1	Gauge & Protector Assy.
14	50023753	1	Adapter 3/4" MNPT to 3/4" HB	32	50023886	16	Wire Hose Clamp
15	20363	1	Locknut 3/8"	33	50023882	2	Hose 3/8" x 24"
16	20034	1	HHCS 3/8" x 1" G5		50023883	2	Hose 3/8" x 26"
17	50023891	8	Nozzle Mount Bracket Weld.		50023884	2	Hose 3/8" x 36"
18	50023894	2	Nipple 1/4" x 3"		50023885	2	Hose 3/8" x 46"



Low Speed Speedometer Kit

REF. NO.	PART NO.	QTY	DESCRIPTION
1	15501	1	Hex Nut 5/16"
2	15808	1	Lockwasher 5/16"
3	50023922	1	Travel Wheel
4	50023923	1	Drive Assy.
5	44639	2	Hex Nut 3/8"
6	15812	1	Lockwasher 3/8"
7	50023925A	1	Extension Rod
8	50023929	1	HHCS 1/2" X 4-1/2" G5
9	50023930	1	Speedometer 0-10 mph
10	50023924	1	Bracket (Short)
11	50023926	1	Spring, Extension
12	50023928	1	Bracket, (Long)
13	20363	1	Locknut 3/8"
14	1161212	1	HHCS 3/8" x 1-1/4"
15	15830	2	Flatwasher 3/8"
16	8150600	2	Hex Nut #10"
17	50023927	1	Flexible Shaft