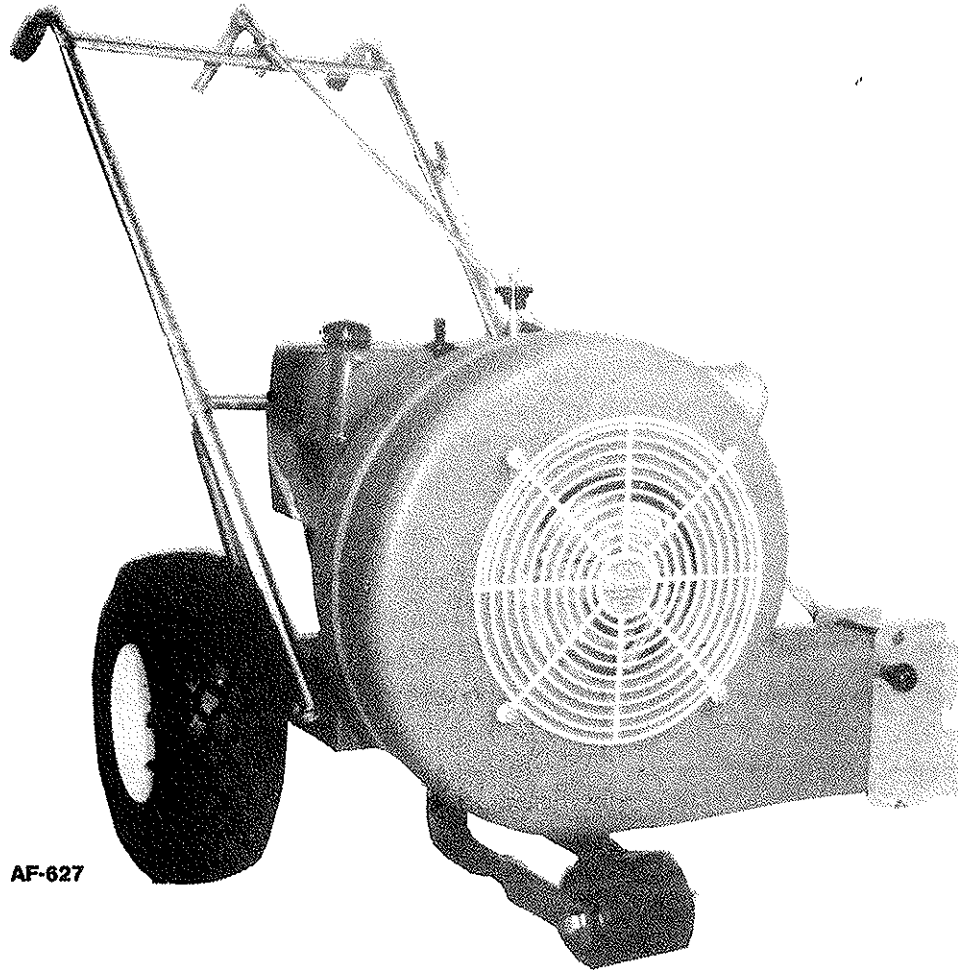


OWNER'S GUIDE



HURRICANE®

MODEL NO. HC-8880-K



AF-627

**READ THESE INSTRUCTIONS
BEFORE SETTING UP AND OPERATING MACHINE**

PARKER SWEEPER COMPANY

Box 1728

Springfield, Ohio 45501-1728

Plate No. 1429 (Rev. 6-14-89)

A-88-89-A

TO THE OWNER

These instructions were written to assist you in the assembly and operation of your Hurricane. **READ THE INSTRUCTIONS** thoroughly **BEFORE** attempting to assemble and operate the machine so that you are familiar with the complete procedure and the safety precautions.

RULES FOR SAFE OPERATION



The following safety precautions are suggested to prevent damage to the equipment or injury to the operator or nearby persons.

1. TO PREVENT ACCIDENTAL STARTING ALWAYS REMOVE THE SPARK PLUG before working on the engine or equipment driven by the engine.
2. DO NOT RUN THE ENGINE IN AN ENCLOSED AREA. Exhaust gases contain carbon monoxide which is an odorless and deadly poison.
3. DO NOT FILL GASOLINE TANK WHILE ENGINE IS HOT OR RUNNING. Spilling gasoline on a hot engine may cause a fire or explosion.
4. DO NOT leave machine unattended while running.
5. DO NOT ALLOW machine to blow in direction of people or objects that could be injured by blown materials.
6. AVOID operating machine in dangerous places where steep slopes or loose debris will endanger the safety of operator or other people.

LUBRICATION

The only lubrication necessary is a couple drops of light oil on the throttle control lever and throttle wire where it enters the cable, also on the moving parts on the exhaust deflector.

OPERATING INSTRUCTIONS

1. Before starting the engine, read the Operating and Maintenance Instruction Manual. Add proper gasoline and oil to correct level.
2. Engine should be "broken in" by running at ½ throttle for 30 minutes and full throttle for an additional 30 minutes.
3. Machine will operate effectively by either pushing or pulling.
4. Your Hurricane Blower can be used as either a Low Blow or Hi Blow depending on the application.
5. For moving heavy debris such as sticks, cleaning out flower beds, anything heavier than leaves, use the Low Blow.
6. For controlled blowing of leaves into windrows and stacking use the Hi Blow.

IMPORTANT

ALWAYS GIVE THE FOLLOWING INFORMATION WHEN ORDERING REPAIR PARTS:

- | | |
|-------------------------------|---------------------------|
| 1. Part Number (Not Ref. No.) | 3. Description of Part |
| 2. Quantity Needed | 4. Model No. of Hurricane |

If unable to obtain parts locally, write down above information and send to:
PARKER SWEEPER CO., BOX 1728, SPRINGFIELD, OHIO 45501

Your unit is right hand (R.H.) or left hand (L.H.) as you stand behind it.

ASSEMBLY INSTRUCTIONS

YOUR SAFETY IS OUR CONCERN. READ ALL SAFETY RULES AND OPERATING INSTRUCTIONS BEFORE ATTEMPTING TO OPERATE THIS EQUIPMENT. FAILURE TO FOLLOW SAFETY RULES AND OPERATING INSTRUCTIONS MAY RESULT IN SERIOUS INJURY.

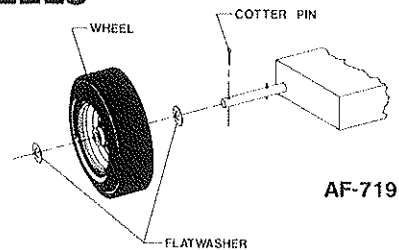
UNPACKING

1. Remove all loose items from the carton.
2. Do not discard the carton or inserts until the unit is completely assembled.
3. Whenever the terms left or right hand, or "L" and "R", are used, it means from a position standing behind the unit facing forward. All hardware is on the unit in its proper location.

ASSEMBLING WHEELS

1. Remove the cotter pin from each end of axle. Also remove one flatwasher from each side.
2. Lift unit and assemble wheels to axles. Replace flatwashers and cotter pins.

NOTE: Wheels must be assembled with grease fitting in hub to the outside. Apply a good grade of grease to each wheel before operating unit.



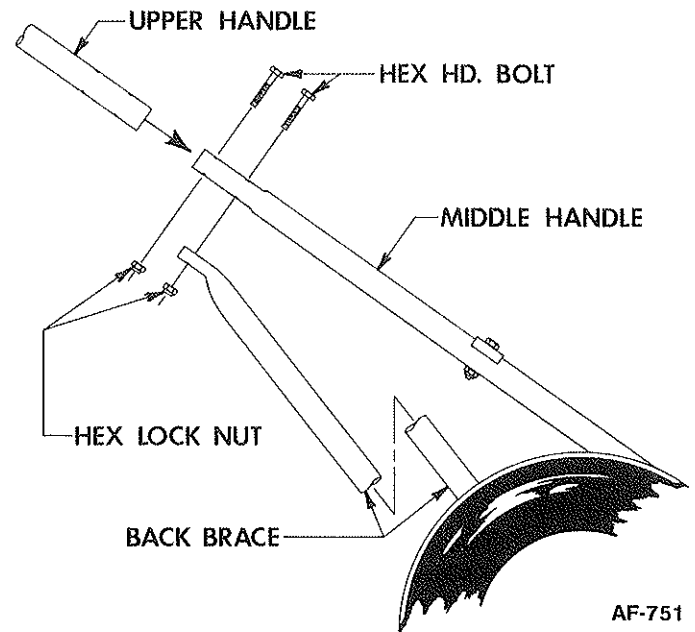
NOTE: See AF-822 Handle Assembly on Plate No. 1431 to the back of this owner's guide for reference to numbers used in the following instructions.

HANDLE ASSEMBLY

1. Remove Hex Hd. Bolts (20) and Hex Lock Nuts (29) from the bottoms of the Upper Handles (1) and (2).
2. Place Upper Handles (1) and (2) over the ends of the Middle Handles (3).
3. Align the lower holes in both Upper and Middle Handles. Replace Hex Hd. Bolts (20), removed in step 1, to each of the lower holes.
4. Lift Handles until the Back Braces (4) can be assembled to Bolts (20) assembled in step 3. Assemble Hex Lock Nuts (29). DO NOT TIGHTEN.
5. Align the upper holes in both Upper and Middle Handles. Assemble the remaining two Hex Hd. Bolts (20) and Hex Lock Nuts (29). DO NOT TIGHTEN.

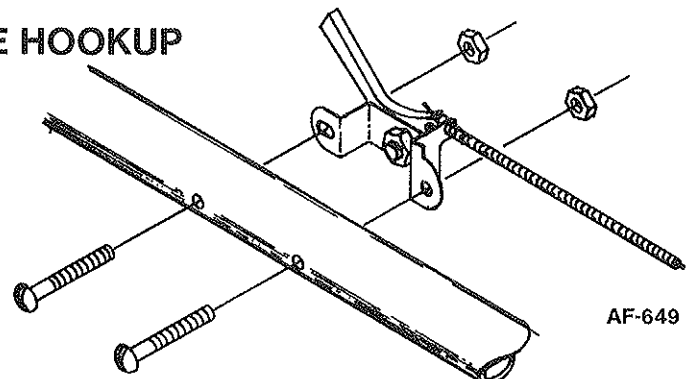
NOTE: Check Alignment of Handle. The Hex Lock Nuts have been left loose to allow movement between the holes and the Bolts. Do not bend tubing to accomplish proper alignment.

6. Once Handles are aligned tighten all Hex Lock Nuts (29). NOTE: Nuts should be tightened enough that at least two of the Bolt threads extend through the Nut. It may be necessary to collapse the tubing SLIGHTLY to accomplish this.



THROTTLE HOOKUP

1. Remove throttle control assembly from shipping position.
2. Straighten the Throttle Cable out and run it up the Left Hand Handles (2) and (3).
3. Attach the Throttle Control (8) to the Upper Left Hand Handle (2) with the two Oval Head Screws (25) and Hex Nuts (28) furnished.
4. Attach Snap-On Clamp (17) to Handle to secure Throttle Cable.
5. Make sure no bends are less than 8" radius.



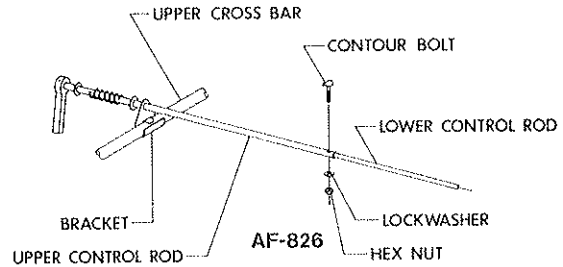
**SAFETY IS IMPORTANT! DO NOT IGNORE IT!
OBSERVE IT! BE SAFE!**

ASSEMBLY INSTRUCTIONS

OBSERVE SAFETY RULES AT ALL TIMES. DON'T TAKE CHANCES!

ASSEMBLING DEFLECTOR CONTROL ROD

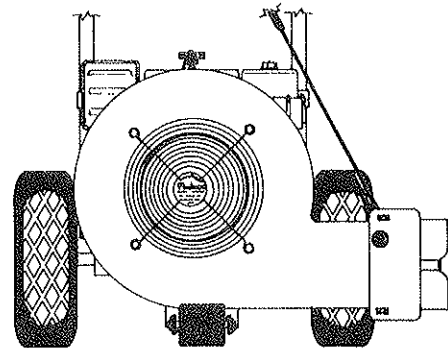
1. Remove the Contour Hd. Bolt (23), Lockwasher (26) and Hex Nut (27) from lower end of Upper Control Rod (10).
2. Place lower end of Upper Control Rod (10) down through hole in Bracket (9) on Upper Cross Bar (5).
3. Lift free end of Lower Control Rod (11) and place inside lower end of Upper Control Rod (10). Align holes and reassemble hardware from step 1.



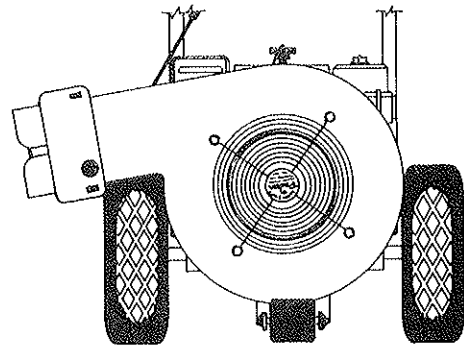
OPERATION AND MAINTENANCE INSTRUCTIONS

WARNING: The engine contains no oil when shipped. Read the Engine Instruction Manual and add the proper type and amount of oil and gas before starting engine.

1. Read engine manual carefully. Be sure to know how to start and stop engine operating unit.
2. The unit is designed to operate at full throttle, and will work effectively by either pushing or pulling.
3. To clean an area, start at the outer perimeter and blow the material toward the center.
4. When cleaning large areas or if debris is very dense, it may be best to split the area into smaller plots and blow the material into several small piles rather than one large one. As the area being cleaned becomes smaller, reduce the engine speed to prevent blowing the collected debris into the area already cleaned.
5. The Blower Housing can be adjusted to the "Hi" or "Low" blowing position depending on the job being performed.
6. Place the Blower Housing in the "Low Blow" position with the Exhaust Deflector straight out from side of unit for blowing dry leaves and other light debris.
7. For blowing heavier debris such as wet leaves, twigs and small sticks, place Blower Housing in "Low Blow" position with Exhaust Deflector aimed downward.
8. Place the Blower Housing in the "Hi Blow" position for stacking leaves in piles or windrows. The Exhaust Deflector should be adjusted to achieve desired effect.



Blower Housing in the Low Blow position.



Blower Housing in the Hi Blow position.

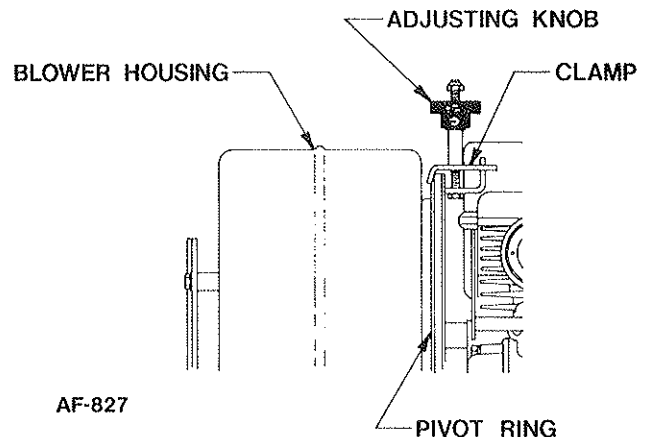
ADJUSTING BLOWER HOUSING "HI or LOW"

CAUTION: When adjusting Blower Housing, engine must be shut off and spark plug wire disconnected.

1. Loosen Adjusting Knob, do not remove, that holds Clamp against Pivot Ring of Blower Housing.
2. Pivot Blower Housing to desired position and tighten Adjusting Knob.

NOTE: It is not necessary to detach the Deflector Control Rod Assembly.

3. It is possible to control the air flow from the operating position. Turn Exhaust Control Lever to change deflection angle of Exhaust Deflector.



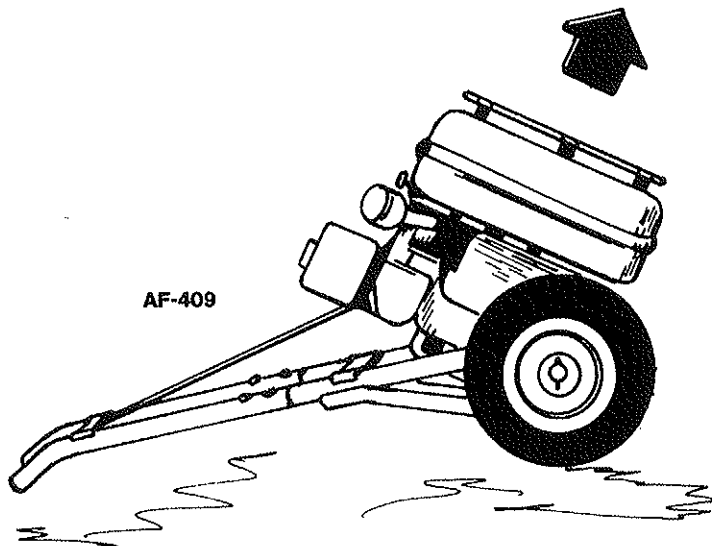
IMPORTANT WARNING: the engine contains NO OIL. Read the Engine Instruction Manual carefully before operating. Be sure you know how to start and stop the engine before proceeding further. Do not start the engine until all assembly is finished.

CAUTION: Before starting to work on the Engine or the equipment driven by the Engine, always remove the spark plug to prevent accidental starting.

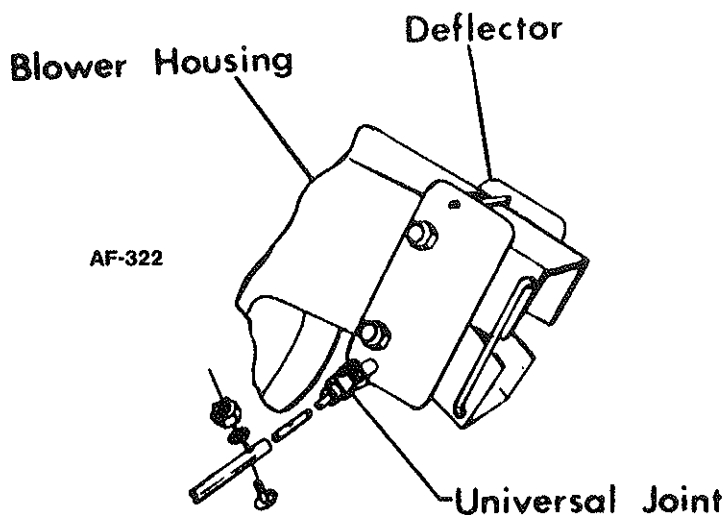
INSTRUCTIONS FOR REMOVING OR INSTALLING THE BLOWER HOUSING

To Remove the Blower Housing:

1. Push the handle of the Hurricane down until the handle is resting on the ground,



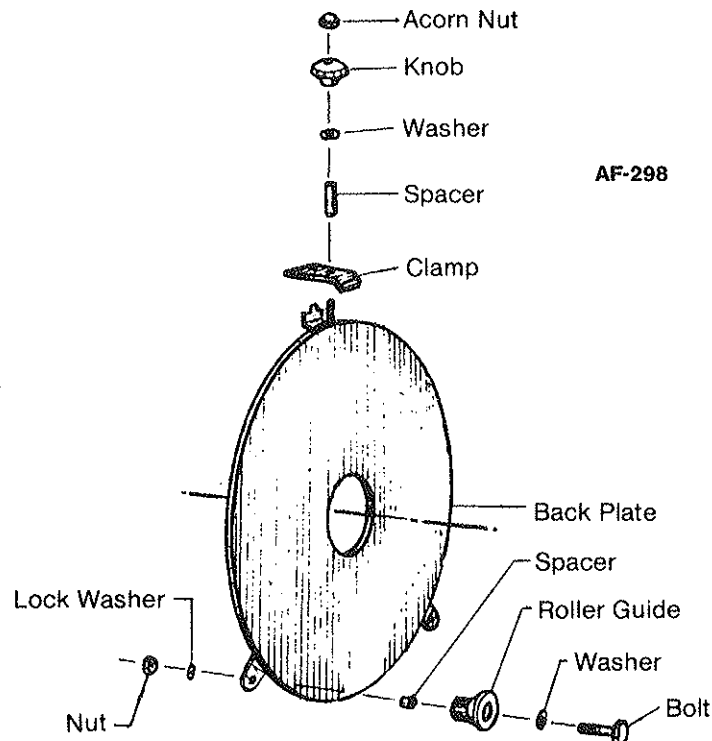
2. Remove the contour head bolt, hex. nut and lock washer, holding the upper and lower control rods together.



3. To loosen the top of the blower housing, unscrew the knob and remove the washer, spacer and clamp.
4. To loosen the bottom of the blower housing, remove the roller guides by unscrewing the nuts on each side.
5. Remove the lock washers and pull out the roller guides bringing the bolts, washers and spacers with them.
6. Remove the blower housing by lifting it off the fan.

To Install the Blower Housing:

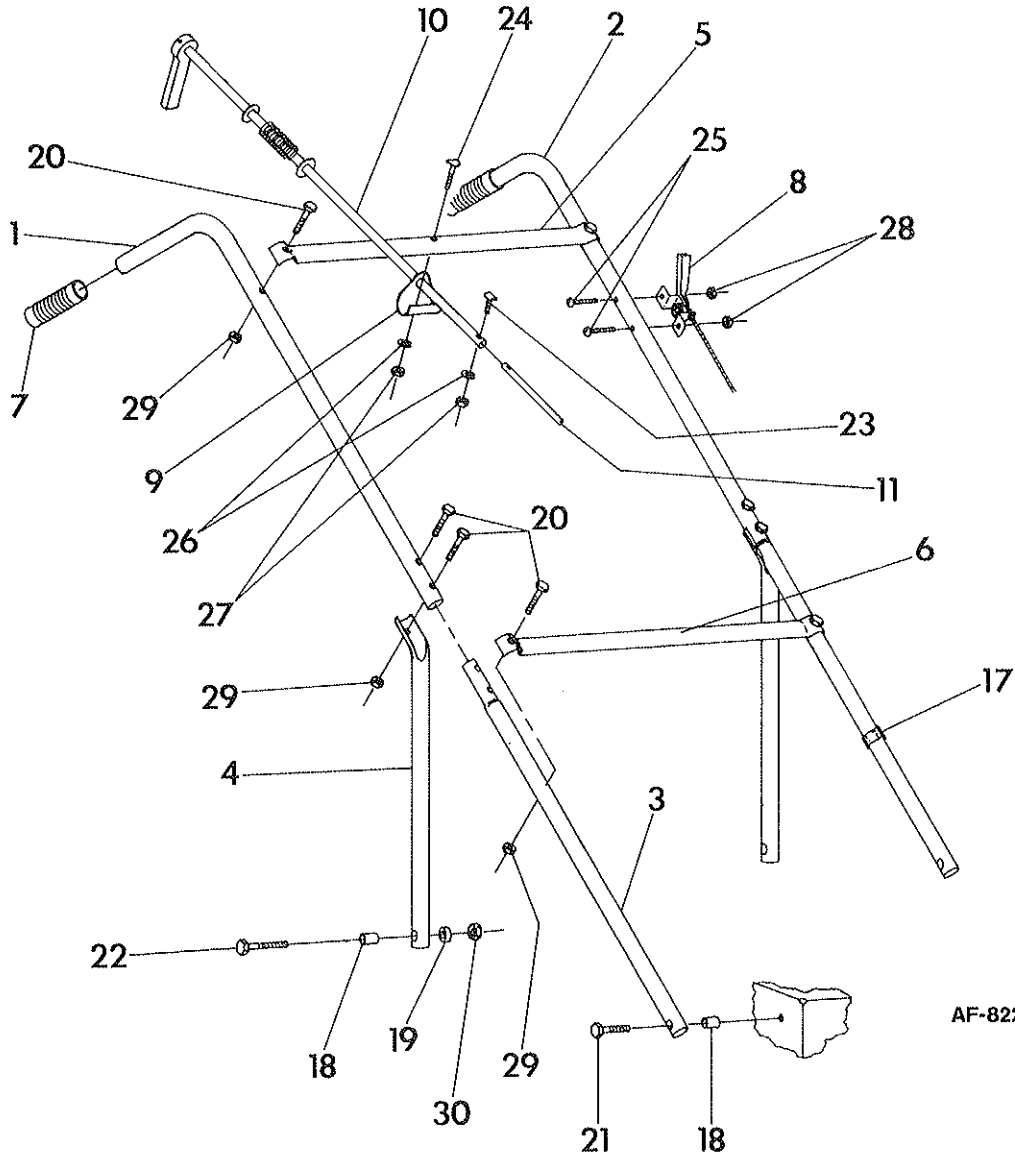
1. Place the blower housing over the fan and position the pivot ring against the back plate.
2. Re-insert the bolts with the roller guides, washers and spacers.
3. Add the washer, screw on the nut, and tighten.
4. At the top of the housing, replace the clamp, spacer, washer and screw on the knob.



CAUTION: Replace the spark plug, but before attaching the ignition wire to the spark plug, pull the recoil starter cord to rotate the fan, to make sure the fan can rotate freely.

Attach the ignition wire to the spark plug and your Hurricane Blower is ready for operation.

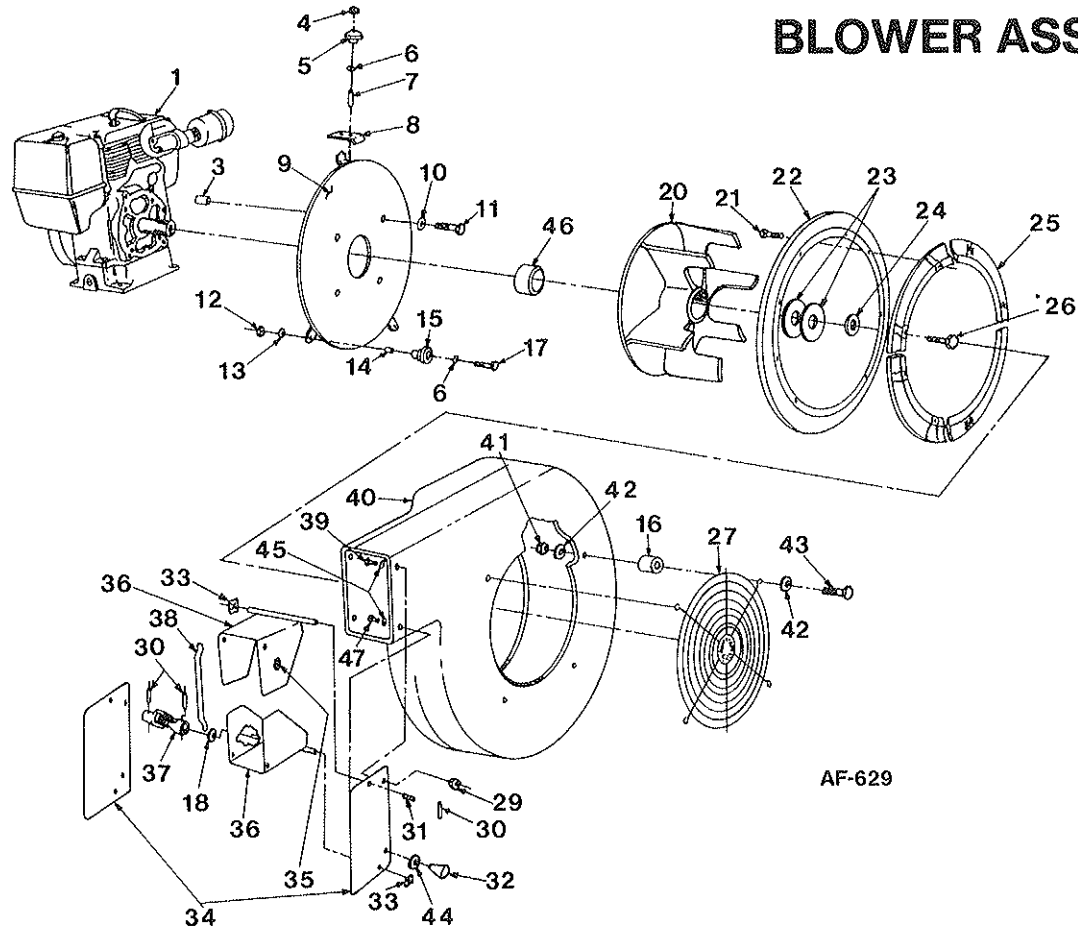
HANDLE ASSEMBLY



PARTS LIST

Ref. No.	Part No.	Qty. Per Unit	Description	Ref. No.	Part No.	Qty. Per Unit	Description
1	80-321-C	1	Upper Handle R.H.	Items listed below are available thru local Hardware, Lumber and Auto supply stores. Grade 5 is recommended.			
2	83-18-C	1	Upper Handle L.H.	20		8	Bolt, Hex Hd. 1/4-20 x 1 1/2
3	82-149-B	2	Middle Handle	21		2	Bolt, Hex Hd. 5/16-18 x 1 1/2
4	88-94-C	2	Handle Back Brace	22		2	Bolt, Hex Hd. 5/16-18 x 2
5	82-249-B	1	Upper Cross Bar	23		1	Bolt, Contour Hd. 1/4-20 x 1
6	81-58-B	1	Lower Cross Bar	24		1	Bolt, Contour Hd. 1/4-20 x 1 1/2
7	80-232-A	2	Handle Grip	25		2	Screw, Rd. Hd. Mach. #10-24 x 1 1/4
8	83-25-B36	1	Throttle Control	26		2	Lockwasher, Spring 1/4
9	82-252-A	1	Bracket	27		2	Nut, Plain Hex 1/4-20
10	SA-909-B	1	Upper Control Rod	28	365-10	2	Nut, Hex Lock #10-24
11	SA-1581-A	1	Lower Control Rod	29	365-416	8	Nut, Hex Lock 1/4-20
17	80-276-A	1	Clamp - Snap On	30	365-516	2	Nut, Hex Lock 5/16-18
18	80-238-A	4	Insert				
19	81-120-A	2	Spacer				

BLOWER ASSEMBLY



AF-629

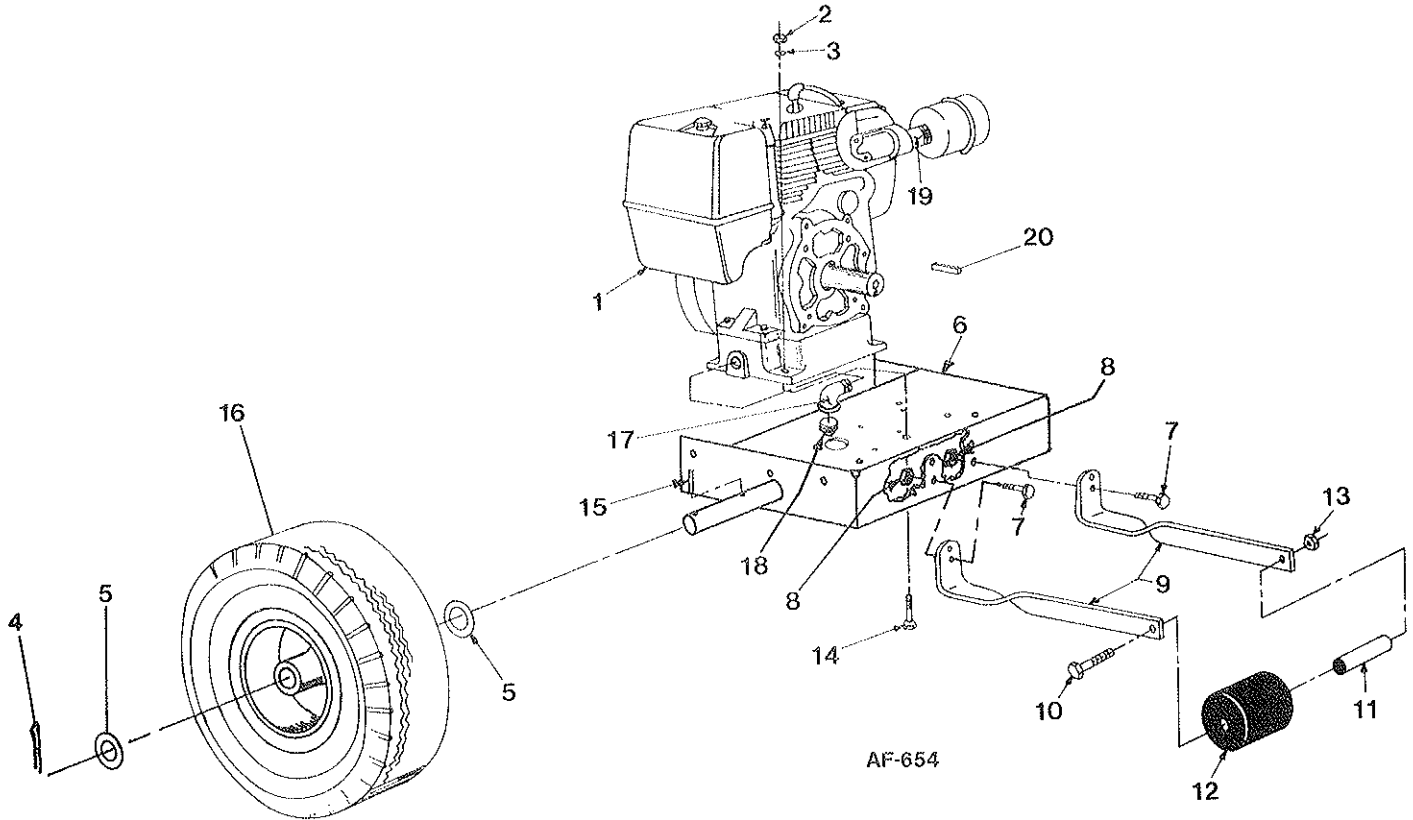
PARTS LIST

Ref. No.	Part No.	Qty. Per Unit	Description	Ref. No.	Part No.	Qty. Per Unit	Description
1	**	1	Engine	25	73-123-C	4	Anti-Wrap
3	79-139-A	4	Spacer - Back Plate	26*	60-716-24	1	Bolt, Fan, 7/16-20 x 1 1/2
4	365-516	1	Nut, Hex Lock 5/16-18	27	82-121-C	1	Grill
5	79-94-A	1	Knob	29	365-416	3	Nut, Hex Lock 1/4-20
6	945-516	3	Washer, 5/16	30	60-62-A	3	Roll Pin, 1/8 Dia. x 3/4
7	79-67-A	1	Spacer	31	73-372-A	1	Spring
8	79-51-A	1	Clamp	32	75-79-A	1	Knob
9	80-316-C	1	Back Plate Weldment	33	75-80-A	2	Shaft Retainer
10	935-616	4	Washer, Spring Lock 3/8	34	73-124-B	2	Exhaust Side Plate
11	65-616-24	4	Bolt, Hex Hd., 3/8-16 x 1 1/2	35	73-406-A	1	Friction Disc
12	335-516	2	Nut, Hex, 5/16-18	36	73-125-B	2	Exhaust Deflector Weldment
13	935-516	2	Washer, Lock, 5/16	37	82-251-A	1	Universal Joint
14	80-101-A	2	Bushing	38	73-126-A	1	Link, Exhaust Deflector
15	80-144-A	2	Guide, Roller	39	65-416-12	3	Bolt, Hex Hd. 1/4-20 x 3/4
16	82-142-A	4	Spacer	40	82-118-D	1	Blower Housing
17	65-516-20	2	Bolt, Hex Hd. 5/16-18 x 1 1/4	41	364-416	4	Nut, Hex Lock 1/4-20
18	81-120-A	1	Spacer	42	945-416	8	Flatwasher, Plain 1/4
20	73-118-D	1	Fan Wheel	43	65-416-24	4	Bolt, Hex Hd. 1/4-20 x 1 1/2
21	505-416-24	8	Screw, Flat Hd. 1/4-20 x 1 1/4	44	935-416	1	Lockwasher, Spring 1/4
22	79-129-C	1	Pivot Ring	45	945-416	4	Flatwasher, Plain 1/4
23	82-138-B3	2	Special Washer	46	88-170-A	1	Spacer, Fan (Kohler)
24	935-716	1	Lockwasher, Spring 7/16	47	65-416-10	1	Bolt, Hex Hd. 1/4-20 x 5/8

*7/16 Bolt Torque to 45 to 49 ft. lbs.

**Kohler Model: M8T Spec. PA-301551.

ENGINE ASSEMBLY



PARTS LIST

Ref. No.	Part No.	Qty. Per Unit	Description
1	**	1	Engine
*** 2	365-616	4	Nut, Hex Lock 3/8
*** 3		4	Flatwasher, Plain 3/8
*** 4		2	Cotter Pin 1/8 x 1 1/4
*** 5		4	Flatwasher, Plain 3/4
6	88-91-C	1	Chassis Weldment
*** 7		4	Bolt, Hex Hd. 1/4-20 x 3/4
*** 8	365-416	4	Nut, Hex Lock 1/4-20
9	82-147-B	2	Roller Support
***10	60-816-88	1	Bolt, Hex Hd. 1/2-20 x 5 1/2
11	84-259-A	1	Bushing
12	66-436-A	1	Rubber Roller
***13	363-816	1	Nut, Hex Lock 1/2-20
***14		4	Bolt Hex Hd. 3/8-16 x 1 1/4
15	67-521-A	2	Roll Pin
*16	SA-231-B	2	Wheel Assembly
17	57-81-A	1	Street Elbow, 1/2 x 90°, Galvanized
18	—	1	Plug (Supplied with Engine)
19	72-291-A	1	Black Pipe Nipple 1 x 3
20	63-130-A	1	Key

*Inflate to a Max of 30 lbs.

**Kohler Model: M8T Spec. PA-301551.

***These items are available thru local Hardware, Lumber and Auto supply stores.
Grade 5 is recommended.