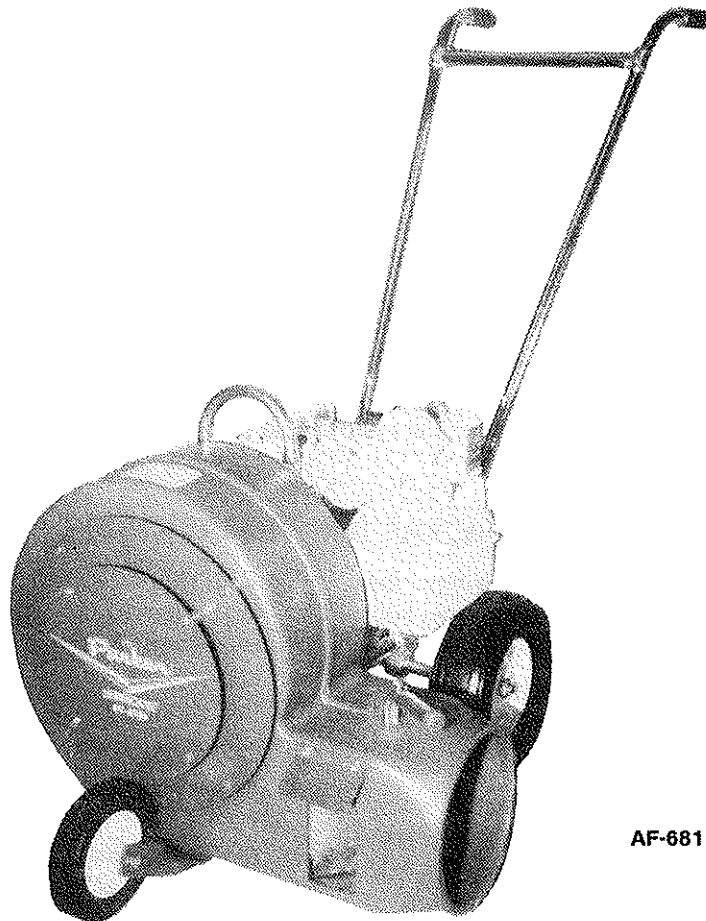


OWNER'S GUIDE



HURRICANE®

MODEL HT-8750



AF-681

**READ THESE INSTRUCTIONS
BEFORE SETTING UP AND OPERATING MACHINE**

**BE SAFE. PROTECT YOUR FAMILY, YOUR FRIENDS, YOURSELF.
OBSERVE ALL SAFETY INSTRUCTIONS.**

PARKER SWEEPER COMPANY

Box 1728

Springfield, Ohio 45501-1728

Plate No. 1200 (Rev. 10-13-88)

A-87-17-A

TO THE OWNER

RULES FOR SAFE OPERATION



The following safety precautions are suggested to prevent damage to the equipment or injury to the operator or nearby persons.

1. TO PREVENT ACCIDENTAL STARTING ALWAYS REMOVE THE SPARK PLUG before working on the engine or equipment driven by the engine.
2. DO NOT RUN THE ENGINE IN AN ENCLOSED AREA. Exhaust gases contain carbon monoxide which is an odorless and deadly poison.
3. DO NOT FILL GASOLINE TANK WHILE ENGINE IS HOT OR RUNNING. Spilling gasoline on a hot engine may cause a fire or explosion.
4. DO NOT leave machine unattended while running.
5. DO NOT ALLOW machine to blow in direction of people or objects that could be injured by blown materials.
6. AVOID operating machine in dangerous places where steep slopes or loose debris will endanger the safety of operator or other people.

ALWAYS GIVE THE FOLLOWING INFORMATION WHEN ORDERING REPAIR PARTS:

IMPORTANT!

- | | |
|-------------------------------|---------------------------|
| 1. PART NUMBER (Not Ref. No.) | 3. DESCRIPTION OF PART |
| 2. QUANTITY NEEDED | 4. MODEL NO. OF HURRICANE |

If unable to obtain parts locally, write down the above information and send to:
PARKER SWEEPER CO., P.O. Box 1728, Springfield, Ohio 45501-1728

ASSEMBLY INSTRUCTIONS

The unit covered in this owner's guide is shipped complete in one carton and will take a minimum amount of time and effort to assemble. Follow all instructions carefully. All hardware is on the unit in its proper location. If something is missing, notify the dealer/distributor where unit was purchased. If unable to obtain parts locally, contact the Parker Sweeper Company.

GENERAL INFORMATION

1. With carton open and top insert removed, remove the Upper Handles and Front Wheel. Also, remove the side inserts that fit over Wheels.
2. Lay carton over so the back of unit is toward floor.
3. Lift up and pull back on Lower Handles to disengage Wheels from the lower inserts. Pull unit out of carton.
4. Set carton and inserts aside. Do Not discard any of the inserts or the carton until the unit is completely assembled.
5. **CAUTION!** Never work on the unit without first removing the spark plug wire from the spark plug. This will prevent false starting of the engine. Check to make sure spark plug wire is disconnected before continuing these instructions.
5. Read through the Owner's Guide once to familiarize yourself with the assembly procedure, maintenance and operation of the unit.
6. Many times the exploded view to the back of this Owner's Guide can aid in the assembly of the unit.

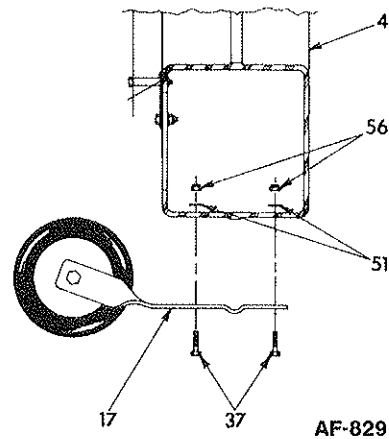
OBSERVE SAFETY RULES AT ALL TIMES. DON'T TAKE CHANCES!

ASSEMBLY INSTRUCTIONS

ASSEMBLING FRONT WHEEL TO UNIT

NOTE: The numbers in parenthesis refer to those used in the adjoining AF-829 and the exploded view of HT-8750 on plate number 1203 to the back of this Owner's Guide.

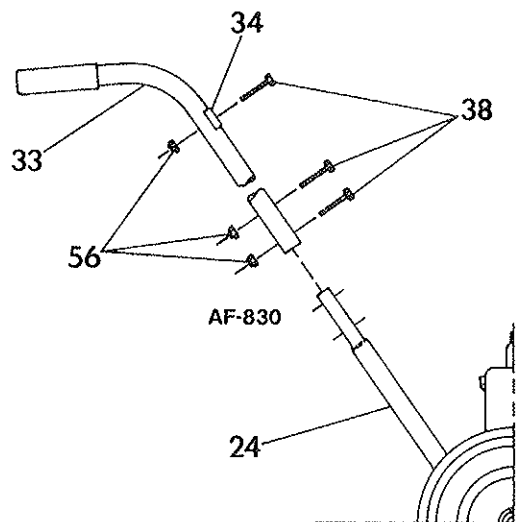
1. Remove Hex Hd. Bolts (37), Flatwashers (51) and Hex Lock Nuts (56) from Wheel Arm (17).
2. Insert Hex Hd. Bolts (37) up through two holes in Wheel Arm (17).
3. Place Wheel Arm (17) to bottom of Blower Housing (4), inserting Bolts (37) through holes in Housing (4).
4. Assemble one Flatwasher (51) to each Bolt (37) and secure with Hex Lock Nuts (56).



ASSEMBLING UPPER HANDLES TO UNIT

NOTE: The numbers in parenthesis refer to those used in the adjoining AF-830 and the exploded view of HT-8750 on plate number 1203 to the back of this Owner's Guide.

1. Remove the Hex Hd. Bolt (38) and Lock Nut (56) from top hole in Upper Handle (33) that is not assembled with Cross Brace (34).
2. Align hole in Upper Handle (33) with hole in Cross Brace (34) and reassemble Hex Hd. Bolt (38) and Lock Nut (56). DO NOT TIGHTEN.
3. Remove the four Hex Hd. Bolts (38) and Lock Nuts (56) from lower ends of Upper Handles (33).
4. Slide Upper Handles (33) down over ends of Lower Handles (24). Align holes and reassemble Hex Hd. Bolts (38) and Lock Nuts (56).
5. Tighten all hardware.



OPERATION AND MAINTENANCE INSTRUCTIONS

WARNING: The engine contains no oil when shipped. Read the Engine Instruction Manual and add the proper type and amount of oil and gas before starting engine.

1. Read engine manual carefully. Be sure to know how to start and stop engine before operating unit.
2. Replace spark plug wire to spark plug.
3. Engine should be "broken in" by running at 1/2 throttle for 30 minutes and full throttle for an additional 30 minutes.
4. The unit is designed to operate at full throttle, and will work effectively by either pushing or pulling.
5. To clean an area, start at the outer perimeter and blow the material toward the center. Clean a row against buildings and fencerows by turning deflector stem to the front, this will channel the air out the front of exhaust chute. Turn deflector stem to the side and work to the center from clean path.

6. When cleaning large areas or if debris is very dense, it may be best to split the area into smaller plots and blow the material into several small piles rather than one large one. As the area being cleaned becomes smaller, reduce the engine speed to prevent blowing the collected debris into the area already cleaned.

7. Check engine oil level every time engine is refueled.

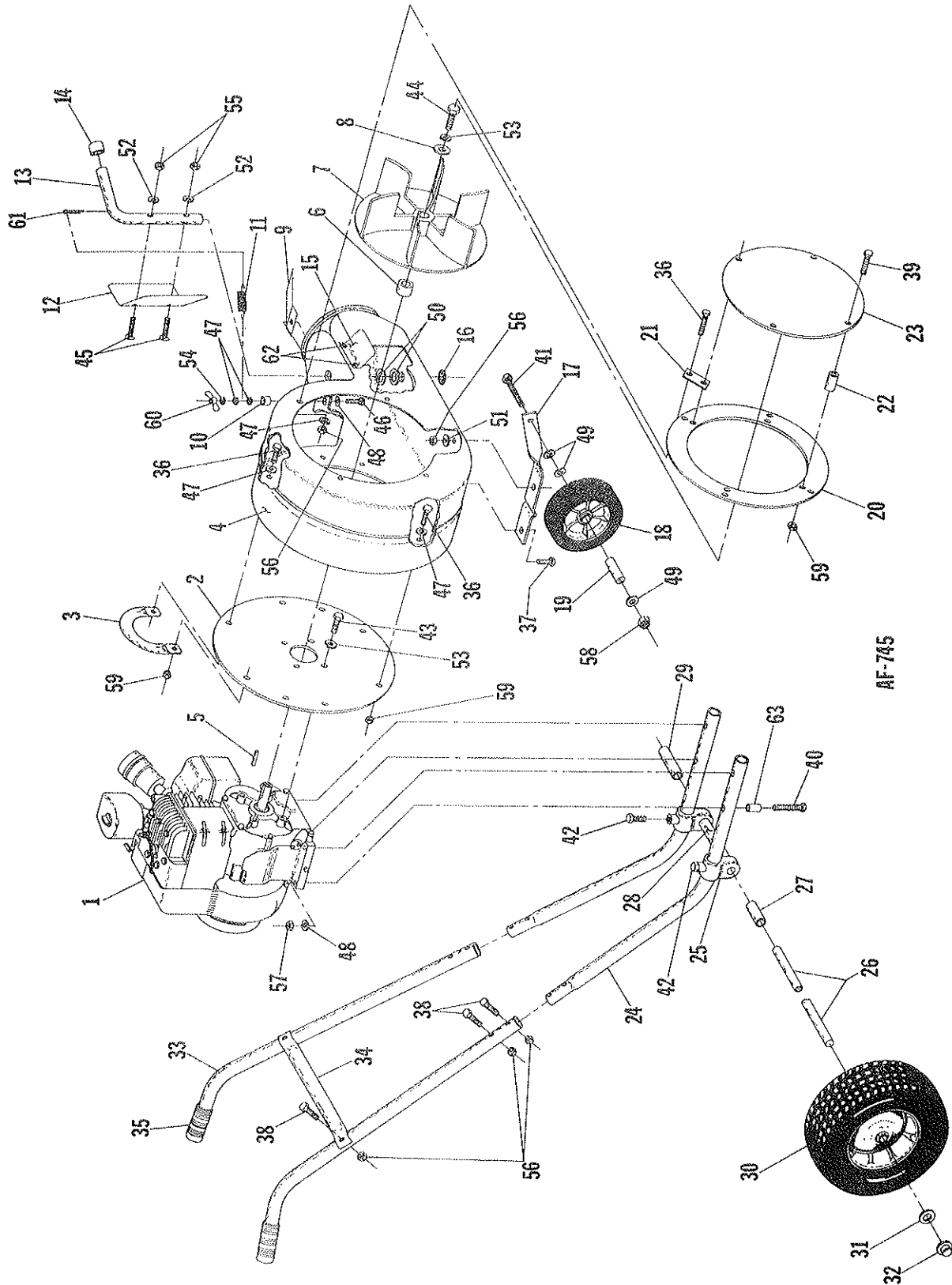
WARNING: When refueling, care should be taken not to spill fuel on hot engine. This could cause the fuel to ignite, resulting in serious injury to operator or damage to unit.

8. KEEP ENGINE CLEAN.

Refer to Engine Manufacturer's Service Manual. Careful attention to care of air cleaner and crankcase lubrication instructions will insure longer engine life.

NOTE: FAILURE TO OBSERVE SAFETY INSTRUCTIONS MAY RESULT IN SERIOUS INJURY.

UNIT ASSEMBLY HT-8750



UNIT ASSEMBLY HT-8750

PARTS LIST

Ref. No.	Part No.	Qty. Per Unit	Description
1	**	1	Engine, 5 H.P. B&S
2	61-02-C	1	Back Cover
3	87-01-C	1	Lift Handle
4	86-162-D	1	Blower Housing
5	61-65-A	1	Engine Key
6	84-186-A	1	Fan Spacer
7	87-147-D	1	Fan Wheel
8	82-138-B1	1	Special Washer
9	87-140-C	1	Deflector
10	81-45-A	1	Spacer
11	74-167-A	1	Spring
12	86-163-D	1	Deflector Vane
13	86-164-C	1	Deflector Handle
14	62-217-A	1	Plastic Cap
15	86-165-B	1	Deflector
16	87-148-A	1	Retaining Ring
17	86-159-D	1	Wheel Arm
18	83-177-C	1	Wheel
19	87-05-A	1	Spacer
20	86-167-D	1	Fan Guard Ring
21	87-146-A	4	Retainer
22	80-225-A	4	Spacer
23	86-166-C	1	Fan Guard Disc
24	86-120-D	2	Lower Handle
25	87-02-B	2	Support
26	86-119-B	1	Axle
27	86-118-A200	1	Axle Spacer
28	86-118-A550	1	Axle Spacer
29	86-118-A375	1	Axle Spacer
30	84-137-C	2	Wheel
31	55-161-A	2	Special Washer
32	86-121-A	2	End Cap
33	80-321-C	2	Upper Handle
34	86-160-C	1	Cross Brace
35	80-232-A	2	Handle Grip
36	65-416-12	12	Bolt, Hex Hd. 1/4-20 x 3/4
37	65-416-16	2	Bolt, Hex Hd. 1/4-20 x 1
38	65-416-24	6	Bolt, Hex Hd. 1/4-20 x 1 1/2
39	65-416-28	4	Bolt, Hex Hd. 1/4-20 x 1 3/4
40	65-516-40	4	Bolt, Hex Hd. 5/16-18 x 2 1/2
41	65-616-40	1	Bolt, Hex Hd. 3/8-16 x 2 1/2
42	67-616-32	2	Bolt, Hex Hd. (Full Thd.) 3/8-16 x 2
43	60-516-10	4	Bolt, Hex Hd. 5/16-24 x 5/8
*44	60-516-16	1	Bolt, Hex Hd. 5/16-24 x 1
45	69-416-20	2	Bolt, Contour Hd. 1/4-20 x 1 1/4
46	70-416-20	1	Bolt, Carriage 1/4-20 x 1 1/4
47	945-416	14	Flatwasher, Plain 1/4
48	945-516	5	Flatwasher, Plain 5/16
49	945-616	3	Flatwasher, Plain 3/8
50	945-1216	2	Flatwasher, Plain 3/4
51	960-416	2	Flatwasher, Plain (Wide) 1/4
52	935-416	2	Lockwasher, Spring 1/4
53	935-516	5	Lockwasher, Spring 5/16
54	936-416	1	Lockwasher, Int. Tooth 1/4
55	335-416	2	Nut, Plain Hex 1/4-20
56	365-416	12	Nut, Hex Lock 1/4-20
57	365-516	4	Nut, Hex Lock 5/16-18
58	365-616	1	Nut, Hex Lock 3/8-16
59	364-416	12	Nut, Hex Lock (thin) 1/4-20
60	351-416-18	1	Wing Nut
61	380-532-12	1	Cotter Pin
62	534-8-6	2	Screw, Sheet Metal #8-32 x 3/8
63	80-238-A	4	Insert

*Torque to 18 to 22 foot pounds

**Briggs & Stratton model no. 130212 Spec. 3120-01

