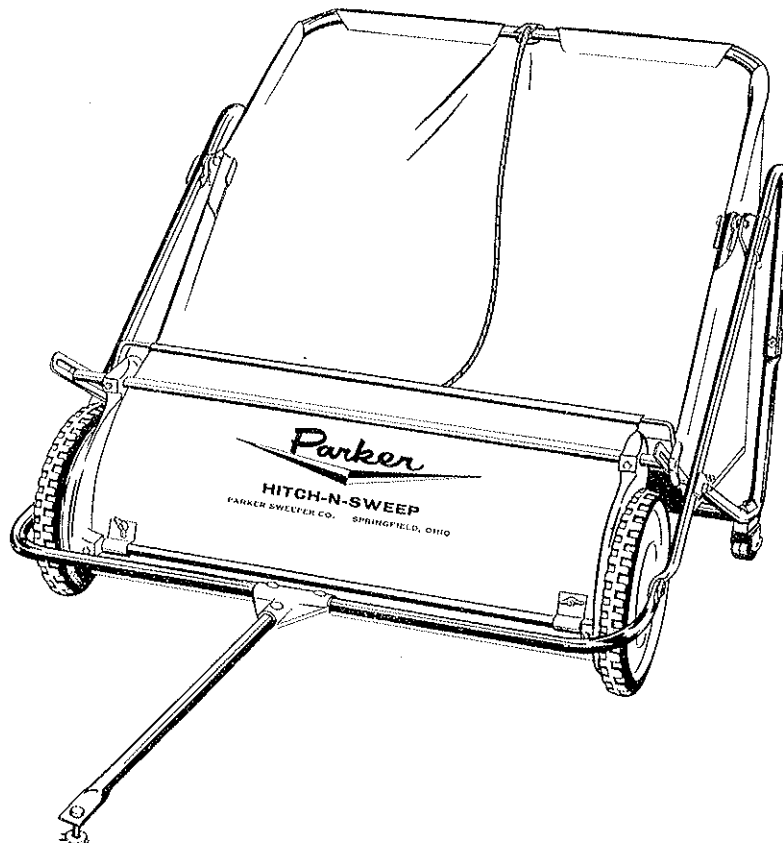


OPERATING INSTRUCTIONS AND PARTS LIST  
FOR



**HS-6225 HITCH-N-SWEEP**



NOTICE: These instructions were written to assist you in assembling your Lawn Sweeper quickly and correctly. Read instructions thoroughly before attempting assembly so that you are familiar with the complete procedure.

**PARKER SWEEPER COMPANY**

BOX  1728

SPRINGFIELD, OHIO 45501-1728

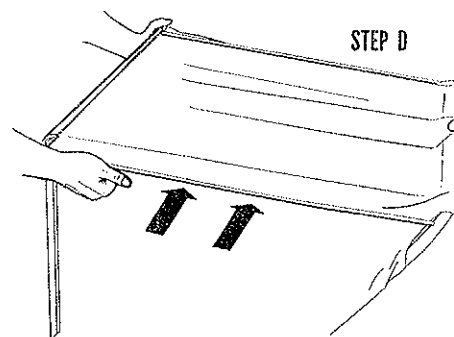
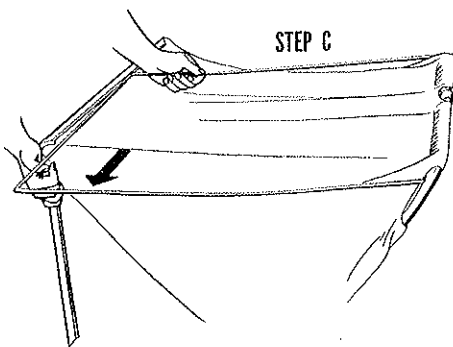
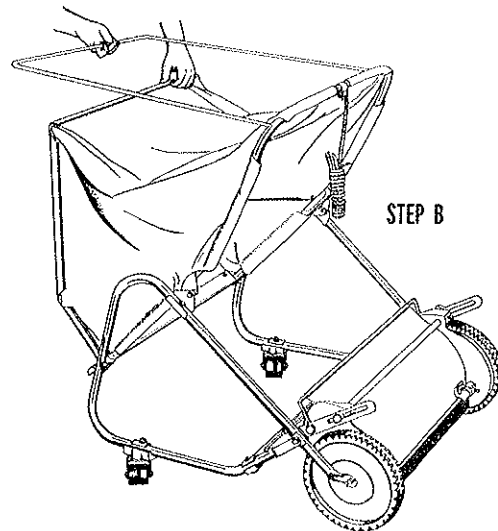
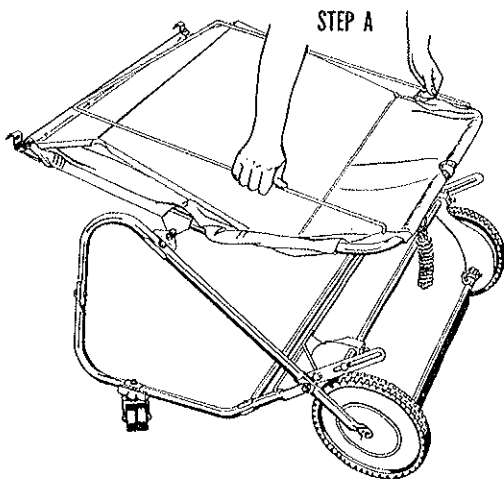
## ASSEMBLY INSTRUCTIONS

1. Remove tie strings from the sweeper and set the basket aside.
2. Assemble upper support frames, Ref. No. 6 and No. 30, Fig. No. 2, so that they nest with the two lower support frames, Ref. No. 10 and No. 21. Then fasten together with screw, Ref. No. 9, and stamped square nut, Ref. No. 8.
3. Note: The casters are mounted upside down; remove the nut, Ref. No. 11, lock washer, Ref. No. 12, and clamp, Ref. No. 4, Fig. No. 2. Then pull bolt, Ref. No. 7, pivot block, Ref. No. 13, and caster assembly from the tube as a unit and turn it over and place back on tube so that rollers are down as shown in exploded view, Fig. 2. Replace clamp and hardware in same order that they were removed.
4. Remove the nut, Ref. No. 29, lock washer, Ref. No. 28, flat washer, Ref. No. 27, and bolt, Ref. No. 26 at point "A", Fig. 2. Place basket assembly in position as shown on front cover so that hole in bracket, Ref. No. 13, Fig. 3, matches hole in upper support frame at point "A", Fig. 2. Be sure basket stops, Ref. No. 19, Fig. 3 on front edge of basket are under

basket stop hooks, Ref. No. 19, Fig. 2. Replace hardware in same order as it was removed.

NOTE: See Fig. 4 for more information on assembling basket.

5. STEP A: Tip basket upside down until it lays flat as shown. Place hook ends of basket support rod, Ref. No. 7, Fig. 3, into holes in upper basket frame, letting the rod lay flat along basket bottom.  
STEP B: Tip basket back half way and pull canvas and bottom back until canvas is tight and bottom is vertical to the floor.  
STEP C: Force the bottom of basket support rod to one side until you can get rod to fit between canvas and turned up edge of basket bottom.  
STEP D: Push the rod into position so that it is square with back of basket. Let basket drop back into sweeping position as shown on front cover.
6. Attach hitch, Ref. No. 23, Fig. 2, to sweeper unit by removing the cotter pins, Ref. No. 16, Fig. 1, from the axle studs. Place hitch over ends of axle studs as shown in Fig. 2, and replace cotter pins.



## OPERATING INSTRUCTIONS

**Brush Height Adjustment.** Loosen large wing nut, Ref. No. 9, Fig. 1. To raise brushes to extreme height, pull sweeping unit forward as far as slots in brush adjustment brackets, Ref. No. 1, Fig. 2, will permit. To lower brushes to lowest position, push sweeping unit backwards as far as slots will permit. Secure wing nut when desired brush adjustment is obtained.

1. For grass clippings or leaves, adjust hood extension, Ref. No. 5, Fig. 1 and brushes to highest positions. After trial run on lawn, should the settings be too high, lower slightly and try again until correct setting is found. Brush life may be prolonged by adjusting so contact with ground is light. The lighter the contact, the longer the wear and easier to pull.

2. For patio, sidewalk, and driveway sweeping, adjust hood extension to bottom position. The extension is in correct position when it does not drag or throw sweepings ahead of sweeper. Also adjust brushes so they just contact cement.

NOTE: IF SWEEPER PULLS HARD, THE BRUSHES OR HOOD EXTENSION IS SET TOO LOW.

**Operation.** The load is dumped from basket by pulling basket forward with rope, causing basket to pivot into

a semi-inverted position. When load is discharged allow rope and basket to return to its normal position.

**Maintenance.** Lubricate the sweeper every time the machine is used or twice a day when machine is used all day. The wheels and casters should be lubricated at the same time. A drop or two of oil should also be applied occasionally to the basket pivot point. It is not necessary to oil nylon brush bearings.

**Care and Replacement of Brushes.** The brushes used on this sweeper are made of the finest bristles that will give years of service if given proper care. Should they become bent from constant use, dampening and straightening will reset the bristles upright. It is also possible to straighten bristles by reversing the brushes on reel shaft.

To reverse or replace brushes:

1. Turn the sweeper upside down on the ground.
2. Remove the bolts which hold the brush sections to the reel shaft. Reverse and replace the brushes and retighten the bolts.

**Basket Care.** The lumite basket is impervious to moisture. However, to insure longer basket life empty after each use.

### ALWAYS GIVE THE FOLLOWING INFORMATION WHEN ORDERING REPAIR PARTS

If you are unable to obtain parts locally, write to the factory for name of nearest service dealer.

1. Part Number and Quantity.
2. Model Number (found on Hood or Side Plate).
3. Serial Number (found on Guarantee Card).

Your unit is right hand (R.H.) or left hand (L.H.) as you stand behind it.  
\*Standard hardware items may be purchased locally.

# SWEEPER UNIT ASSEMBLY

## Figure 1

Ref. No.	Part No.	Description of Part	No. Req.	Ref. No.	Part No.	Description of Part	No. Req.
1	<del>62-138-D</del>	Hood	1	14	<del>47-438-C</del>	Tire <i>63-224-B</i>	2
2	*351-416-18	Wing Nut 1/4-20	2	15	946-816-16	Fiber Washer	2
3	*945-516	Washer - Plain 5/16	3	16	*380-332-12	Cotter Pin 3/32 x 3/4	2
4	60-22-B	Hood Clamp	2	17	<del>52-140-B</del>	Reel Shaft	1
5	62-162-C	Hood Extension Assembly	1	18	55-161-A	Washer - Special	2
6	<del>*70-416-12</del>	Carriage Bolt 1/4-20 x 3/4	2	19	<del>52-141-B</del>	Brush Assembly <i>BK-12</i> Set of <i>2-1</i>	2
7	<del>564-C-516-10</del>	Set Screw Sq. Hd. 5/16-18 x 5/8	4	20	*515-416-24	Screw - Round Head 1/4-20 x 1 1/2	2
# 8	<del>60-18-LD</del>	Side Plate - Left Hand	1	21	355-416-1	Stamped Square Nut 1/4-20	2
9	351-516-40	Wing Nut 5/16-18 x 2 1/2	1	22	<del>62-136-A</del>	Bottom Tie Rod	1
10	946-1216-24	Fiber Washer	2	#23	<del>62-43-RD</del>	Side Plate - Right Hand	1
11	<del>45-25-A</del> *	Pawl	2	24	<del>62-135-A</del>	Adjusting Tube	1
A-1583-B 12	<del>45-18-RA</del> *	Pinion - Right Hand (not shown)	1	25	<del>62-141-A</del>	Bolt - Adjusting	1
13	<del>45-19-LA</del> *	Pinion - Left Hand (shown)	1	26	<del>59-28-A</del>	Nylon Bearing	2
	13 49-377-C	Wheel	2	27	<del>63-212-B</del>	Rod - Hood Control	2

# TO REPLACE, USE THE FOLLOWING PARTS :

1-71-04-RD SIDE PLATE R.H.

1-71-05-LD SIDE PLATE L.H.

2-68-60-A BEARING

SA-1583-B PINION KIT

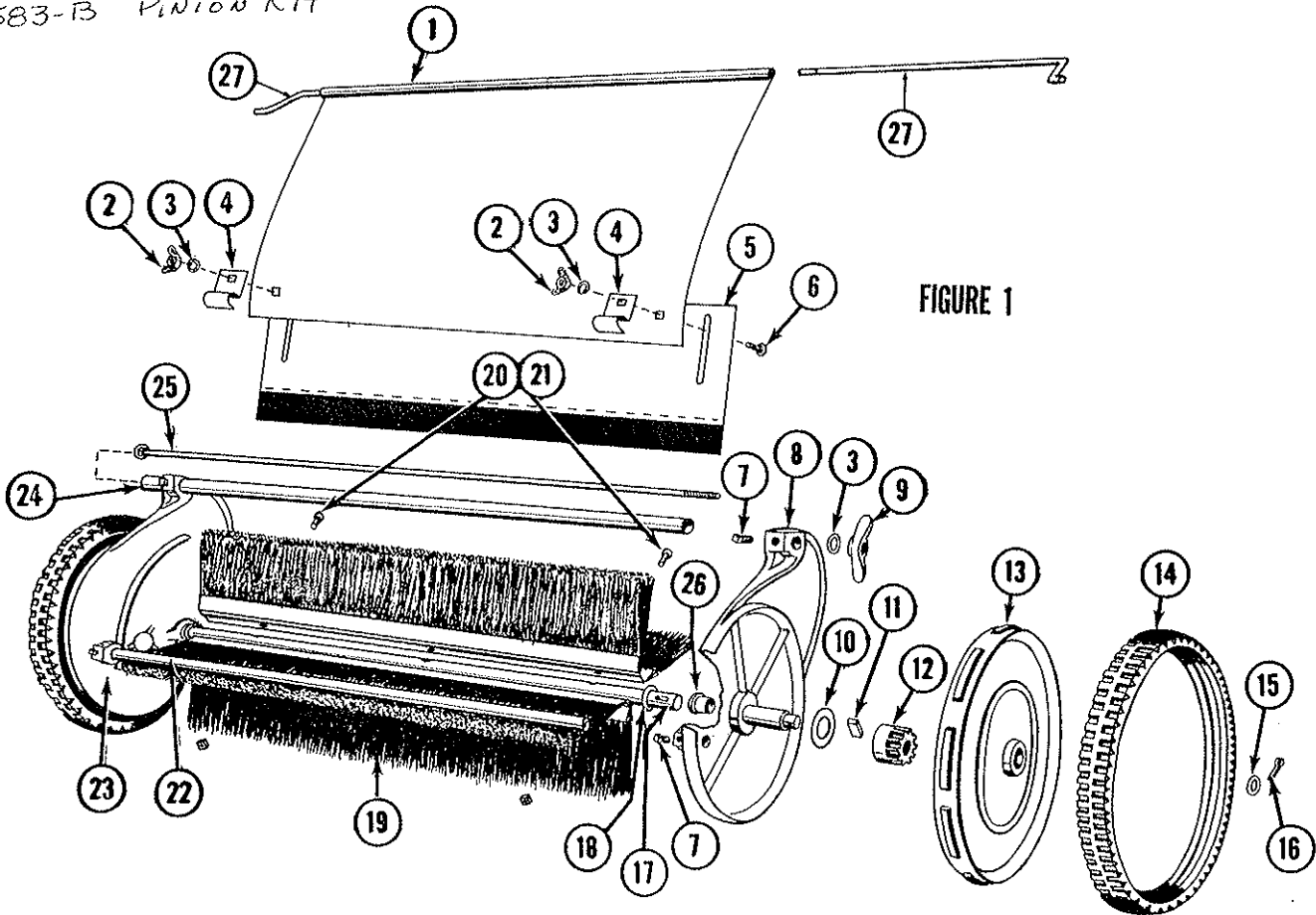
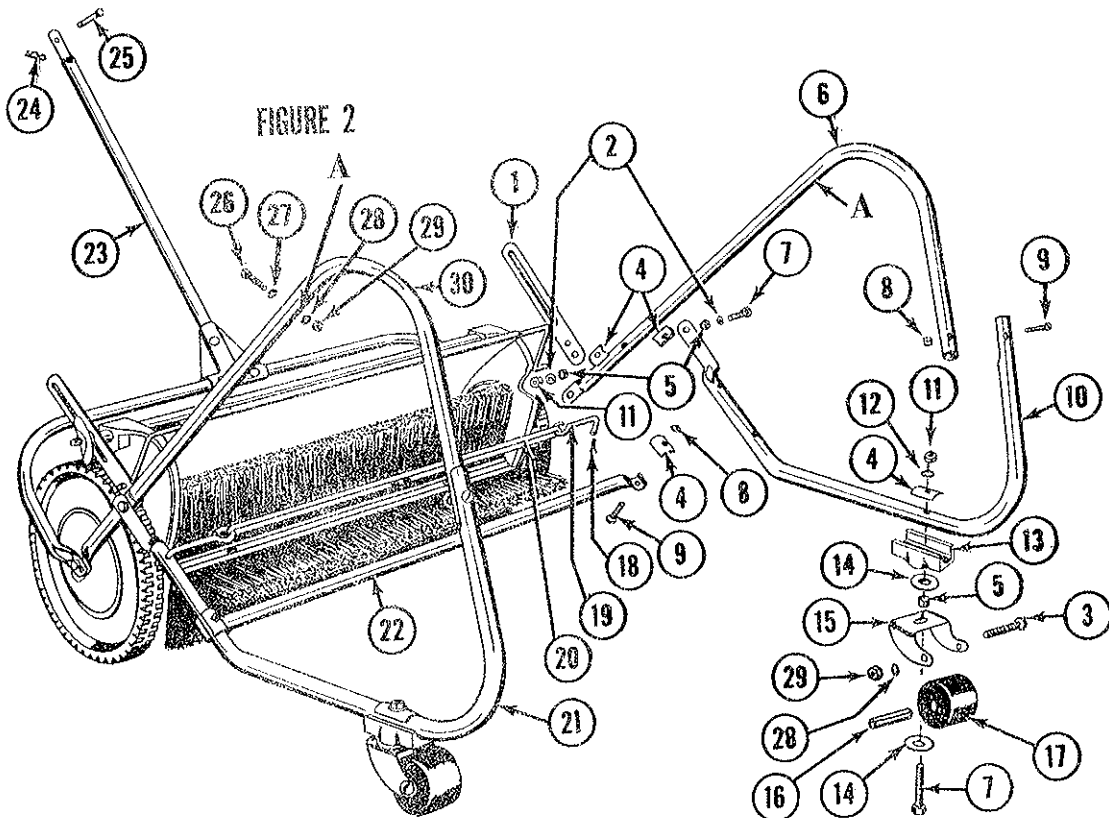


FIGURE 1

# HITCH AND BASKET SUPPORT FRAME ASSEMBLY

Figure 2

Ref. No.	Part No.	Description of Part	No. Req.	Ref. No.	Part No.	Description of Part	No. Req.
1	60-21-A	Brush Adjusting Bracket	2	16	<del>45-71-A</del>	Bushing	2
2	*945-516	Washer — Plain $\frac{5}{16}$	4	17	<del>62-52-A</del>	Roller	2
3	*515-416-44	Screw — Round Head $\frac{1}{4}$ -20 x $2\frac{1}{2}$	2	18	*380-332-12	Cotter Pin $\frac{3}{8}$ x $\frac{3}{4}$	2
4	59-77-A	Clamp	8	19	<del>62-129-A</del>	Hook — Basket Stop	2
5	54-227-A	Spacer	6	20	<del>62-165-A</del>	Elastic Cord Assembly <del>69-121-A</del>	1
6	<del>62-149-RD</del>	Frame — Upper Support — Right Hand	1	21	<del>62-146-LD</del>	Frame — Lower Support — Left Hand	1
7	*65-516-28	Bolt — Hex Hd. $\frac{5}{16}$ -18 x $1\frac{1}{4}$	4	22	<del>62-147-B</del>	Brace — Support Frame	1
8	355-416-1	Stamped Square Nut $\frac{1}{4}$ -20	4	23	<del>62-166-E</del>	Hitch Assembly	1
9	<del>*515-416-20</del>	Screw — Round Hd. $\frac{1}{4}$ -20 x $1\frac{1}{4}$	4	24	57-110-A	Cotter Pin (Hair)	1
10	<del>62-145-RD</del>	Frame — Lower Support — Right Hand	1	25	<del>53-95-A</del>	Clevis Pin	1
11	*335-516	Hex Nut $\frac{5}{16}$ -18	4	26	*65-416-20	Bolt — Hex Hd. $\frac{1}{4}$ -20 x $1\frac{1}{4}$	2
12	*936-516	Lock Washer $\frac{5}{16}$	2	27	*945-416	Washer — Plain $\frac{1}{4}$	2
13	<del>59-68-B</del>	Pivot Block <del>79-174-A</del>	2	28	*936-416	Lock Washer $\frac{1}{4}$	4
14	<del>55-156-A</del>	Washer — Special <del>82-138-B</del>	4	29	*335-416	Hex Nut $\frac{1}{4}$ -20	4
15	<del>60-29-B</del>	Caster Fork	2	30	<del>62-148-LD</del>	Frame — Upper Support — Left Hand	1



# BASKET ASSEMBLY

## Figure 3

Ref. No.	Part No.	Description of Part	No. Req.	Ref. No.	Part No.	Description of Part	No. Req.
1	<del>62-142-E</del>	Frame — Upper Basket	1	14	62-132-A	Spacer	2
2	*70-516-20	Carriage Bolt $\frac{3}{16}$ -18 x $1\frac{1}{4}$	1	15	<del>53-00-A</del>	Spacer	2
3	*936-516	Lock Washer $\frac{3}{16}$	1	16	<del>62-128-A</del>	Bracket — Pivot Basket Swivel	2 <i>81-027</i>
4	*335-516	Hex Nut $\frac{3}{16}$ -18	3	17	<del>62-156-E-1</del>	Basket Assembly	1
5	<del>59-60-A</del>	Bracket	1	18	<del>62-143-B</del>	Frame — Lower Basket	1
6	60-09-A	Rope Assembly	1	19	<del>62-130-B</del>	Stop — Basket	2
7	<del>62-144-B</del>	Rod — Basket Support	1	20	355-416-1	Stamped Square Nut $\frac{1}{4}$ -20	4
8	*65-416-20	Bolt — Hex Hd. $\frac{1}{4}$ -20 x $1\frac{1}{4}$	2	21	<del>59-72-C</del>	Clamp — Basket Bottom	1
9	*945-416	Washer — Plain $\frac{1}{4}$	2	22	*515-416-6	Screw — Round Hd. $\frac{1}{4}$ -20 x $\frac{3}{8}$	4
10	*936-416	Lock Washer $\frac{1}{4}$	2	23	*346-416	Speed Nut $\frac{1}{4}$	4
11	*335-416	Hex Nut $\frac{1}{4}$ -20	2	24	<del>*515-416-20</del>	Screw — Round Hd. $\frac{1}{4}$ -20 x $1\frac{1}{4}$	4
12	*65-516-20	Bolt — Hex Hd. $\frac{3}{16}$ -18 x $1\frac{1}{4}$	2	25	*945-516	Washer — Plain $\frac{3}{16}$	2
13	<del>57-182-A</del>	Bracket — Pivot Frame Swivel	2				

