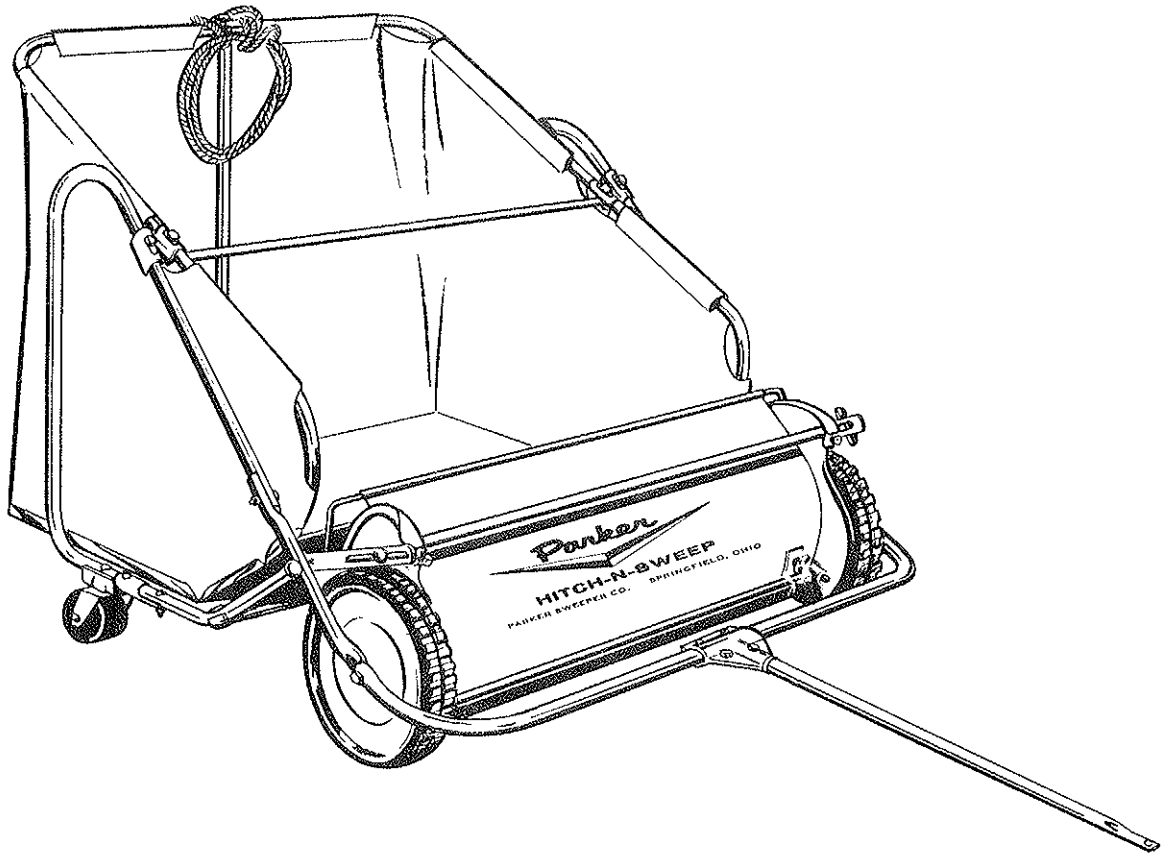


# OWNERS GUIDE



## HS-7630 HITCH-N-SWEEP



12-26-75 -Plate No. 278-

*updated  
10/94*

**PARKER SWEEPER COMPANY    Box 1728    Springfield, Ohio 45501**

# CARTON CONTENTS

When unpacking the Sweeper you will find the following items and assemblies.

## Unit 1 SWEEPER UNIT ASSEMBLY

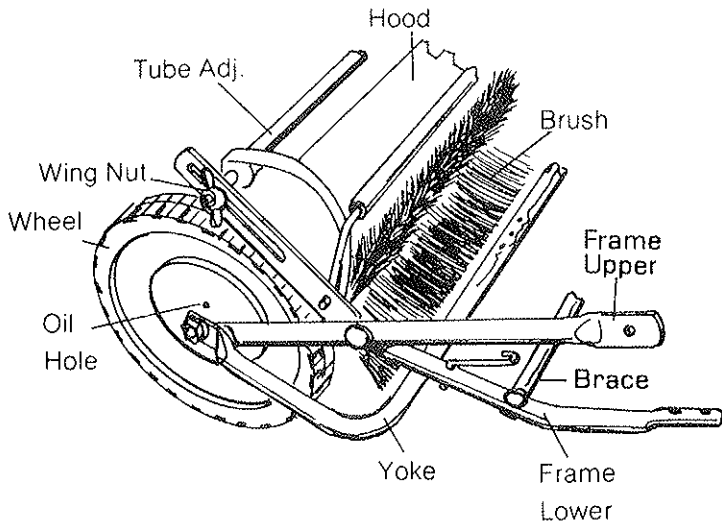


Figure 1

## Unit 5 PLASTIC HARDWARE BAG containing the following hardware.

5	65-416-10	Bolt Hex Hd. $\frac{1}{4}$ -20 x $\frac{5}{8}$
8	365-416	Hex Lock Nut $\frac{1}{4}$ -20
9	335-416	Nut-Plain $\frac{1}{4}$ -20
6	364-416	Nut Lock Thin $\frac{1}{4}$ -20
1	69-168-A	Eye Bolt
3	945-416	Washer-Flat $\frac{1}{4}$
9	936-416	Washer Int. Tooth Lock $\frac{1}{4}$
1	53-95-A	Pin Clevis
1	57-110-A	Pin-Cotter
1	65-416-20	Bolt-Hex Hd. $\frac{1}{4}$ -20 x $1\frac{1}{4}$
2	69-99-B	Clamp-Tongue

## Unit 2 ROPE-TONGUE-TUBE SUPPORT AND SPRING

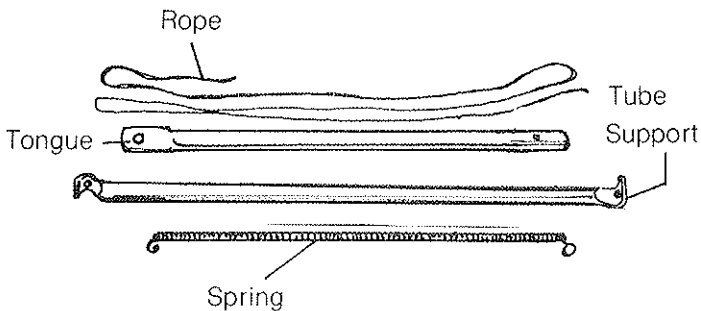


Figure 2

## ASSEMBLY INSTRUCTIONS

1. Fig. 1 - Set the Sweeper Head Assembly on the floor with the Yoke under the Brushes as shown. This will protect the Brushes from being flattened on the floor during assembly.

### SUPPORT FRAME ASSEMBLY

2. Fig. 4 & 5 - Fasten the Support Frame Assemblies to the Frame-Lower and Frame-Upper with the Cont. Hd. Bolts, Int. Tooth Washers and Nuts as shown (both sides).

Check the Bracket-Adj. to be sure it is free to move for brush adjustment. Also, check the Casters for free movement. Tighten all nuts.

3. Fig. 5 & 6 - Attach the Spring to the Hooks on the Support Frame Assembly. Now position the Yoke in front of the Wheels. Lay the Sweeper Unit on its side to do this, then return the Unit to its floor position.

## Unit 3 SUPPORT FRAME

(2) Assemblies

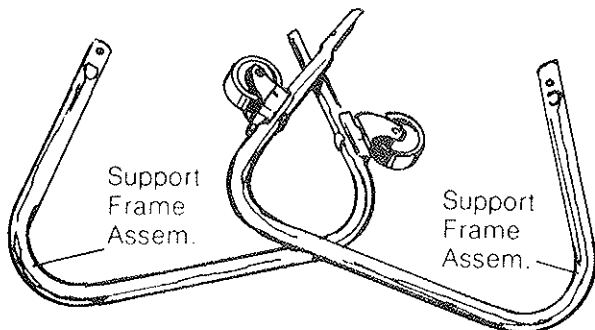


Figure 3

## Unit 4 BASKET ASSEMBLY (Not Illustrated)

# ASSEMBLY INSTRUCTIONS

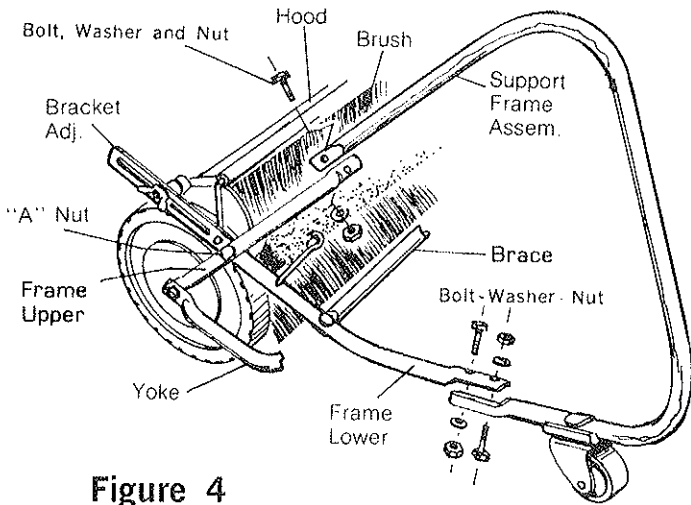


Figure 4

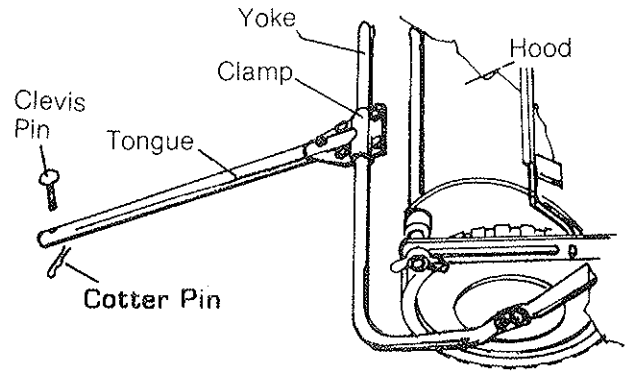


Figure 6

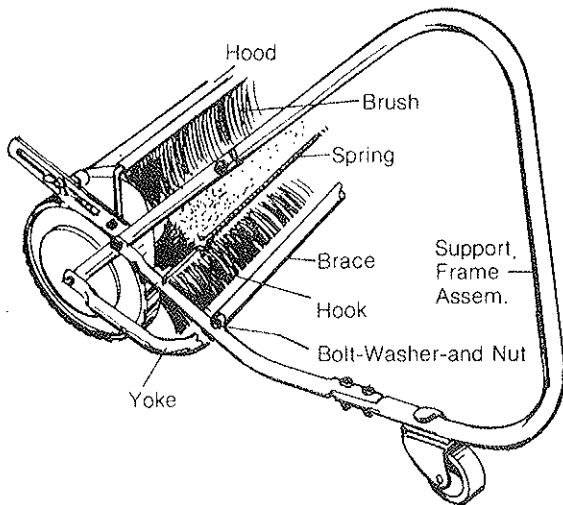


Figure 5

## BASKET ASSEMBLY & TUBE SUPPORT

- Fig. 7 & 13 - Fasten the Tube to the bottom of the Basket with a  $\frac{1}{4}$ -20 x  $\frac{5}{8}$  Hex Hd. Bolt, Flat Washer, Lock Washer and Nut. Now pull the Basket Frame up until it fits in the curve at the top of the Tube, then insert the Eye Bolt thru the Tube and the Basket Frame and fasten with the Lock Nut. Now tie the rope in the Eye Bolt.

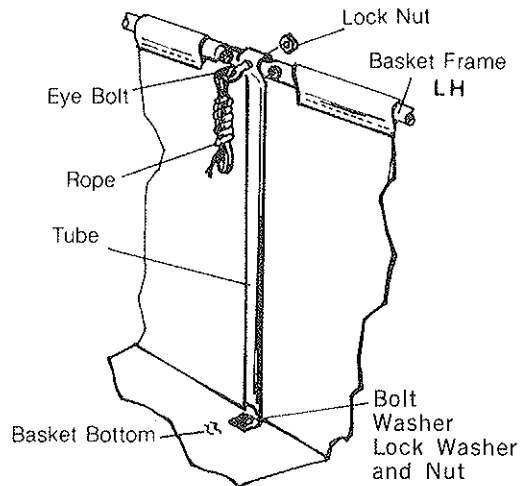


Figure 7

## TONGUE ASSEMBLY

- Fig. 6 - Place the 2 Clamps around the Yoke and fasten together loosely with (4)  $\frac{1}{4}$ -20 x  $\frac{5}{8}$  Hex Bolts and (4) Hex Lock Nuts. Now insert the Tongue between the (2) Clamps and use the  $\frac{1}{4}$ -20 x  $1\frac{1}{2}$  Bolt and Lock Nut to fasten to the (2) Clamps. Be sure the dimple in the Clamp is over the dimple in the Yoke, then tighten all Lock Nuts. Place the Clevis Pin thru the Tongue then insert the Cotter Pin in the Clevis Pin.

# ASSEMBLY INSTRUCTIONS

## BASKET ASSEMBLY TO SUPPORT FRAMES

6. Fig. 8 & 13 - Position the Basket Assembly between the Support Frames. Use (2) Contour Hd. Bolts  $1/4$ -20 x  $1\frac{1}{2}$ , Washers, Internal Tooth Lock and Hex Plain Nuts. Put the Bolt down thru the Support Frame Tube and center the Bracket which is on the top of the Support Frame Tube, then tighten in place with the Bolt, Washer and Nut (both sides).

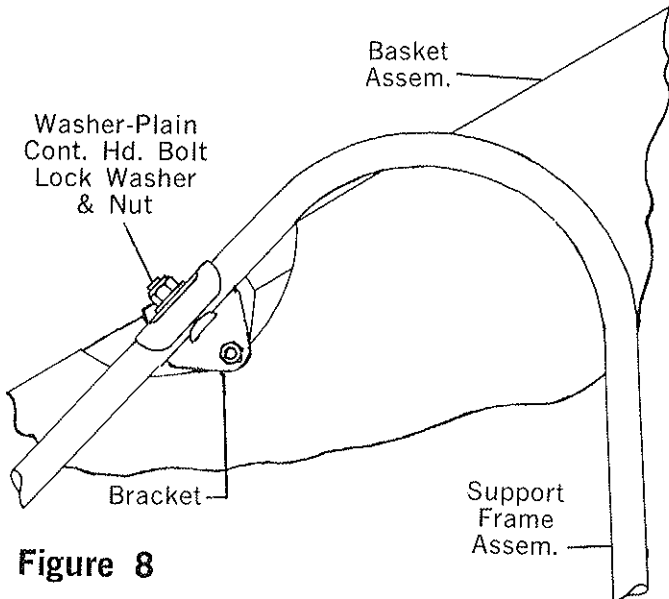


Figure 8

Next, check Basket Stop, Item 19, Fig. 13, to see if both sides make contact with the Stop Spring Hook, Item 24, Fig. 12. If relationship is not as shown in Fig. 8A - move Basket Assembly up or down by sliding Bracket on Support Frame until both sides are in alignment, then tighten Nuts.

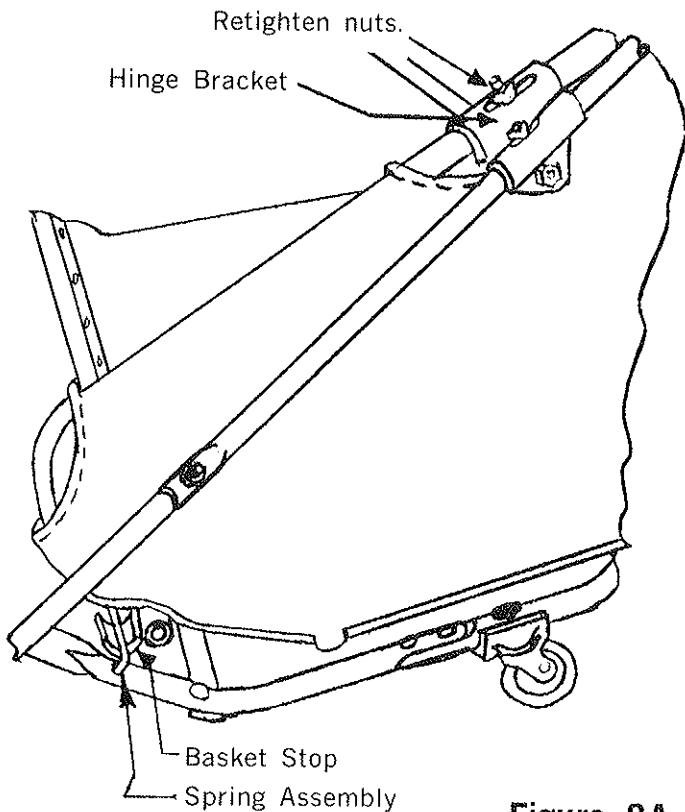


Figure 8A

## BASKET CARE

The Basket should always be emptied immediately after each time the Sweeper is used, especially if the grass or leaves are wet or damp. Allowing the Basket to keep dry will lengthen its service life.

**Operation.** The load is dumped from Basket by pulling Basket forward with rope, causing Basket to pivot into a semi-inverted position. When load is discharged, allow Rope and Basket to return to its normal position.

## OPERATING INSTRUCTIONS

### BRUSH HEIGHT ADJUSTMENT

Fig. 1 - Loosen large Wing Nut, Fig. 1. To raise brushes to extreme height, pull sweeping unit forward as far as slots in brush adjustment brackets, Ref. No. 11, Fig. 12, will permit. To lower brushes to lowest position, push sweeping unit backwards as far as slots will permit. Secure Wing Nut when desired brush adjustment is obtained.

1. For grass clippings or leaves, adjust hood extension, Ref. No. 5, Fig. 11, and Brushes to highest positions. After trial run on lawn, should the settings be too high, lower slightly and try again until correct setting is found. Brush life may be prolonged by adjusting so contact with ground is light. The lighter the contact, the longer the wear and easier to pull.

**NOTE** - If the Brushes do not rotate and the Wheels slide when the Sweeper is being pulled, the Brushes are set too low.

If the Brushes and the Wheels rotate when the Sweeper is being pulled, but pulls hard, the Hood Extension is set too low.

### CARE AND BRUSH REPLACEMENT

Should the bristles take a set from use, reverse the Brushes on the Reel Shaft. Never allow the brush bristles to remain in a bent position on any object for any length of time as they can take a set.

### TO REMOVE BRUSHES

Turn the Sweeper upside down on the ground. Notice the Stud has either 2 swage bumps or a collar against the Brush Bracket holding it against the Reel Shaft.

Fig. 9 - Remove the Hex Nuts, Washers and Clamps from the Stud on the end having the 2 swage or collar. Remove the Brushes from the Brush Bracket slots, (4 places). Now remove the Hex Nuts, Washers and Clamps from the opposite end of the Studs. Do not remove the Speed Nuts or the Studs will fall away from the Reel Shaft (4 places).

# OPERATING INSTRUCTIONS

## TO REPLACE BRUSHES

Fig. 9 - Turn the Reel Shaft so you can position the Brush Strips in the slots on the Brush Bracket that are being held on the Stud and Shaft by the Speed Nut. Position the Clamps, Washers and Hex Nuts, center the Brush Strips between the Side Plates, then tighten the Hex Nuts.

Turn the Reel Shaft so the Brushes are on the bottom side. Now place the Brush Strips in the slots on the Brush Brackets, on the top side. Position the Clamps, Washers and Hex Nuts. Center the Brush Strips between the Side Plates, then tighten the Hex Nuts.

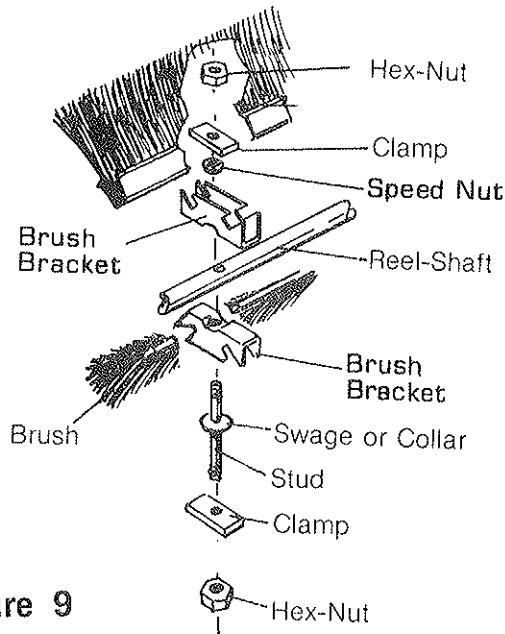


Figure 9

**CAUTION:** The brush fiber and basket material will burn if in contact with open flame. Avoid dumping basket over fire.

## LUBRICATION

Frequent lubrication of the Sweeper will lengthen the service life.

Fig. 1 & 10 - Place a few drops of oil in the oil hole located on the hub of each Wheel and between the Washer and Bearing Flange on the Reel Shaft inside the Side Plate (both sides plates) and between the caster and Aluminum Bracket (on side frames). Also, the pivot point of the Basket on the Cross Rod. This should be done each time before the Sweeper is used.

Before using the Sweeper the first time each season, remove both Wheels and put a good grade of grease on the Pinion Gear and the gear of the Wheel.

## HOOD CARE

Wet grass clippings have a tendency to dry and adhere to the inner face of the Hood; it is important to keep this face clean for good sweeping action.

## BASKET CARE

The Basket should always be emptied immediately after each time the Sweeper is used, especially if the grass or leaves are wet or damp. Allowing the Basket to keep dry will lengthen its service life.

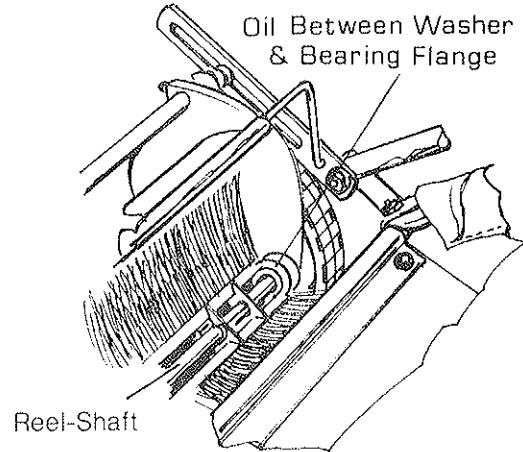
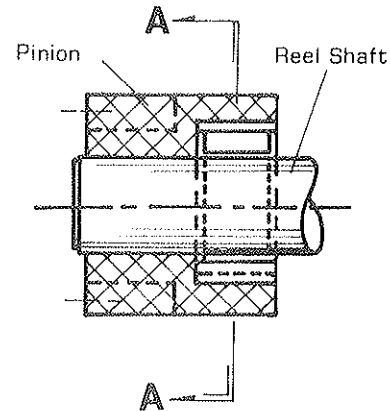
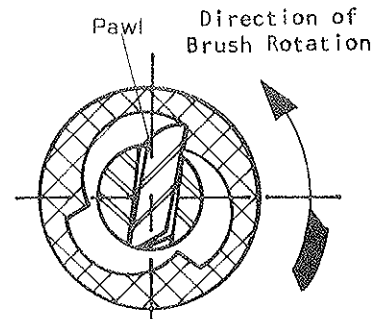


Figure 10

Fig. 10A - Be sure the Pawls and Pinion Gears are in place correctly before putting the Wheels back on. Both the Left and Right Pawl must be turning the same direction. When the Pawls are installed correctly, the top of the Reel Shaft will rotate toward the operator when the Sweeper is pushed forward.



Left Hand Pinion Shown From Operators Position



SEC A-A

Direction of Sweeper Travel



Figure 10A

parts marked out obsolete

## SWEEPER UNIT ASSEMBLY

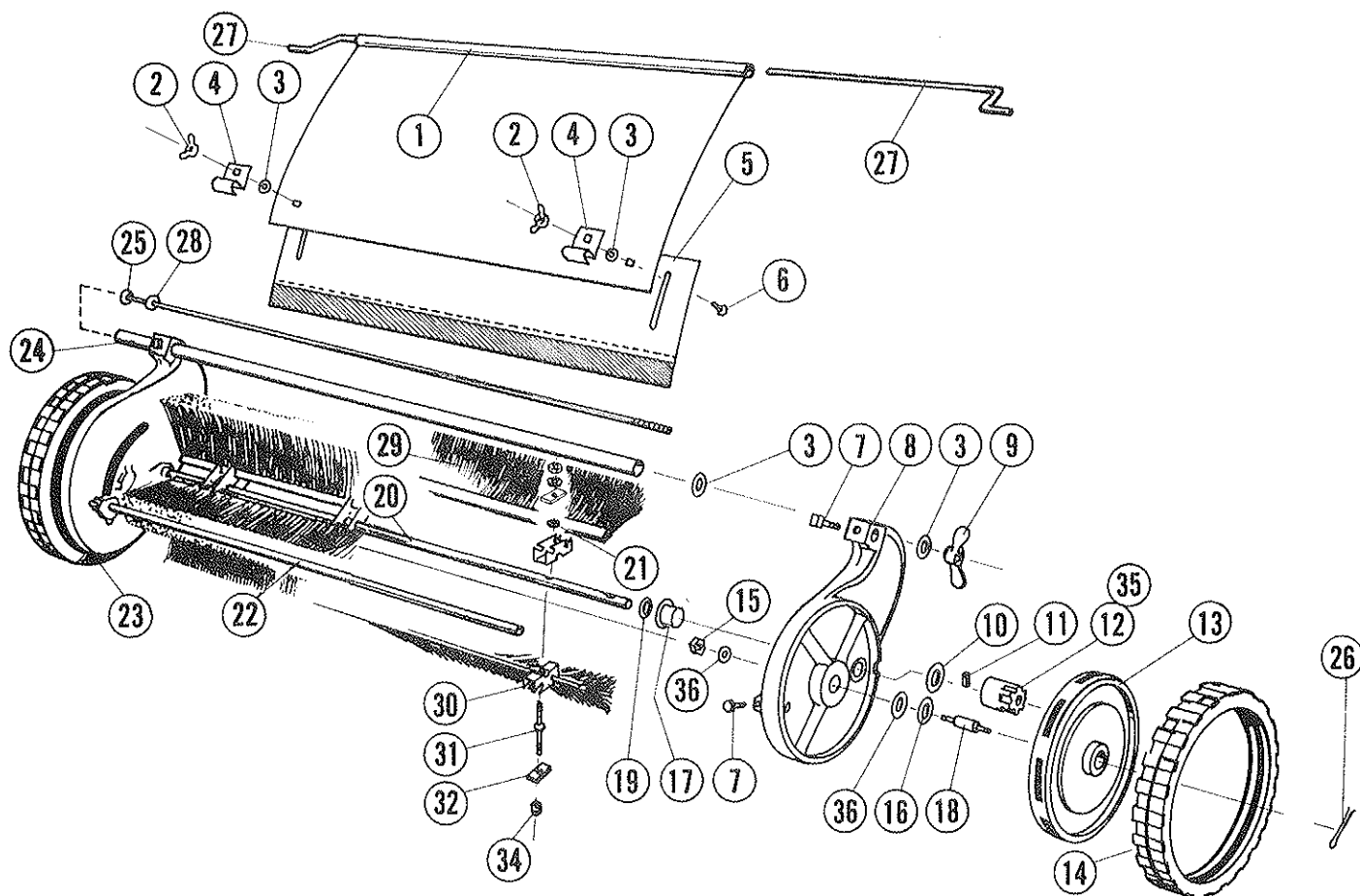


Figure 11

### PARTS LIST

Ref. No.	Part No.	Qty. Per Unit	Description of Part	Ref. No.	Part No.	Qty. Per Unit	Description of Part
1	<del>75-160-C</del>	1	Hood Assembly	19	55-161-A	2	Washer-Special
2	351-416-18	2	Nut-Wing $\frac{1}{4}$ -20 x $1\frac{1}{8}$ Span	20	75-201-B	1	Reel Shaft
3	945-516	2	Washer-Flat $\frac{5}{16}$	21	75-89-A	4	Speed Nut
4	60-22-B	2	Clamp-Hood	22	62-04-A	1	Tie Rod Bottom
5	<del>68-10-C</del>	1	Hood Extension	23	71-04-RD	1	Side Plate Die Cast
6	<del>70-416-12</del>	2	Bolt-Carriage $\frac{1}{4}$ -20 x $\frac{3}{4}$	24	<del>68-05-A</del>	1	Tube Adjusting
7	560-C-516-10	4	Screw-Sq. Hd. Set $\frac{5}{16}$ -18 x $\frac{5}{8}$	25	69-75-A	1	Bolt-Special
8	71-05-LD	1	Side Plate Die Cast.	26	<del>380-432-16</del>	2	Cotter Pins $\frac{1}{8}$ diam. x 1
9	73-71-A	1	Nut-Wing	27	68-14-A	2	Rod-Hood Control
10	50-33-A	2	Washer-Special	28	945-616	1	Washer-Flat $\frac{3}{8}$ I.D.
11	<del>45-25-A</del> *	2	Pawl	29	1200-14.5	8	Brush Strip Assembly
12	<del>45-19-LA</del> *	1	Pinion LH * PINION KIT SA-1583-B	30	74-13-C	8	Brush Bracket
13	49-377-C	2	Wheel	31	74-16-A	4	Stud
14	63-224-B	2	Tire	32	69-04-A	8	Clamps-Brush Strip
15	345-816	2	Nut-Jam $\frac{1}{2}$ -20	34	335-416	8	Nut-Hex Plain $\frac{1}{4}$ -20
16	946-1216-24	2	Washer-Fiber	35	<del>45-18-RA</del> *	1	Pinion RH (Not Shown)
17	68-60-A	2	Bearing (Kendal BK-1377-628)	36	71-37-A	4	Washer-Special
18	<del>71-36-A</del>	2	Axle				

# FRAME ASSEMBLY

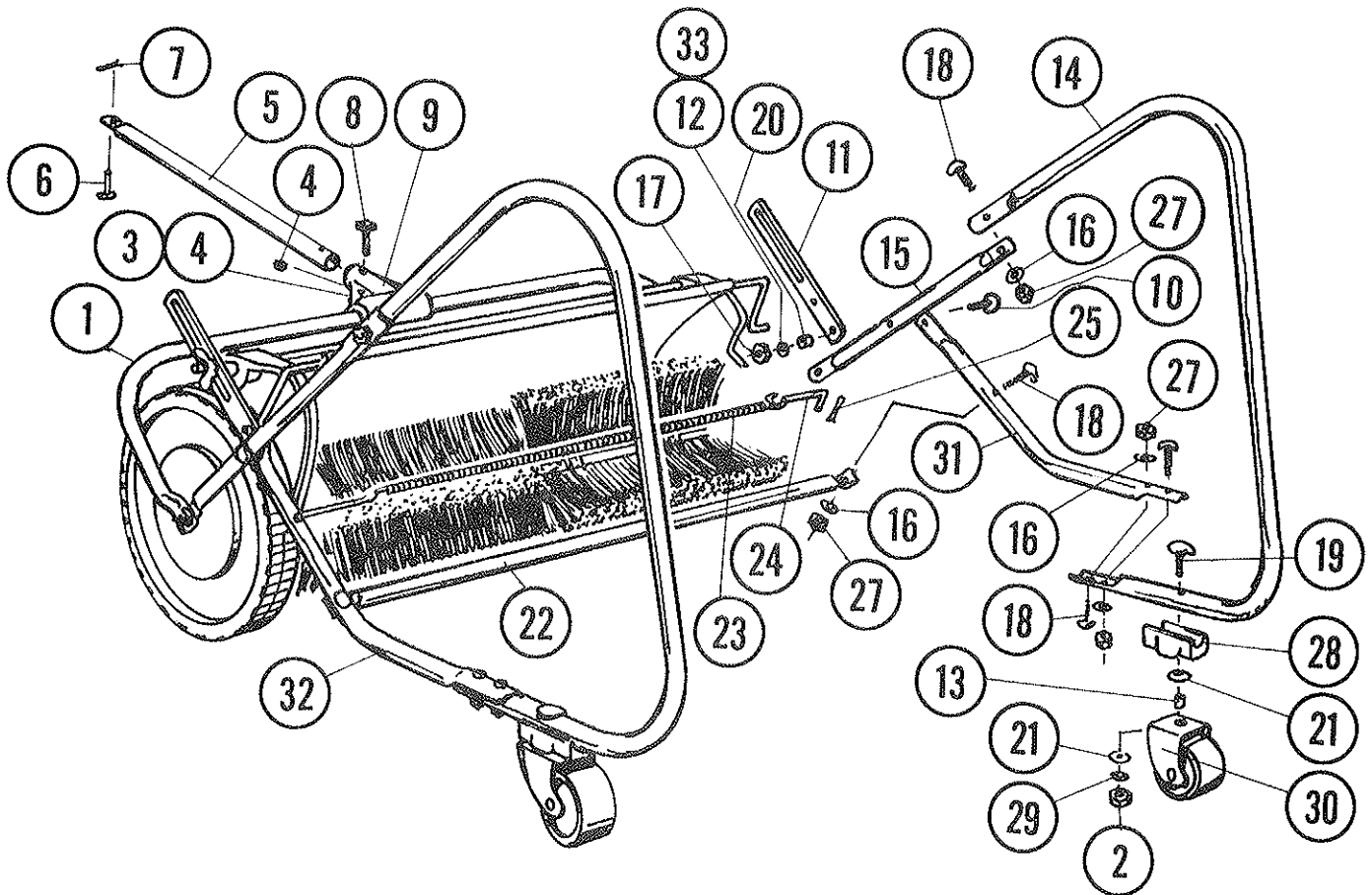


Figure 12

## PARTS LIST

-Plate No. 284-

Ref. No.	Part No.	Qty. Per Unit	Description of Part	Ref. No.	Part No.	Qty. Per Unit	Description of Part
1	<del>69-77-D</del>	1	Yoke-Tongue	18	69-416-20	10	Bolt-Cont. Hd. $\frac{1}{4}$ -20 x $1\frac{1}{4}$
2	335-516	2	Nut-Hex Plain $\frac{5}{16}$ -18	19	69-516-28	2	Bolt-Cont. Hd. $\frac{5}{16}$ -18 x $1\frac{3}{4}$
3	65-416-8	4	Bolt-Hex Hd. $\frac{1}{4}$ -20 x $\frac{1}{2}$	20	54-227-A	2	Spacer
4	364-416	9	Nut-Hex Lock $\frac{1}{4}$ -20	21	<del>55-156-A</del>	4	Washer-Special <del>83-132-B-2</del>
5	<del>62-133-B</del>	1	Tongue	22	<del>69-85-B</del>	1	Brace-Support Frame
6	<del>53-95-A</del>	1	Pin-Clevis $\frac{3}{8}$ dia. x $1\frac{5}{8}$	23	69-121-A	1	Spring Extension
7	57-110-A	1	Cotter Pin Hol-HP-115	24	<del>62-129-A</del>	2	Hook-Basket Stop
8	65-416-20	1	Bolt-Hex Hd. $\frac{1}{4}$ -20 x $1\frac{1}{4}$	25	380-332-12	2	Pin Cotter $\frac{3}{32}$ dia. x $\frac{3}{4}$
9	69-99-B	2	Clamp Tongue	26			
10	69-516-24	2	Cont. Hd. $\frac{5}{16}$ -18 x $1\frac{1}{2}$	27	335-416	10	Nut-Hex Plain $\frac{1}{4}$ -20
11	60-21-A	2	Bracket Brush Adj.	28	<del>59-68-B</del>	2	Pivot Block <del>79-174-A</del>
12	945-516	4	Washers- $\frac{5}{16}$	29	935-516	2	Washer-Spring Lock $\frac{5}{16}$
13	74-126-A	2	Spacer	30	SA-243-B	2	Caster Assembly
14	75-165-C	2	Support Frame Rear	31	75-162-RC	1	Frame-Lower R.H.
15	75-164-B	2	Frame Lower Sup.	32	75-163-LC	1	Frame-Lower L.H.
16	936-416	10	Washer-Int. Tooth Lock $\frac{1}{4}$	33	936-516	3	Washer-Int. Tooth Lock
17	335-516	2	Nut-Hex $\frac{5}{16}$ -18				

# BASKET ASSEMBLY

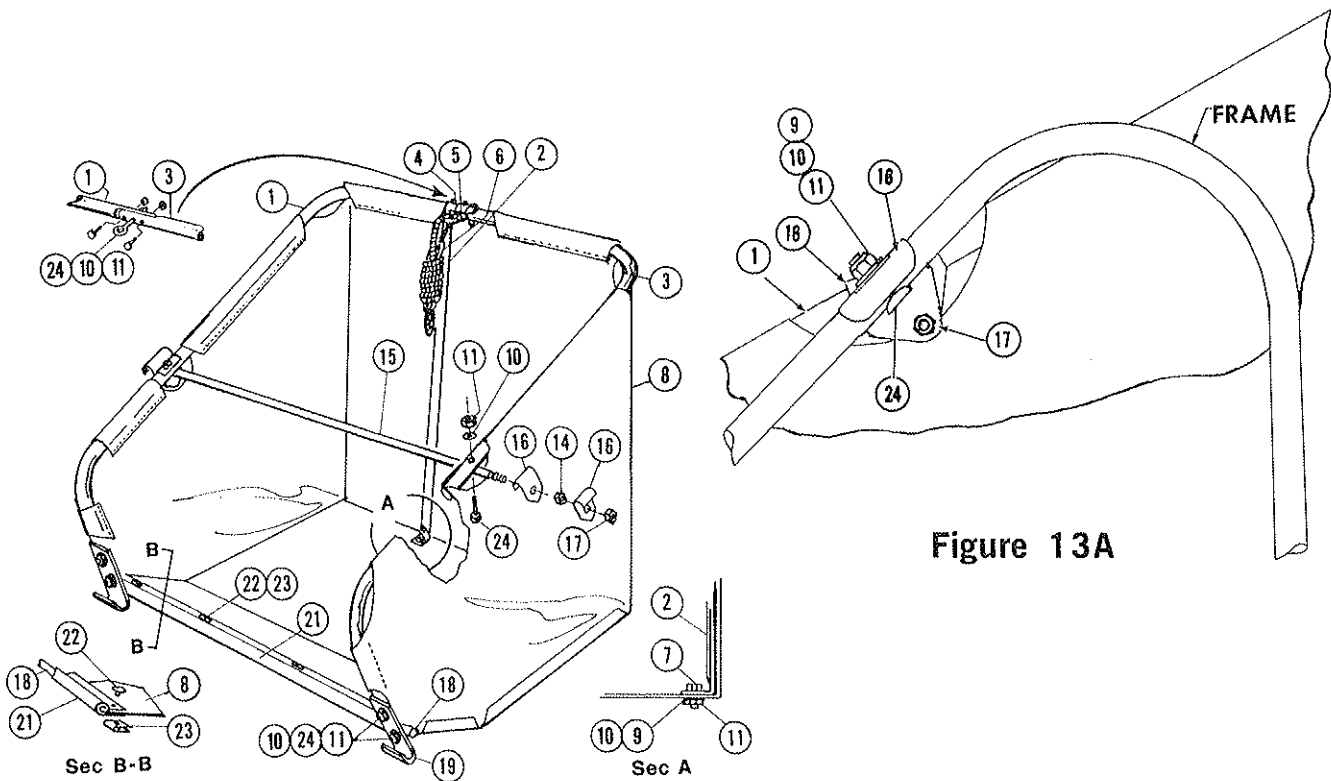


Figure 13

Figure 13A

## PARTS LIST

Ref. No.	Part No.	Qty. Per Unit	Description of Part	Ref. No.	Part No.	Qty. Per Unit	Description of Part
1	75-166-RC	1	Frame Upper Basket R.H.	14	326-816	2	Hex Thick Nut $\frac{1}{2}$ -20
2	<del>69-79-D</del>	1	Tube-Basket Support	15	70-25-A	1	Rod-Pivot $\frac{1}{2}$ C.R.S. x $35\frac{1}{4}$
3	75-167-LC	1	Frame-Basket Upper	16	<del>74-03-A</del>	4	Bracket-Pivot Basket Swivel <i>80-285-A</i>
4	364-416	1	Nut-Hex Lock Thin	17	345-816	2	Hex Jam Nut $\frac{1}{2}$ -20
5	<del>69-168-A</del>	1	Bolt Closed Eye $\frac{1}{4}$ -20	18	<del>69-83-B</del>	1	Frame-Lower Basket
6	60-09-A	1	Rope Assembly	19	69-78-A	2	Stop Basket
7	65-416-10	1	Hex Hd. Bolt $\frac{1}{4}$ -20 x $\frac{5}{8}$	21	<del>69-76-C</del>	1	Clamp-Basket Bottom
8	<del>SA-241-D</del>	1	Basket Assembly <i>SA-241-F</i>	22	515-416-6	5	Screw-Round Hd. $\frac{1}{4}$ -20 x $\frac{3}{8}$
9	945-416	3	Washer-Flat	23	346-416	5	Speed Nut $\frac{1}{4}$
10	936-416	9	Washer-Int. Tooth Lock $\frac{1}{4}$	24	69-416-20	8	Bolt-Contour $\frac{1}{4}$ -20 x $1\frac{1}{4}$
11	335-416	9	Hex Nut $\frac{1}{4}$ -20				

-Plate No. 285-

### ALWAYS GIVE THE FOLLOWING INFORMATION WHEN ORDERING REPAIR PARTS:

1. PART NUMBER (Not Ref. No.)
2. QUANTITY NEEDED
3. DESCRIPTION OF PART
4. MODEL No. HS-7630

If unable to obtain parts locally, write down above information and send to:  
**PARKER SWEEPER CO., BOX 1728, SPRINGFIELD, OHIO 45501**

Your unit is right hand (R.H.) or left hand (L.H.) as you stand behind it.

IMPORTANT