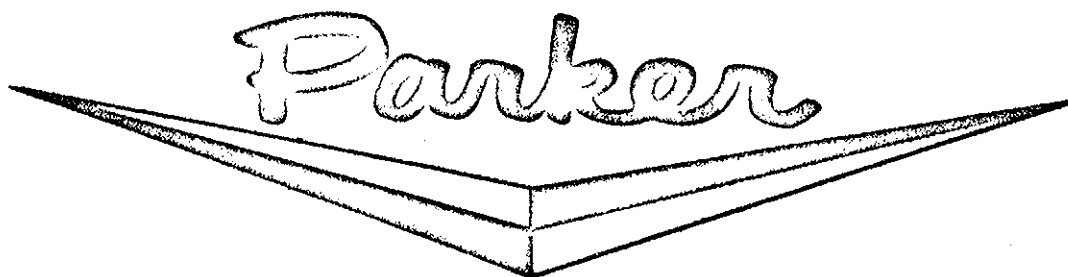
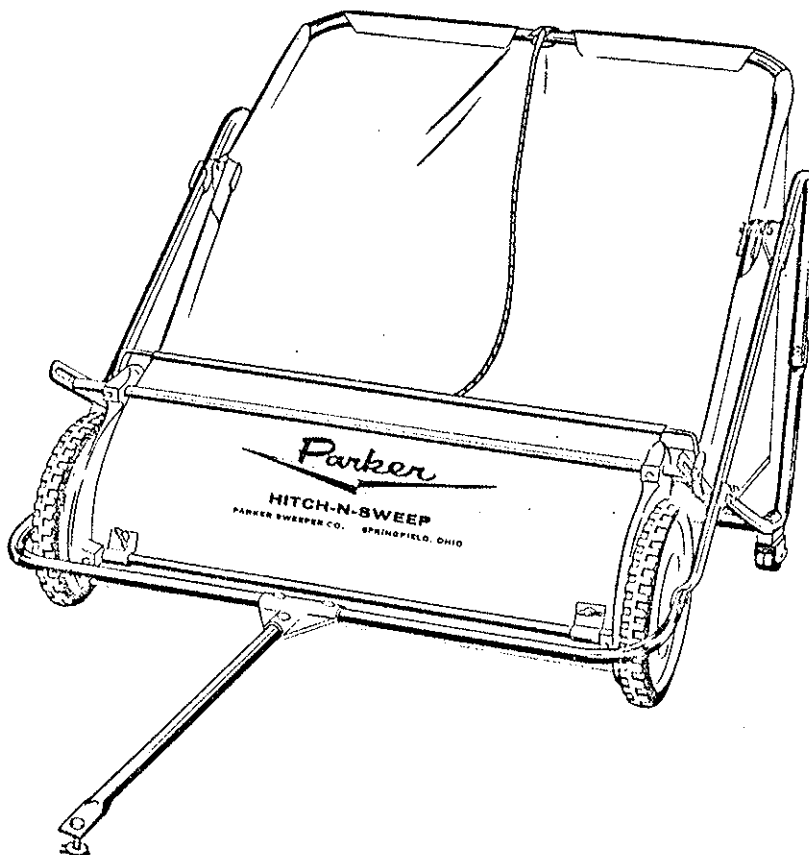


OPERATING INSTRUCTIONS AND PARTS LIST
FOR



HS-6225-A HITCH-N-SWEEP



NOTICE: These instructions were written to assist you in assembling your Lawn Sweeper quickly and correctly. Read instructions thoroughly before attempting assembly so that you are familiar with the complete procedure.

PARKER SWEEPER COMPANY

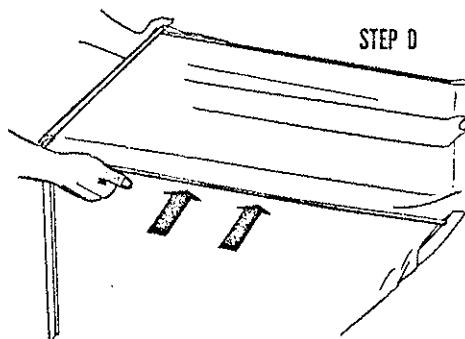
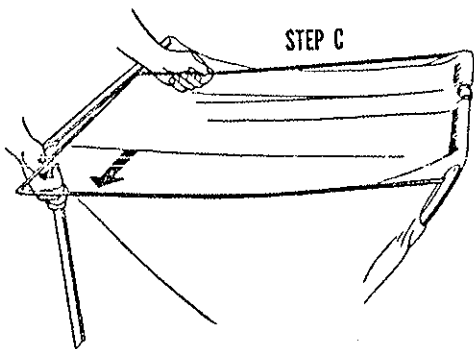
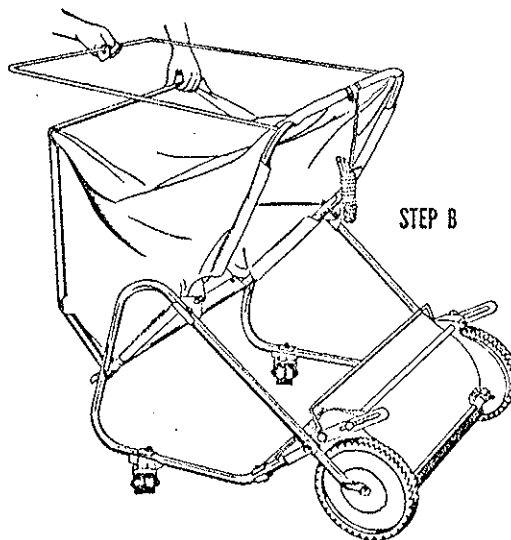
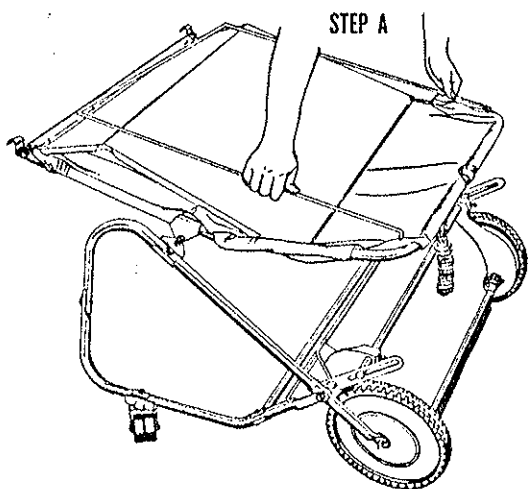
BOX ~~7~~ 1728

SPRINGFIELD, OHIO

ASSEMBLY INSTRUCTIONS

NOTE: Right hand and left hand position is determined by a person standing, facing direction of travel.

1. Open carton from top end which is indicated by arrows on side of carton. Remove basket assembly and basket rod. Lay these aside until remainder of sweeper is assembled.
2. Remove Sweeper Head and Frame Assembly from carton. Assemble upper support frame items 6 and 30 to items 10 and 21, Fig. 2, so that the upper part nests inside curved end of the lower part. Place $\frac{1}{4}$ -20 x $1\frac{1}{4}$ bolt through hole and install Esna lock nut, items 9 and 8, Fig. 2.
3. Note that the casters have been mounted upside down on the frame for shipping. Remove $\frac{3}{8}$ nut and lock washer and pull the assembly as a unit from the tube. Turn the assembly over and insert bolt through the tube from the bottom. Replace clamp, item 4, lock washer, item 12, nut, item 11 and tighten. Refer to exploded view in Fig. 2 for item numbers.
4. The basket pivot assembly parts shown in Fig. 3 have all been assembled and attached to the upper handle at point "A" in figure 2. Remove $\frac{1}{4}$ -20 x $1\frac{1}{4}$ bolt from the basket frame and place the basket assembly in position as shown on front cover. Be sure basket stops, item 19, Fig. 3 on front edge of basket are under basket stop in hooks, item 19 in Fig. 2. Line up hole in basket frame with hole in inside half of pivot hinge, item 16, Fig. 3. Insert bolt, item 8, Fig. 3 and install nut. Also see Fig. 4 for more information.
5. STEP A: Tip basket upside down until it lays flat as shown. Place hook ends of basket support rod, Ref. No. 7, Fig. 3, into holes in upper basket frame, letting the rod lay flat along basket bottom.
STEP B: Tip basket back half way and pull canvas and bottom back until canvas is tight and bottom is vertical to the floor.
STEP C: Force the bottom of basket support rod to one side until you can get rod to fit between canvas and turned-up edge of basket bottom.
STEP D: Push the rod into position so that it is square with back of basket. Let basket drop back into sweeping position as shown on front cover.
6. Attach hitch, Ref. No. 23, Fig. 2, to sweeper unit by removing the cotter pins, Ref. No. 16, Fig. 1, from the axle studs. Place hitch over ends of axle studs as shown in Fig. 2, and replace cotter pins.

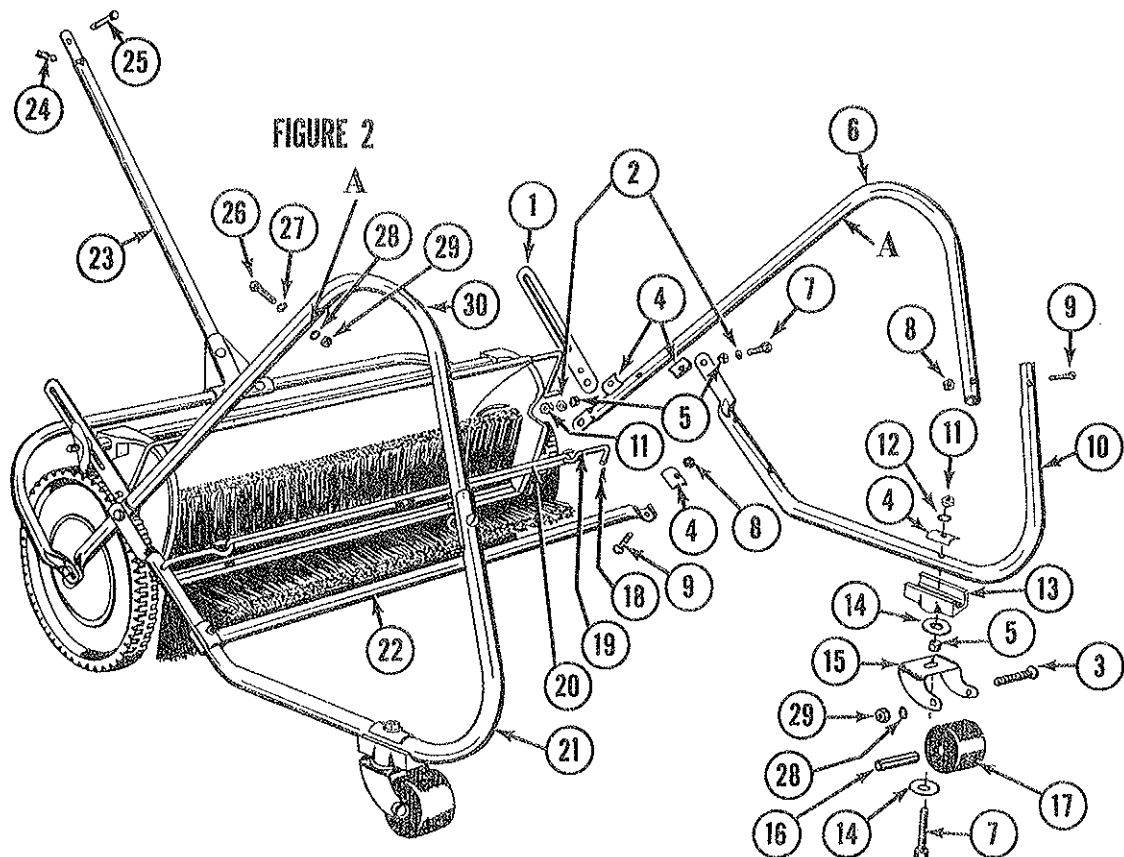


HITCH-N-SWEEP	SIZE 25"	PRODUCTION YEAR 1967	MODEL No. HS6225-A
---------------	-------------	-------------------------	-----------------------

HITCH AND BASKET SUPPORT FRAME ASSEMBLY

Figure 2

Ref. No.	Part No.	Description of Part	No. Req.	Ref. No.	Part No.	Description of Part	No. Req.
1	60-21-A	Brush Adjusting Bracket	2	16	45-77-A	Bushing	2
2	*945-516	Washer — Plain $\frac{5}{16}$	4	17	63-52-A	Roller	2
3	*515-416-44	Screw — Round Head $\frac{1}{4}$ -20 x 2 $\frac{1}{4}$	2	18	*380-332-12	Cotter Pin $\frac{3}{32}$ x $\frac{3}{4}$	2
4	59-77-A	Clamp	8	19	62-129-A	Hook — Basket Stop	2
5	54-227-A	Spacer	6	20	62-165-A	Elastic Cord Assembly 69-121-A	1
6	62-149-RD	Frame — Upper Support — Right Hand	1	21	62-146-LD	Frame — Lower Support — Left Hand	1
7	*65-516-32	Bolt — Hex Hd. $\frac{5}{16}$ -18 x 2	4	22	62-147-B	Brace — Support Frame	1
8	364-416	Esna Nut $\frac{1}{4}$ -20	4	23	62-166-E	Hitch Assembly	1
9	*65-416-20	Bolt — Hex Hd. $\frac{1}{4}$ -20 x 1 $\frac{1}{4}$	4	24	57-110-A	Cotter Pin (Hair)	1
10	62-145-RD	Frame — Lower Support — Right Hand	1	25	53-95-A	Clevis Pin 59-117-A	1
11	*335-516	Hex Nut $\frac{3}{16}$ -18	4	26	*65-416-20	Bolt — Hex Hd. $\frac{1}{4}$ -20 x 1 $\frac{1}{4}$	2
12	*936-516	Lock Washer $\frac{5}{16}$	2	27	*945-416	Washer — Plain $\frac{1}{4}$	2
13	59-68-B	Pivot Block 80-265-A	2	28	*936-416	Lock Washer $\frac{1}{4}$	4
14	55-156-A	Washer — Special 82-138-B-14	14	29	*335-416	Hex Nut $\frac{1}{4}$ -20	4
15	60-29-B	Caster Fork	2	30	62-148-LD	Frame — Upper Support — Left Hand	1



BASKET ASSEMBLY

Figure 3

Ref. No.	Part No.	Description of Part	No. Req.	Ref. No.	Part No.	Description of Part	No. Req.
1	62-142-E	Frame — Upper Basket	1	14	62-132-A	Spacer	2
2	*70-516-20	Carriage Bolt $\frac{3}{16}$ -18 x $1\frac{1}{4}$	1	15	53-08-A	Spacer 80-213-A	2
3	*936-516	Lock Washer $\frac{3}{16}$	1	16	62-128-A	Bracket — Pivot Basket Swivel	2 <i>81-02-A</i>
4	*335-516	Hex Nut $\frac{3}{16}$ -18	3	17	62-156-E-1	Basket Assembly	1
5	59-60-A	Bracket	1	18	62-143-B	Frame — Lower Basket	1
6	60-09-A	Rope Assembly	1	19	62-130-B	Stop — Basket	2
7	62-144-B	Rod — Basket Support	1	20	355-416	Stamped Square Nut $\frac{1}{4}$ -20	4
8	*65-416-20	Bolt — Hex Hd. $\frac{1}{4}$ -20 x $1\frac{1}{4}$	2	21	59-72-C	Clamp — Basket Bottom	1
9	*945-416	Washer — Plain $\frac{1}{4}$	2	22	*515-416-6	Screw — Round Hd. $\frac{1}{4}$ -20 x $\frac{3}{8}$	4
10	*936-416	Lock Washer $\frac{1}{4}$	2	23	*346-416	Speed Nut $\frac{1}{4}$	4
11	*335-416	Hex Nut $\frac{1}{4}$ -20	2	24	*515-416-20	Screw — Round Hd. $\frac{1}{4}$ -20 x $1\frac{1}{4}$	4
12	*65-516-20	Bolt — Hex Hd. $\frac{3}{16}$ -18 x $1\frac{1}{4}$	2	25	*945-516	Washer — Plain $\frac{3}{16}$	2
13	57-182-A	Bracket — Pivot Frame Swivel	2				

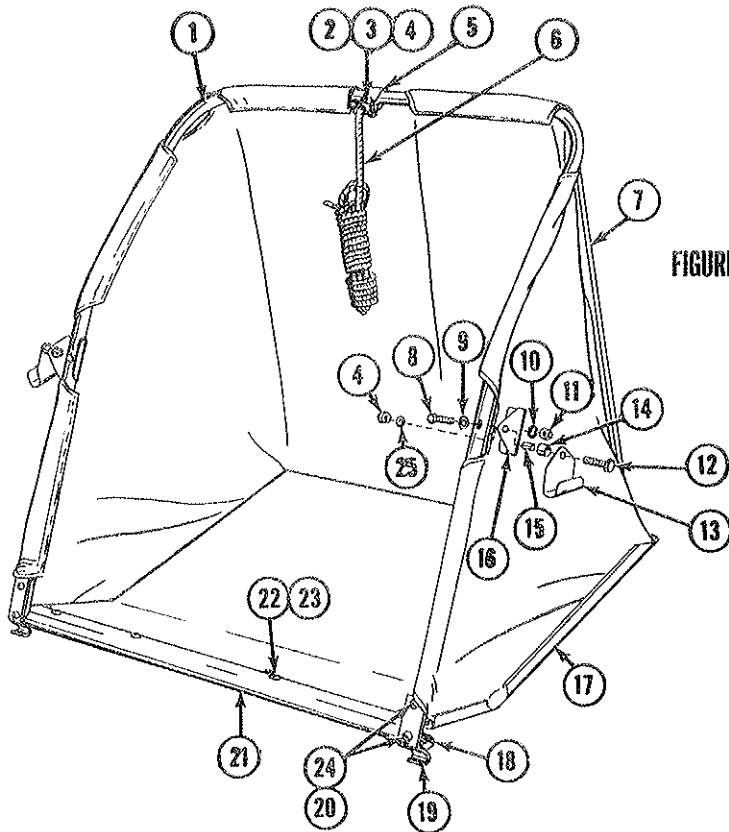


FIGURE 3

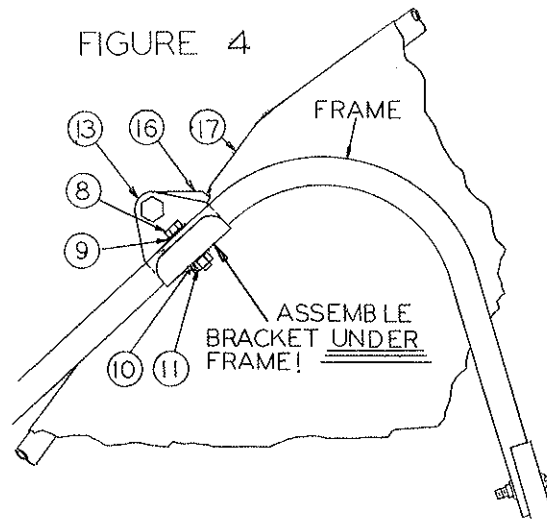


FIGURE 4

OPERATING INSTRUCTIONS

Brush Height Adjustment. Loosen large wing nut, Ref. No. 9, Fig. 1. To raise brushes to extreme height, pull sweeping unit forward as far as slots in brush adjustment brackets, Ref. No. 1, Fig. 2, will permit. To lower brushes to lowest position, push sweeping unit backwards as far as slots will permit. Secure wing nut when desired brush adjustment is obtained.

1. For grass clippings or leaves, adjust hood extension, Ref. No. 5, Fig. 1 and brushes to highest positions. After trial run on lawn, should the settings be too high, lower slightly and try again until correct setting is found. Brush life may be prolonged by adjusting so contact with ground is light. The lighter the contact, the longer the wear and easier to pull.
2. For patio, sidewalk, and driveway sweeping, adjust hood extension to bottom position. The extension is in correct position when it does not drag or throw sweepings ahead of sweeper. Also adjust brushes so they just contact cement.

NOTE: IF SWEEPER PULLS HARD, THE BRUSHES OR HOOD EXTENSION IS SET TOO LOW.

Operation. The load is dumped from basket by pulling basket forward with rope, causing basket to pivot into

a semi-inverted position. When load is discharged allow rope and basket to return to its normal position.

Maintenance. Lubricate the sweeper every time the machine is used or twice a day when machine is used all day. The wheels and casters should be lubricated at the same time. A drop or two of oil should also be applied occasionally to the basket pivot point. It is not necessary to oil brush bearings.

Care and Replacement of Brushes. The brushes used on this sweeper are made of the finest bristles that will give years of service if given proper care. Should they become bent from constant use, dampening and straightening will reset the bristles upright. It is also possible to straighten bristles by reversing the brushes on reel shaft.

To reverse or replace brushes:

1. Turn the sweeper upside down on the ground.
2. Remove the bolts which hold the brush sections to the reel shaft. Reverse and replace the brushes and retighten the bolts.

Basket Care. The basket is made of high quality canvas. To insure longer basket life empty after each use.

ALWAYS GIVE THE FOLLOWING INFORMATION WHEN ORDERING REPAIR PARTS

If you are unable to obtain parts locally, write to the factory for name of nearest service dealer.

1. Part Number and Quantity.
2. Model Number (found on Hood or Side Plate).
3. Serial Number (found on Guarantee Card).

Your unit is right hand (R.H.) or left hand (L.H.) as you stand behind it.

*Standard hardware items may be purchased locally.

SWEEPER UNIT ASSEMBLY

Figure 1

Ref. No.	Part No.	Description of Part	No. Req.	Ref. No.	Part No.	Description of Part	No. Req.
1	62-138-D	Hood	1	14	47-438-C	Tire .63-224-B	2
2	*351-416-18 ✓	Wing Nut ¼-20	2	15	946-816-16 ✓	Fiber Washer	2
3	*945-516 ✓	Washer — Plain ⅝	3	16	*380-332-12 ✓	Cotter Pin ½ x ¼	2
4	60-22-B ✓	Hood Clamp	2	17	52-140-B	Reel Shaft	1
5	62-162-C ✓	Hood Extension Assembly	1	19	52-141-B	Brush Assembly BK-12	Set of 2
6	*70-416-12	Carriage Bolt ¼-20 x ¾	2	20	*515-416-24	Screw — Round Head ¼-20 x 1½	2
7	564-C-516-10	Set Screw Sq. Hd. ⅝-18 x ⅝	4	21	355-416	Stamped Square Nut ¼-20	2
8	68-11-D	Side Plate — Left Hand 71-05-LD	1	22	62-136-A	Bottom Tie Rod	1
9	351-516-40	Wing Nut ⅝-18 x 2½	1	23	68-3-RD	Side Plate — Right Hand 71-05-RD	1
10	946-1216-24 ✓	Fiber Washer	2	24	62-135-A	Adjusting Tube	1
11	45-25-A *	Pawl	2	25	62-141-A	Bolt — Adjusting	1
12	45-18-RA *	Pinion — Right Hand (not shown)	1	26	68-60-A ✓	Bearing, Ball	2
13	45-19-LA *	Pinion — Left Hand (shown)	1	27	63-212-B	Rod — Hood Control	2
13	49-377-C ✓	Wheel	2				

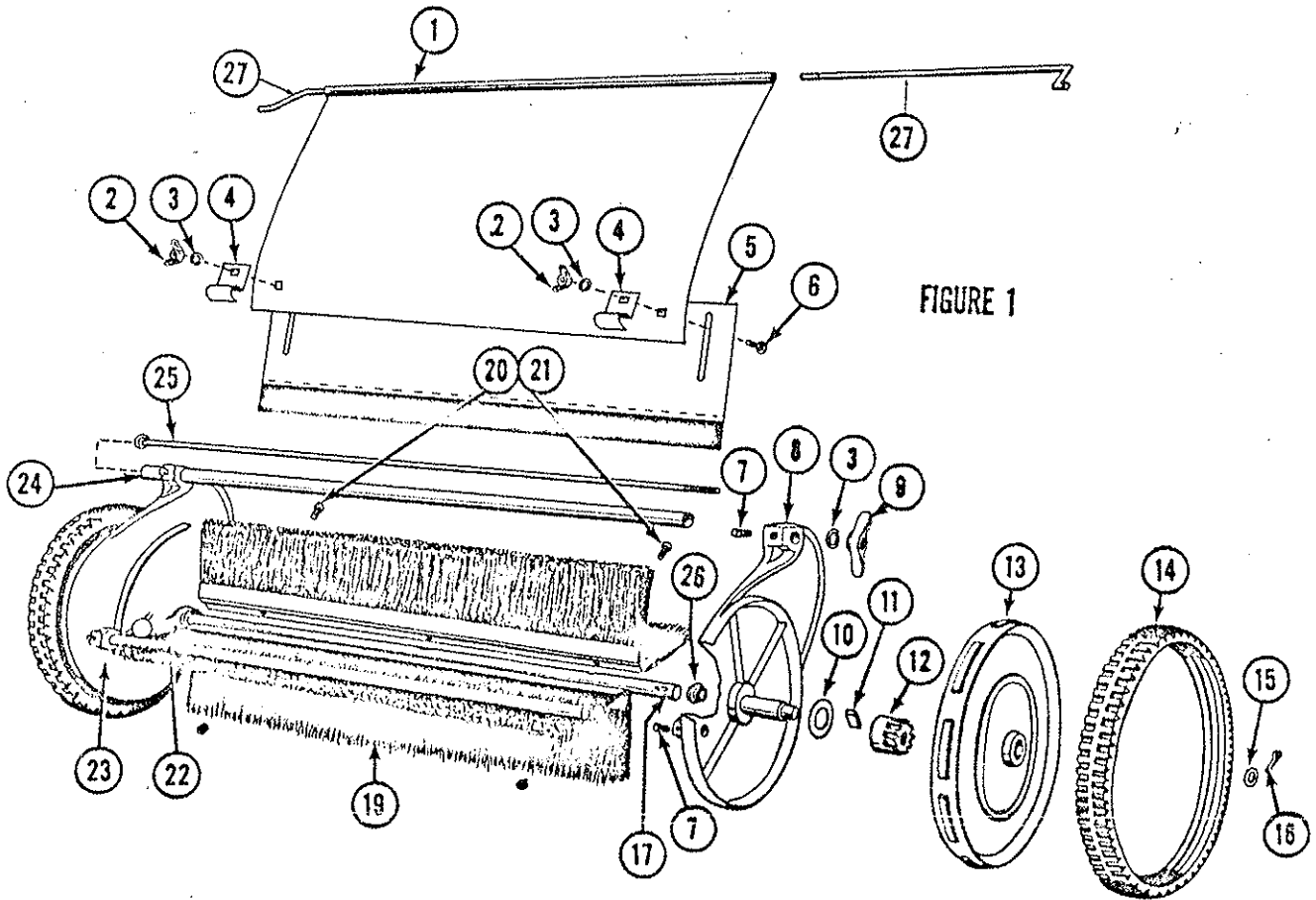


FIGURE 1