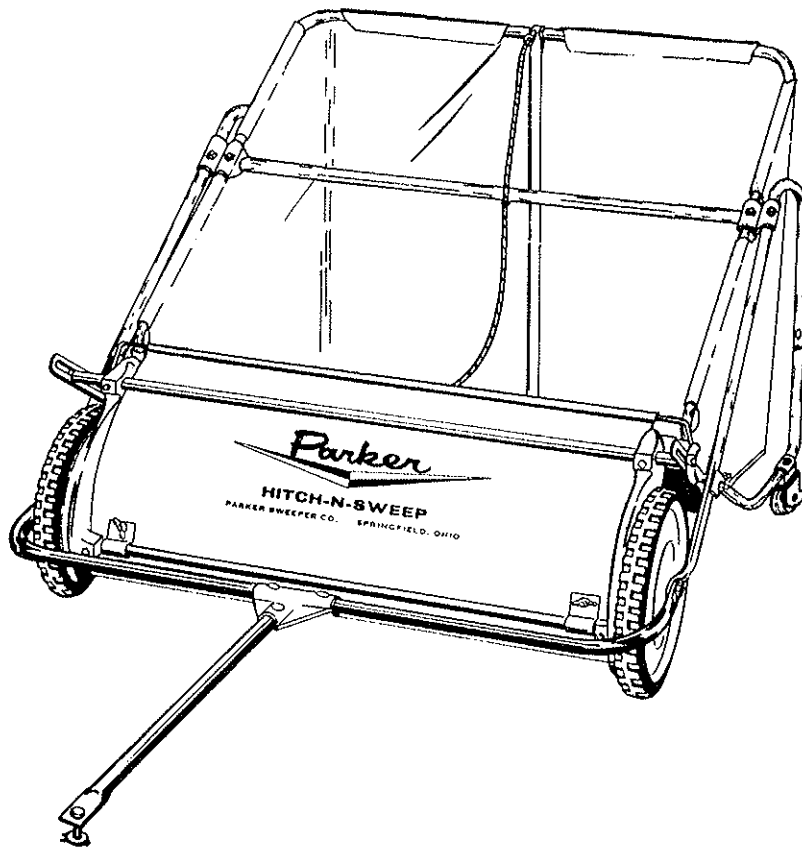


*Production year 1970*

# OWNERS GUIDE



## HS-7030 HITCH-N-SWEEP



**NOTICE:** These instructions were written to assist you in assembling your Lawn Sweeper quickly and correctly. Read instructions thoroughly before attempting assembly so that you are familiar with the complete procedure.

**PARKER SWEEPER COMPANY**

**BOX 720 1728**

**SPRINGFIELD, OHIO 45501**

# ASSEMBLY INSTRUCTIONS

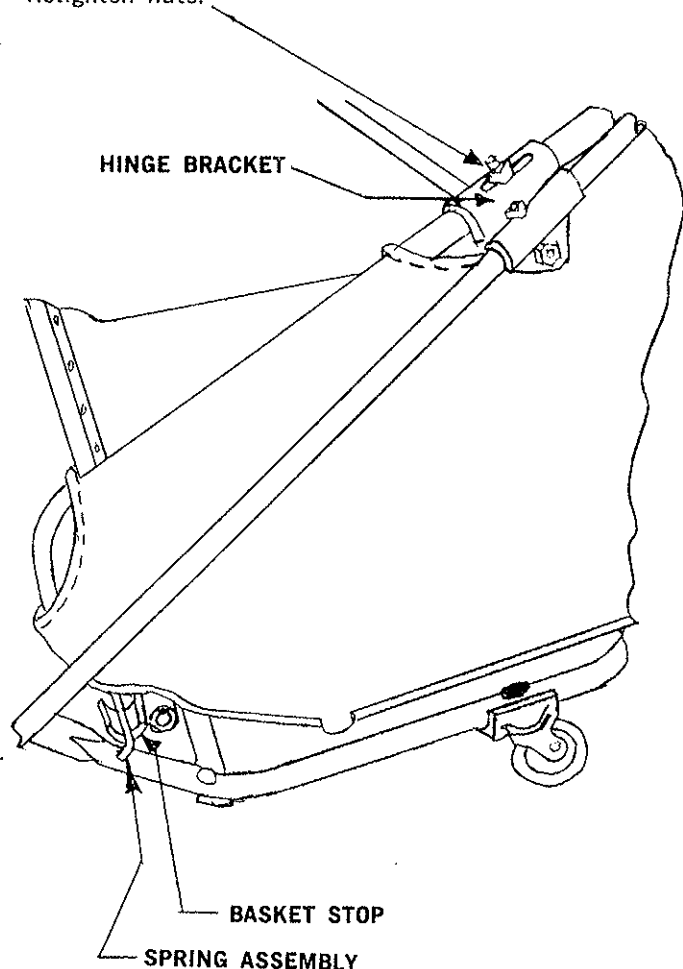
HS-7030

**NOTE:** Right hand and left hand position is determined by a person standing, facing direction of travel.

1. Remove basket assembly and tube, basket support. Lay these aside until remainder of sweeper is assembled.
2. Assemble upper support frame Ref. Nos. 6 and 30 to Ref. Nos. 10 and 21, Fig. 2, so that the upper part nests inside curved end of the lower part. Place Ref. No. 2 bolt through hole and install Ref. No. 12 washer, Ref. No. 8 nut and tighten.
3. Note that the casters have been mounted upside down on the frame for shipping. Remove Ref. No. 11, 5/16 nut and Ref. No. 9 lock washer and pull the assembly as a unit from the tube. Turn the assembly over and insert Ref. No. 4 bolt through the tube from the top. Replace Ref. No. 13 pivot block, Ref. No. 14 washer, Ref. No. 5 spacer, Ref. No. 15 caster assembly, Ref. No. 14 washer, Ref. No. 9 lock washer, Ref. No. 11 nut and tighten. Ref. to exploded view in Fig. 2. for Ref. Numbers.
4. Fig. 2 point A. Remove Ref. No. 8 nut, Ref. No. 12 washer, Ref. No. 2 bolt, from both Ref. Nos. 6 and 30 frame. Place basket assembly Fig. 3 in position as shown on front page and Fig. 4. Replace Ref. No. 24 bolt, Ref. No. 10 washer, Ref. No. 11 nut, and tighten. (Both sides Ref. Nos. 6 and 30 frame Fig. 2)
5. Remove Ref. No. 5 eye bolt, Ref. No. 4 nut, Ref. No. 7 bolt, Ref. No. 9 washer, and Ref. No. 8 nut from bag. Ref. Fig. 3 assembly. Ref. No. 2 tube basket support to Ref. No. 1 frame upper basket and basket bottom by placing Ref. No. 5 eye bolt through Ref. No. 2 tube basket support and Ref. No. 1 frame upper basket, Ref. No. 4 nut and tighten. Ref. Sect. A. Align hole in end of Ref. No. 2 tube basket support with hole in basket bottom and replace Ref. No. 7 bolt, Ref. No. 8 nut, and tighten. Tie one end of rope in Ref. No. 5 eye bolt.
6. Fig. 2 Attach tongue Ref. No. 31 to Ref. No. 23 yoke-hitch by removing 4 1/4-20 x 1/2 bolts and nuts and losing Ref. No. 33 bolt and Ref. No. 34 nut in Ref. No. 32 clamps. Insert Ref. No. 23 yoke-hitch between Ref. No. 32 clamps. Replace 4 1/4-20 x 1/2 bolts and nuts. Make sure the dimple in Ref. No. 32 clamps are seated in the dimple of Ref. No. 23, then tighten all nuts.

## BASKET STOP ALIGNMENT

After basket is assembled into frame, it may be necessary to adjust basket position so that stop will contact spring assembly. Loosen nut on hinge bracket and slide basket until stop is aligned with spring. Retighten nuts.



updated 7-14-93

### BASKET ASSEMBLY HS-7030

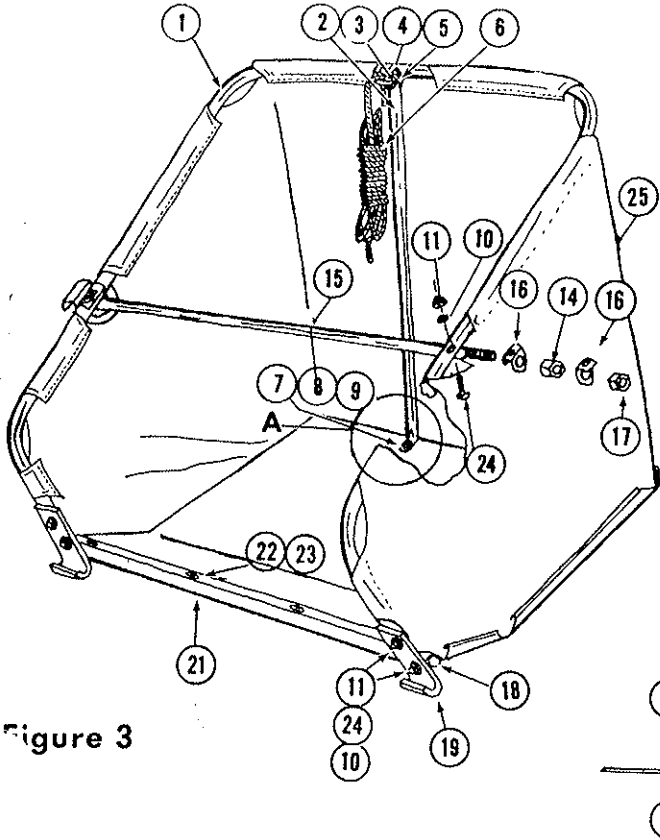


Figure 3

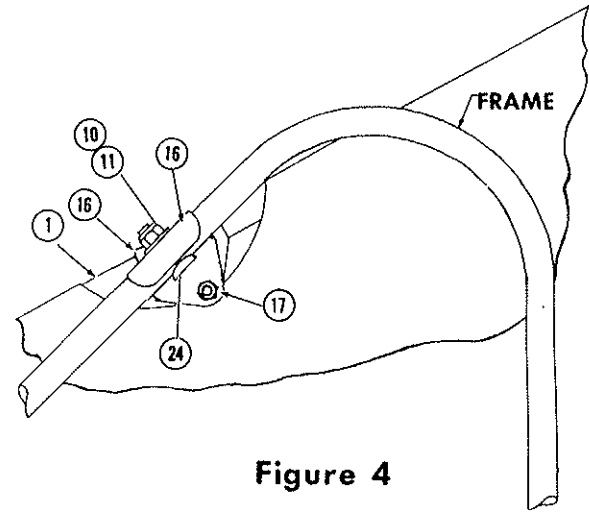
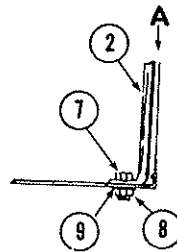


Figure 4



Ref. No.	Part No.	Qty. Per Unit	Description	Ref. No.	Part No.	Qty. Per Unit	Description
1	<del>69-82-E</del>	1	Frame Upper Basket	14	326-816	2	Hex. Thick Nut 1/2-20
2	<del>69-79-D</del>	1	Tube-Basket Support	15	<del>70-25-A</del>	1	Rod-Pivot 1/2 C.R.S. x 35 1/4
3	335-416	1	Hex. Nut 1/4-20	16	<del>62-128-A</del>	4	Bracket-Pivot Basket Swivel
4	364-416	1	Nut-Hex. Lock Thin	17	345-816	2	Hex. Jam Nut 1/2-20
5	<del>69-168-A</del>	1	Bolt Closed Eye 1/4-20	18	<del>69-83-B</del>	1	Frame-Lower Basket
6	60-09-A	1	Rope Assembly	19	69-78-A	2	Stop Basket
7	65-416-10	1	Hex. Hd. Bolt 1/4-20 x 5/8	21	69-76-C	1	Clamp-Basket Bottom
8	364-416	1	Nut-Elastic	22	<del>515-416-6</del>	5	Screw-Round Hd. 1/4-20 x 3/8
9	945-416	1	Washer-Flat	23	346-416	5	Speed Nut 1/4
10	936-416	8	Washer-Int. Tooth Lock 1/4	24	69-416-20	8	Bolt-Contour 1/4-20 x 1 1/4
11	335-416	8	Hex. Nut 1/4-20	25		1	Basket Ass'y.

75-166-RC  
75-167-LC

81-02-A

SA-241-B (F)

#### ALWAYS GIVE THE FOLLOWING INFORMATION WHEN ORDERING REPAIR PARTS:

1. PART NUMBER (Not Ref. No.)
2. QUANTITY NEEDED
3. DESCRIPTION OF PART
4. MODEL No. HS-7030

If unable to obtain parts locally, write down above information and send to:  
PARKER SWEEPER CO., BOX 720, SPRINGFIELD, OHIO 45501

Your unit is right hand (R.H.) or left hand (L.H.) as you stand behind it.

**IMPORTANT**

# HITCH AND BASKET SUPPORT FRAME ASSEMBLY HS-7030

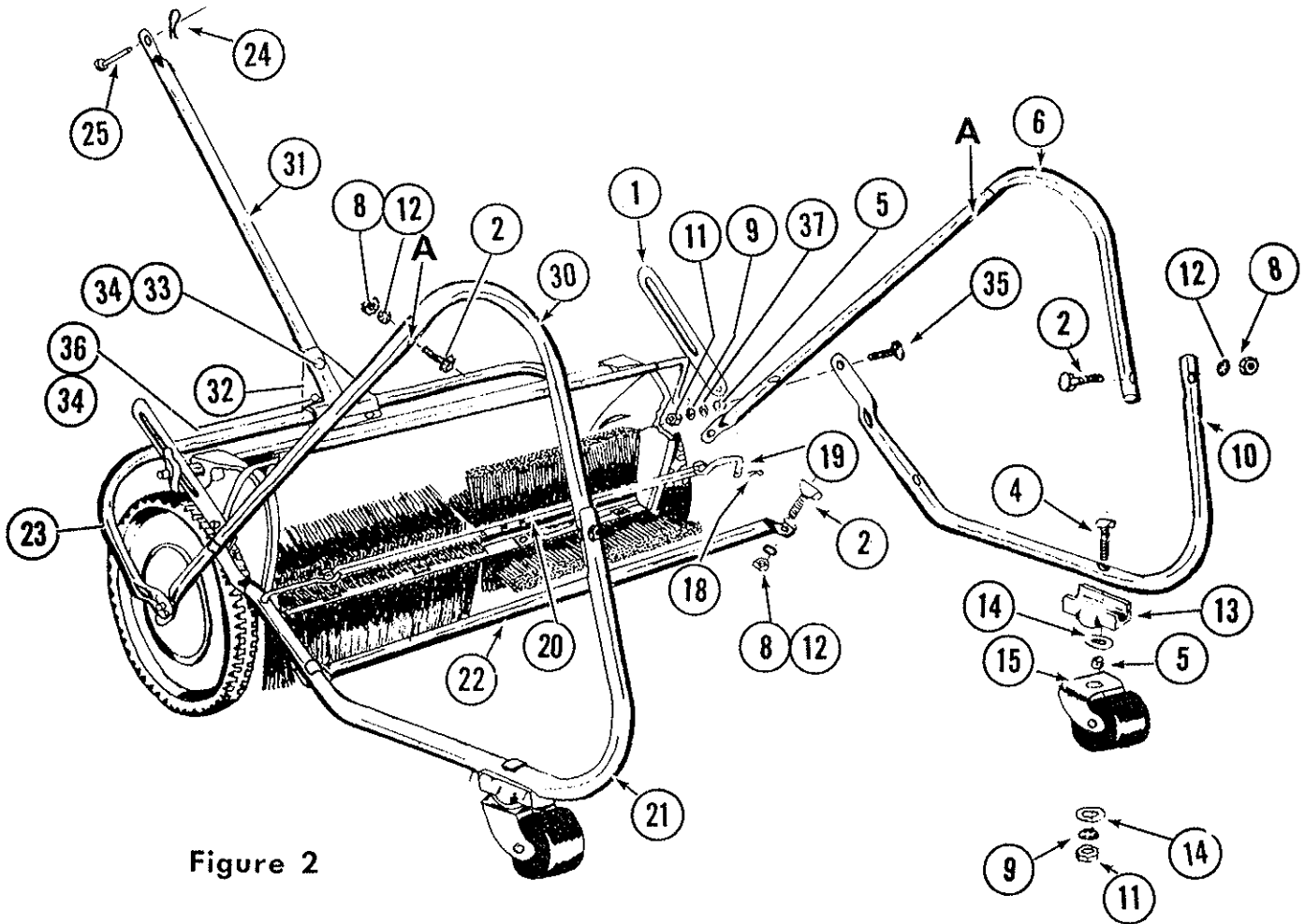
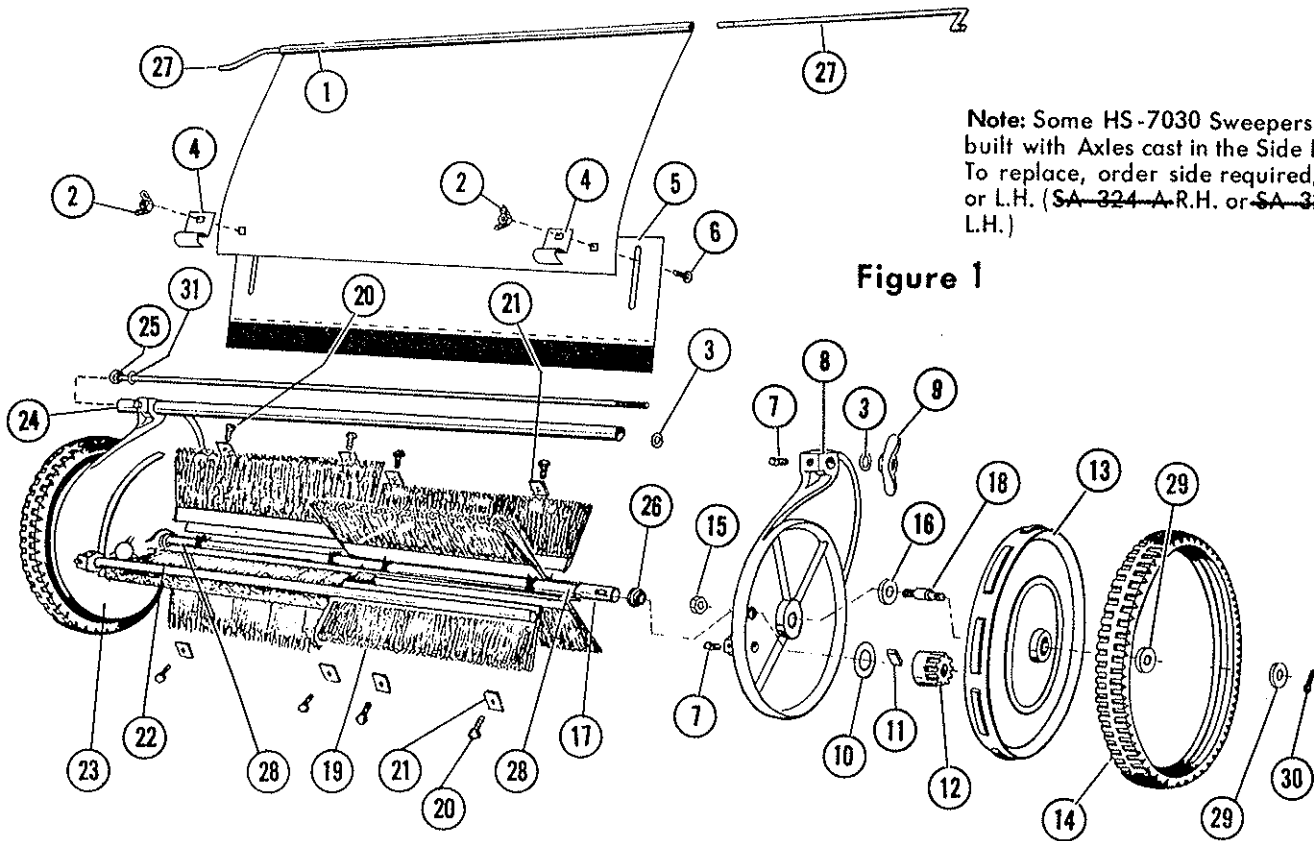


Figure 2

Ref. No.	Part No.	Qty. Per Unit	Description
1	60-21-A	2	Bracket-Brush Adjusting
2	69-416-20	6	Cont. Hd. Bolt 1/4-20 x 1 1/4
4	69-516-26	2	Cont. Hd. Bolt 5/16-18 x 1 5/8
5	54-227-A	4	Spacer
6	<del>69-88-RD</del>	1	Frame-Upper Support (R.H.)
8	335-416	6	Nut-Plain Hex. 1/4-20
	<del>936-516</del>	4	Washer-Lock (Int. Tooth)
10	<del>69-86-RD</del>	1	Frame-Lower Support R.H.
11	335-516	4	Nut-Plain Hex. 5/16-18
12	936-416	6	Washer-Lock (Int. Tooth)
13	<del>69-68-B</del>	2	Pivot-Block <i>80-265-A 79-174-A</i>
14	<del>55-156-A</del>	4	Washer Special <i>use 82-138-B-1</i>
15	SA-243-B	2	Caster Assembly
18	380-332-12	2	Cotter Pin 3/32 x 3/4
19	<del>62-129-A</del>	2	Hook-Basket Stop
20	69-121-A	1	Elastic Cord Assembly
21	69-87-LD	1	Frame-Lower Support (L.H.)
22	<del>69-85-B</del>	1	Brace-Support Frame
23	<del>69-77-D</del>	1	Yoke-Hitch
24	57-110-A	1	Cotter Pin (Hair)
25	<del>53-96-A</del>	1	Clevis Pin <del>54-117-A</del>
30	<del>69-89-LD</del>	1	Frame-Upper Support L.H.
31	<del>62-138-B</del>	1	Tongue <i>USE 76-243-A AND 2 OF 76-247-A</i>
32	69-99-B	2	Clamp-Tongue
33	65-416-20	1	Bolt-1/4-20 x 1 1/4
34	364-416	5	Nut-Hex. Lock
35	69-516-24	2	Cont. Hd. Bolt 5/16-18 x 1 1/2
36	65-416-8	4	Bolt-Hex. Hd. 1/4-20 x 1/2
37	945-516	2	Washer-Flat 5/16

\*  
65-416-20  
(364-4.  
lock nut)

# SWEEPER UNIT ASSEMBLY HS-7030



Note: Some HS-7030 Sweepers were built with Axles cast in the Side Plate. To replace, order side required, R.H. or L.H. (~~SA-324-A-R.H.~~ or ~~SA-325-A-L.H.~~)

Figure 1

Ref. No.	Part No.	Qty. Per Unit	Description
1	<del>68-13-C</del>	1	Hood <i>use 86-69-D</i>
2	351-416-18	2	Wing Nut 1/4-20
3	945-516	2	Washer-Plain 5/16
4	60-22-B	2	Hood Clamp
5	<del>68-10-C</del>	1	Hood Ext. Assem. <i>use 86-69-D</i>
6	<del>70-416-12</del>	2	Carriage Bolt 1/4-20 x 3/4
7	560-C-516-10	4	Set Screw-Sq. Hd. 5/16-18 x 5/8
8	71-05-LD	1	Side Plate (L.H.)
9	<del>351-516-40</del>	1	Wing Nut 5/16-18 x 2-1/2
10	946-1216-24	2	Fiber Washer
11	<del>45-25-A</del>	2	Pawl
	<del>45-18-RC</del>	1	Pinion (R.H.) Not Shown <i>Kit</i>
	<del>45-19-LC</del>	1	Pinion (L.H.) Shown
12	49-377-C	2	Wheel
13	63-224-B	2	Tire
15	345-816	2	Nut-Hex Jam 1/2-20
16	71-37-A	2	Washer-Special

Ref. No.	Part No.	Qty. Per Unit	Description
17	69-01-B	1	Reel Shaft
18	<del>71-36-A</del>	2	Axle
19	1200-14.5	8	Brush Strip Assem.
20	62-416-10	8	Bolt-Hex Hd. 1/4-28 x 5/8
21	69-04-A	8	Clamp-Brush Strip
22	62-04-A	1	Bottom Tie Rod
23	71-04-RD	1	Side Plate (R.H.)
24	<del>68-5-A</del>	1	Adjusting Tube
25	69-75-A	1	Bolt-Adjusting
26	68-60-A	2	Bearing (Ball)
27	68-14-A	2	Rod-Hood Control
28	<del>69-24-A</del>	2	Spacer-Reel Shaft
30	380-432-16	2	Cotter Pin-1/8" Dia. x 1
31	945-616	1	Washer-Plain
32	946-816-16	2	Washer-Fiber

~~SA-325-A-L.H.~~ (1) 71-05-LD. Side Plate  
 (TO ORDER L.H. SIDE (1) ~~71-36-A~~ Axle  
 PLATE ASSEM.) (1) 71-37-A Washer Spec.  
 (1) 345-816 Nut Hex Jam 1/2-20

~~SA-324-A-R.H.~~ (1) 71-04-R.D. Side Plate  
 (TO ORDER R.H. SIDE (1) ~~71-36-A~~ Axle  
 PLATE ASSEM.) (1) 71-37-A Washer Spec.  
 (1) 345-816 Nut Hex Jam 1/2-20

\* PINION KIT SA-1583-B

## OPERATING INSTRUCTIONS

**Brush Height Adjustment.** Loosen large wing nut, Ref. No. 11, Fig. 1. To raise brushes to extreme height, pull sweeping unit forward as far as slots in brush adjustment brackets, Ref. No. 1, Fig. 2, will permit. To lower brushes to lowest position, push sweeping unit backwards as far as slots will permit. Secure wing nut when desired brush adjustment is obtained.

1. For grass clippings or leaves, adjust hood extension, Ref. No. 6, Fig. 1 and brushes to highest positions. After trial run on lawn, should the settings be too high, lower slightly and try again until correct setting is found. Brush life may be prolonged by adjusting so contact with ground is light. The lighter the contact, the longer the wear and easier to pull.
2. For patio, sidewalk, and driveway sweeping, adjust hood extension to bottom position. The extension is in correct position when it does not drag or throw sweepings ahead of sweeper. Also adjust brushes so they just contact cement.

**NOTE: IF SWEEPER PULLS HARD, THE BRUSHES OR HOOD EXTENSION IS SET TOO LOW.**

**Operation.** The load is dumped from basket by pulling basket forward with rope, causing basket to pivot into a semi-inverted position. When load is discharged allow rope and basket to return to its normal position.

**Basket Care.** To insure longer basket life empty after each use and store in dry place.

**Maintenance:** Lubricate your sweeper each time it is used, and twice a day if it is being used all day. Three or four drops of a good grade machine oil (SAE) 20; in the oil hole on the hub of each wheel, bearings at each end of the brush shaft (in side plate) and between the caster and Alum. bracket (on side frames). Also, the pivot point of the basket on the cross rod. Wet grass clippings have a tendency to dry and adhere to the inner face of the hood; it is important to keep this face clean for good sweeping action.

**Care and Replacement of Brushes.** The brushes used on this sweeper are made of the finest bristles that will give years of service if given proper care. Should they become bent from constant use, it is possible to straighten bristles by reversing the brushes on the reel shaft, so that the sweeping pressure is applied from the opposite side.

To reverse or replace brushes:

1. Turn sweeper upside down.
2. Remove cap screws & clamps Ref. Nos. 8 and 24 Fig. 1, which hold the brush strips to the reel shaft brackets. Reverse and replace the brush strip and clamps, then retighten the cap screws.

**CAUTION:** The brush fiber and basket material will burn if in contact with open flame. Avoid dumping basket over fire.