

- SWEEPER UNIT ASSEMBLY -

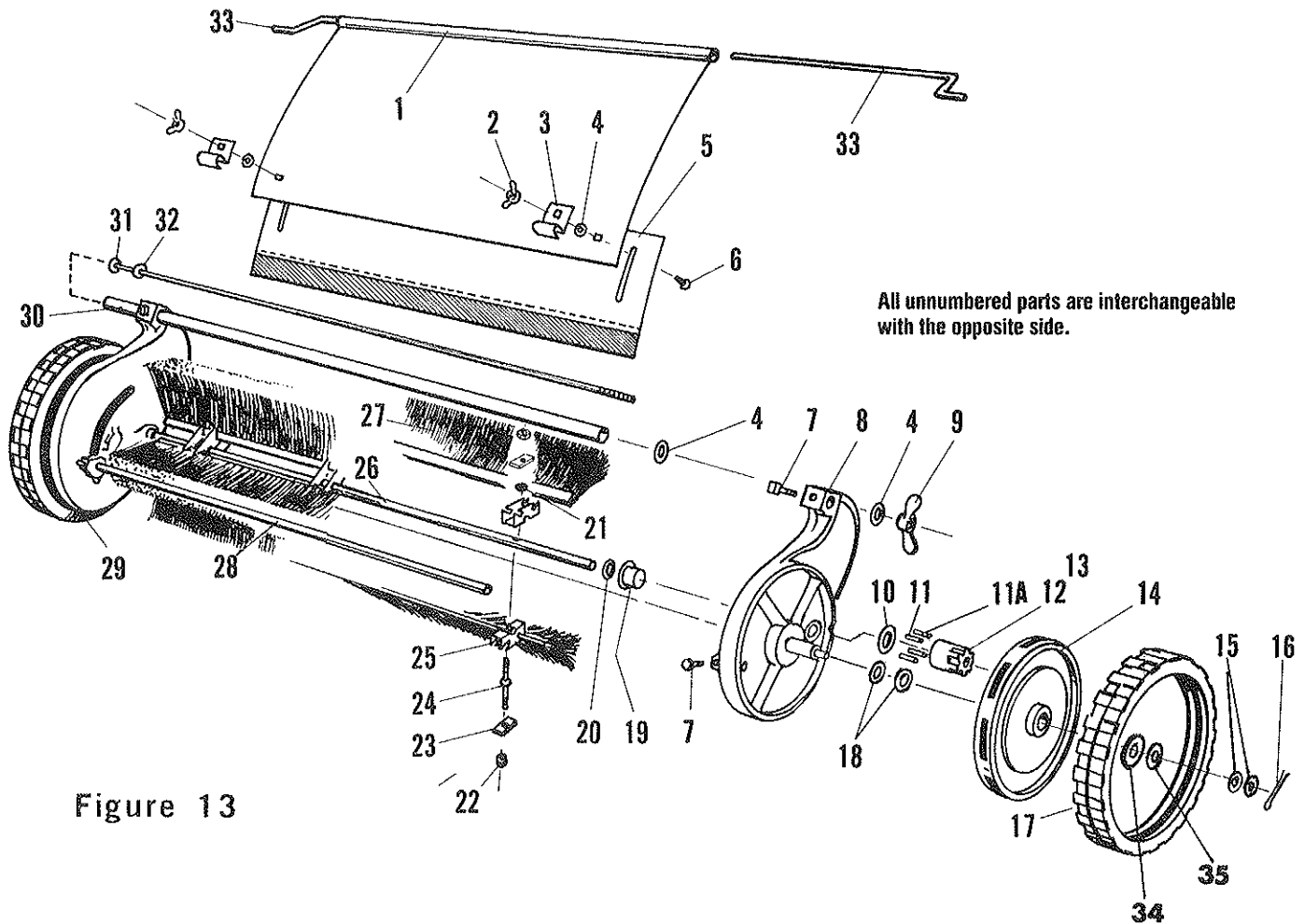


Figure 13

PARTS LIST

Ref. No.	Part No.	Qty. Per Unit	Description of Part	Ref. No.	Part No.	Qty. Per Unit	Description of Part
1	75-160	1	Hood 68-13-C	19	68-60 -A-	2	Ball Bearing
2	351-116-18	2	Wing Nut 1/4-20	20	55-161 -A-	2	Special Washers
3	60-22-B	2	Hood Clamp	21	75-89 -A-	4	Retainer
4	945-516	4	Plain Washer 5/16	22	362-416	8	Hexagon Lock Nut 1/4-20
5	68-10-C	1	Hood Extension 86-69-B	23	69-04 -A-	8	Brush Clamp
6	70-416-127	2	Carriage Bolt 1/4-20 x 3/4	24	74-16 -A-	4	Brush Stud
7	560-C-516-10	4	Set Screw 5/16-18 x 5/8	25	74-13 -C-	8	Brush Bracket
8	68-04	1	Left Hand Side Plate 71-05-LD	26	77-137 -B-	1	Reel Shaft
9	73-71-4	1	Wing Nut 5/16	27	1200-14.5	8	Brush Strip
10	50-33 -A-	2	Special Washer	28	62-04 -A-	1	Bottom Tie Rod
11	74-80 -A- *	4	Pawl	29	68-03	1	Right Hand Side Plate 71-04-RD
11A	76-37 -A- *	4	Pawl Spring	30	78-131 -A-	1	Adjusting Tube
12	74-79 -LB- *	1	Left Hand Pinion	31	78-133 -A-	1	Adjusting Bolt
13	74-78 -RB- *	1	Right Hand Pinion	32	945-616	1	Plain Washer 3/8
14	49-377 -C-	2	Wheel	33	78-132 -A-	2	Hood Control Rod
15	46-81 -A-	4	Special Washer	34	946-816-16	2	Washer-Fiber
16	380-432-16	2	Cotter Pin 1/8 x 1	35	71-37 -A-	2	Washer-Special
17	78-124 -C-	2	Tire				
18	946-1216-24	4	Fiber Washer				

- FRAME ASSEMBLY -

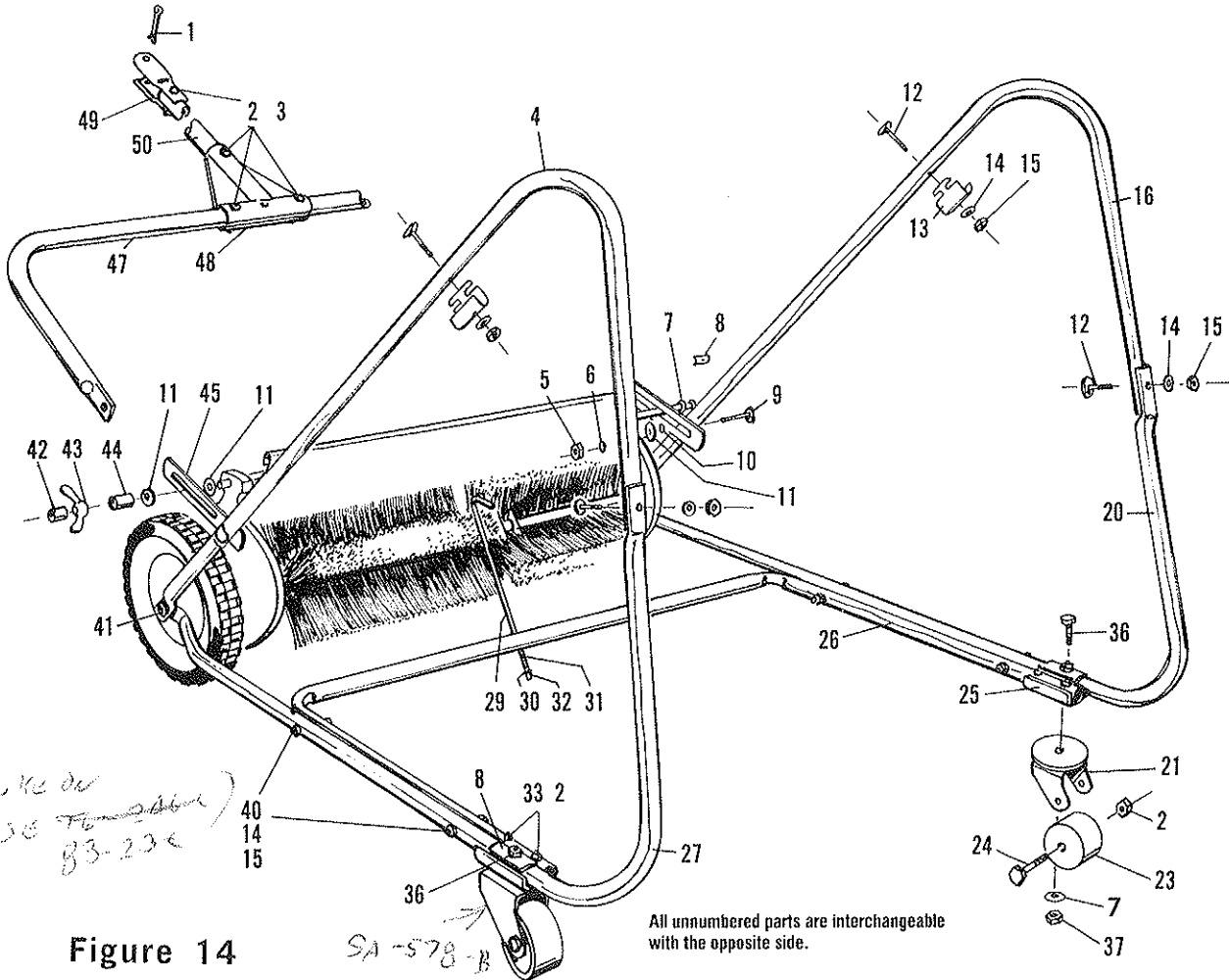
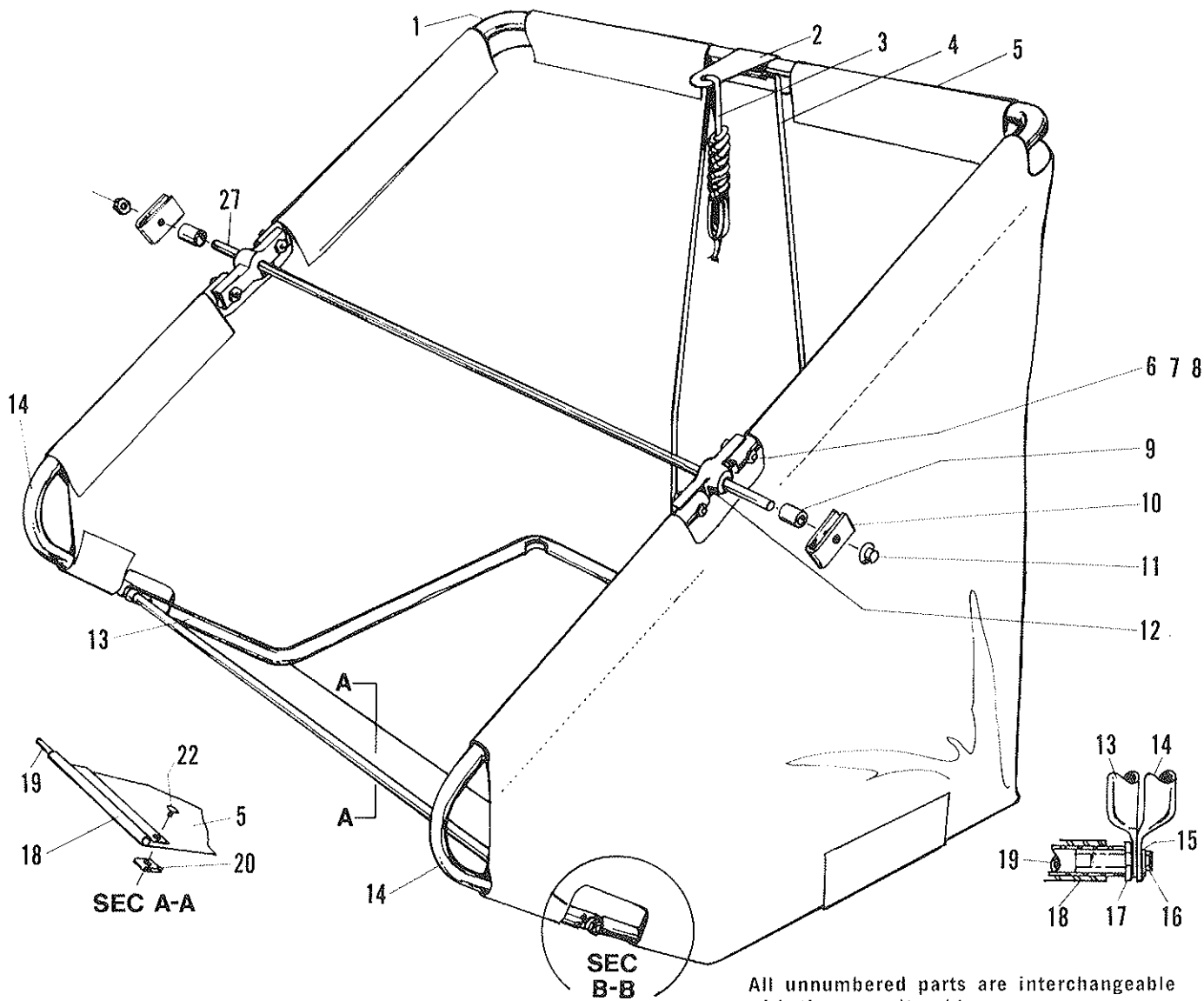


Figure 14

PARTS LIST

Ref. No.	Part No.	Qty. Per Unit	Description of Part	Ref. No.	Part No.	Qty. Per Unit	Description of Part
1	74-75	1	Hitch Pin 81-14-A	25	76-81-B	2	Caster Plate
2	365-416	8	Hexagon Lock Nut 1/4-20	26	76-307-B	1	Frame Support
3	65-416-24	4	Hexagon Cap Screw 1/4-20 x 1-1/2	27	76-306-LC	1	Lower Frame Left Hand
4	76-309-LC	1	Upper Frame Left Hand	29	76-255-A	1	Basket Stop
5	335-516	2	Hexagon Nut 5/16-18	30	945-416	1	Plain Washer 1/4
6	935-516	2	Spring Lock Washer 5/16	31	76-271-A	1	Compression Spring
7	76-139-A	2	Washer	32	75-89-A	1	Retainer
8	59-77-A	4	Tube Clamp	33	65-416-20	4	Hexagon Cap Screw 1/4-20 x 1-1/4
9	69-516-24	2	Contour Head Bolt 5/16-18 x 1-1/2	36	65-516-32	2	Hexagon Cap Screw 5/16-18 x 2
10	54-227-A	2	Spacer	37	365-516	2	Hexagon Lock Nut 5/16-18
11	945-516	4	Plain Washer 5/16	40	69-416-28	4	Contour Head Bolt 1/4-20 x 1-3/4
12	69-416-20	4	Contour Head Bolt 1/4-20 x 1-1/4	41	380-432-16	2	Cotter Pin 1/8 x 1
13	76-240-A	2	Pivot Bracket	42	69-75-A	1	Adjusting Bolt
14	935-416	8	Spring Lock Washer 1/4	43	73-71-A	1	Wing Nut 5/16-18
15	335-416	8	Hexagon Nut 1/4-20	44	53-08	1	Spacer 80-213-A
16	76-308-RC	1	Upper Frame Right Hand	45	60-21-A	2	Brush Adjusting Bracket
20	76-305-RC	1	Lower Frame Right Hand	47	76-246-C	1	Yoke 83-23-L YOKER *
21	76-143	2	Fork Assembly R/w 76-136-B 78-136-A	48	76-233-C	2	Tee Clamp
23	76-58-A	2	Roller	49	76-247-A	2	Clevis Lug
24	76-202-A	2	Axle	50	76-243-A	1	Tongue 89-103-A

- BASKET ASSEMBLY -



All unnumbered parts are interchangeable with the opposite side.

Figure 15

PARTS LIST

Ref. No.	Part No.	Qty. Per Unit	Description of Part	Ref. No.	Part No.	Qty. Per Unit	Description of Part
1	76-319-B	1	Rear Basket Frame	12	69-62	2	Pivot Bracket <i>79-112-B</i>
2	76-252-A	1	Rope Clip	13	76-245	1	Lower Basket Frame <i>83-81-C</i>
3	60-09-A	1	Rope	14	76-295-B	2	Front Basket Frame
4	76-328-B	1	Basket Spring	15	935-516	2	Spring Lock Washer 5/16
5	76-329	1	Basket Sides and Bottom <i>SA-1178-C</i>	16	76-269-A	2	Lag Bolt 5/16 x 1-1/2
6	69-416-20	4	Contour Head Bolt 1/4-20 x 1-1/4	17	76-270-A	2	Insert
7	935-416	4	Spring Lock Washer 1/4	18	76-301-B	1	Basket Bottom Clamp
8	335-416	4	Hexagon Nut 1/4-20	19	76-313-A	1	Basket Bottom Support
9	73-414-A	2	Spacer	20	346-416	4	Speed Nut 1/4
10	76-242-A	2	Pivot Latch	22	515-416-6	4	Machine Screw 1/4-20 x 3/8
11	76-254-A	2	End Cap	27	76-294-A	1	Pivot Rod

