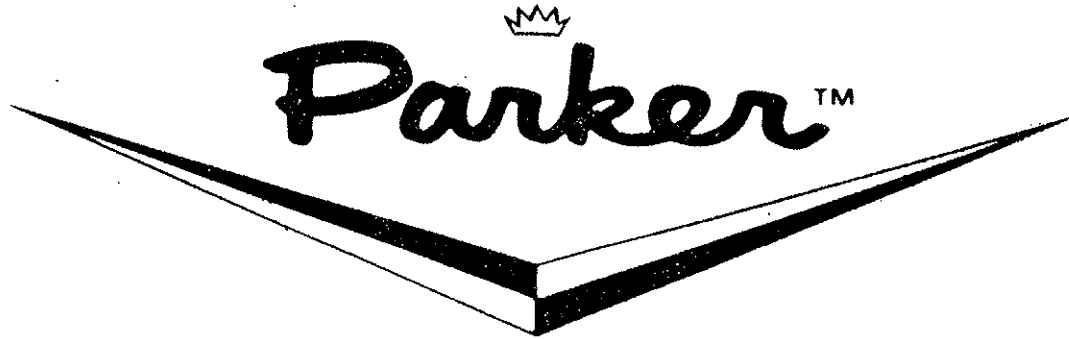
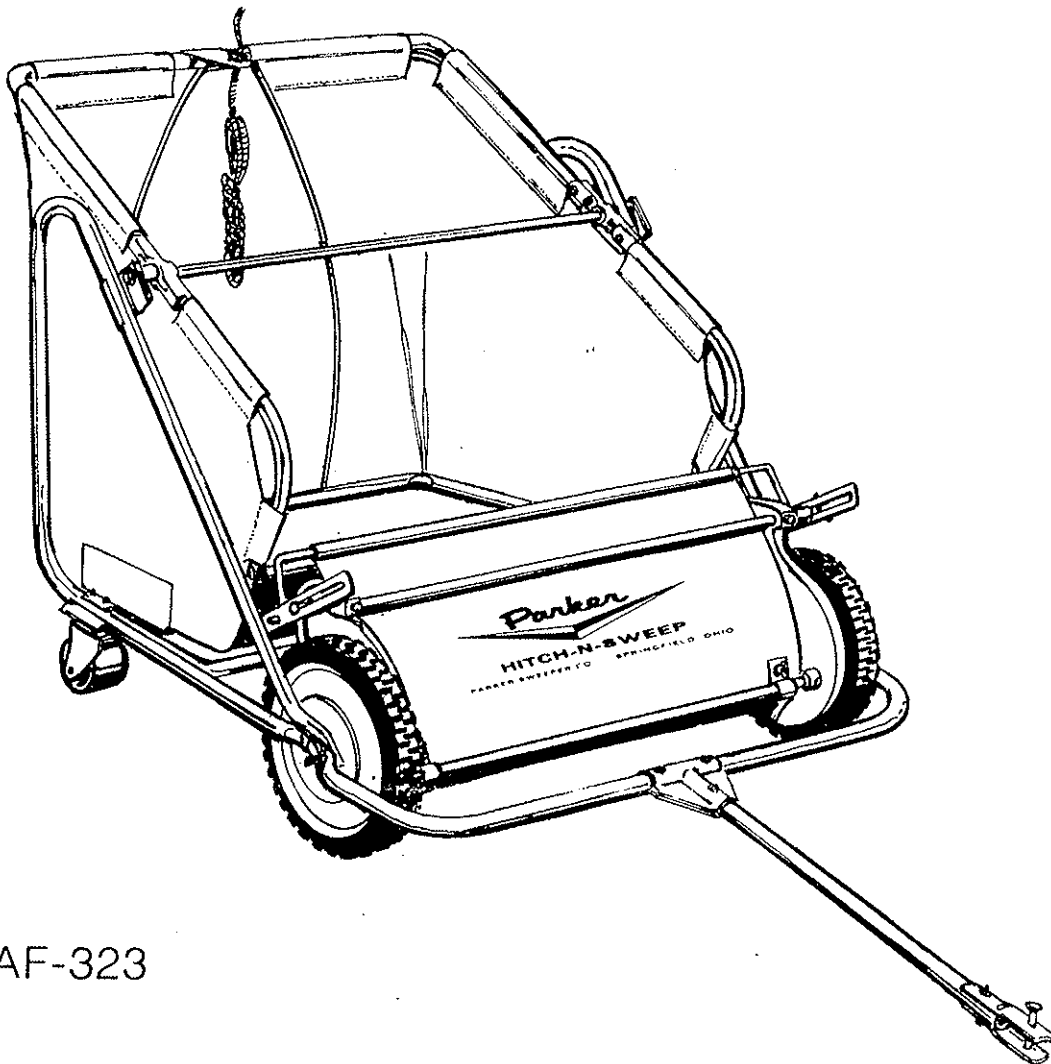


OWNERS GUIDE



HS-7930 HITCH-N-SWEEP



AF-323

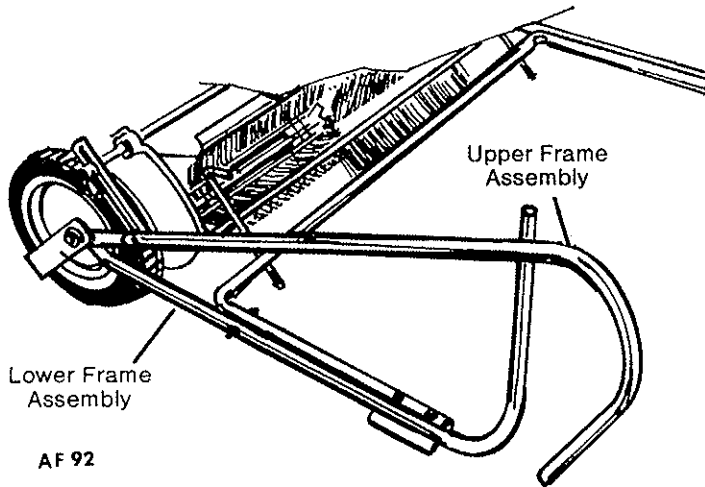
PARKER SWEEPER COMPANY Box 1728 Springfield, Ohio 45501

Plate No. 334 (Revised 9-17-81) *revised 5/2/11*

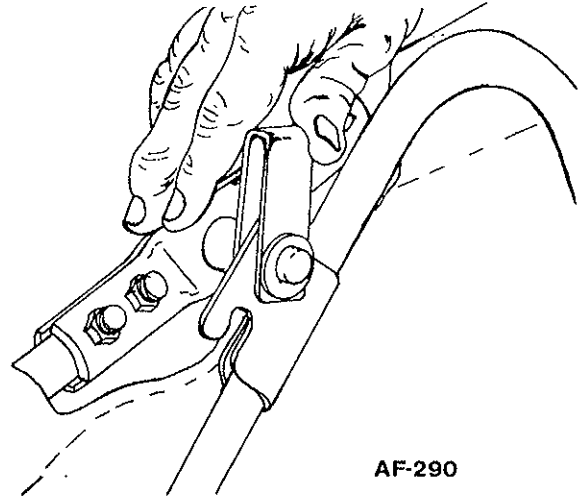
Part No. 78-88-B

ASSEMBLY INSTRUCTIONS

(Shows Head Assembly as removed from the carton.)

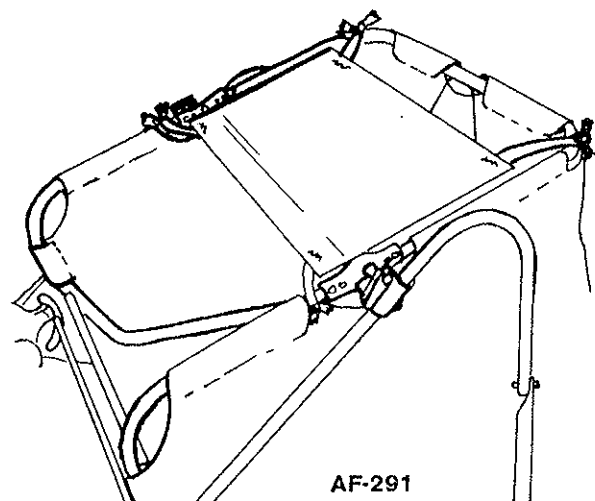
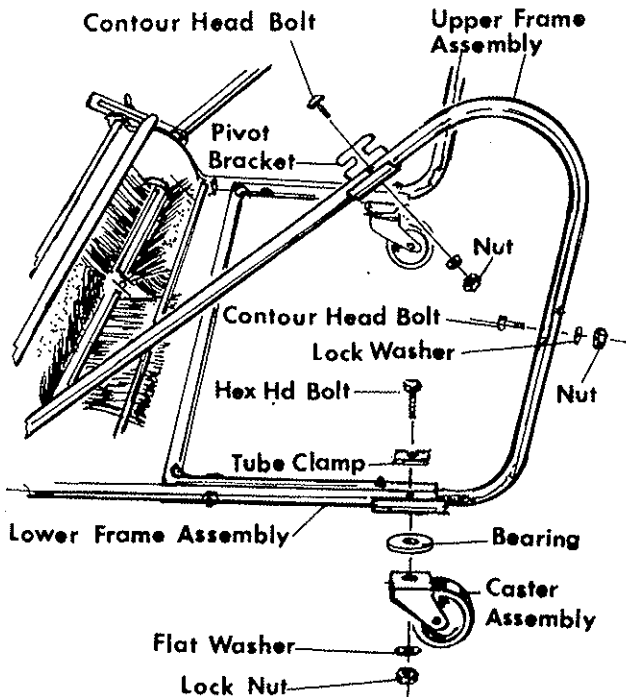


Hold the pivot latch in an up position, then place the pivot rod into the top slot of the pivot bracket. The pivot latch should straddle the bracket. When both sides are resting on the bracket, move the latch forward to lock into position.

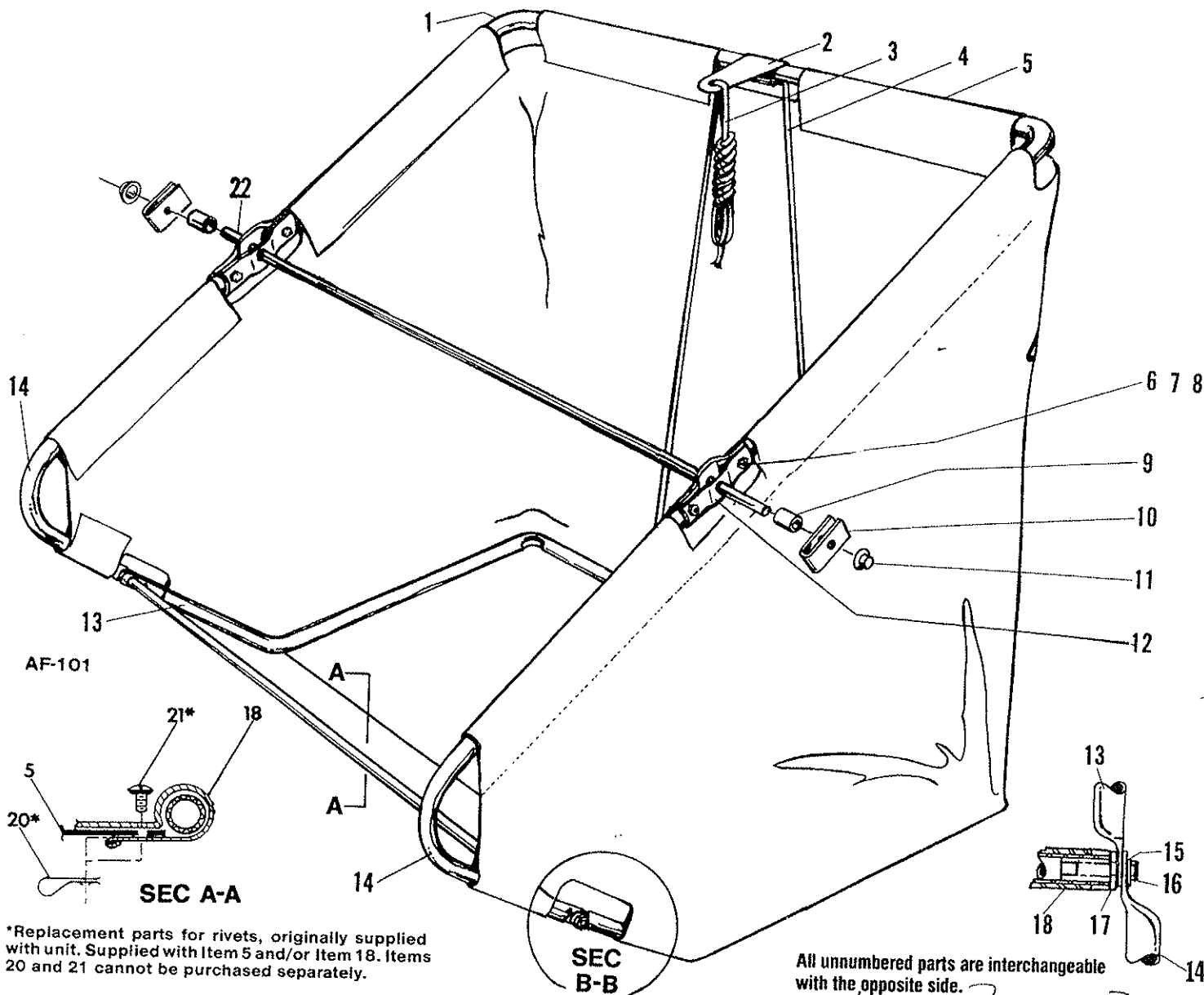


Raise the upper Frame Assembly and match the holes in the lower frame. Fasten with $\frac{1}{4}$ " contour head bolt, lock washer and nut. Do so to both sides. Attach a pivot bracket to each Upper Frame Assembly with a $\frac{1}{4}$ " contour head bolt, lock washer and nut. Be sure the bracket is assembled as shown in Figure 4. The slot for the basket pivot must be above and inside the frame; otherwise the basket will not fit properly.

The Wind Apron (AF-291) is furnished with the unit. This is used to keep the sweepings in the basket on windy days or when sweeping at a fast speed. The Wind Apron is stretched across the basket and tied on the frame as shown at the top corner and middle at the pivot bracket.



BASKET ASSEMBLY



*Replacement parts for rivets, originally supplied with unit. Supplied with Item 5 and/or Item 18. Items 20 and 21 cannot be purchased separately.

All unnumbered parts are interchangeable with the opposite side.
NOTE: WHEN REPLACING BASKET YOU WILL NEED TO SHORTEN BASKET SPRING.

PARTS LIST

REF. PART NO. NO.	QTY. PER UNIT	DESCRIPTION	REF. PART NO. NO.	QTY. PER UNIT	DESCRIPTION		
1	76-319-B	1	Rear Basket Frame	13	76-153-C	1	Lower Basket Frame
2	76-252-A	1	Rope Clip	14	76-295-B	2	Front Basket Frame
3	60-09-A	1	Rope	15	935-516	2	Spring Lock Washer 5/16
4	83-33-B	1	Basket Spring	16	76-269-A	2	Lag Bolt 5/16 x 1 1/2
5	SA-1178-C	1	Basket Sides and Bottom	17	76-270-A	2	Insert
6	69-416-20	4	Contour Hd. Bolt 1/4-20 x 1 1/4	18	SA-1103-B	1	Basket Clamp Replacement
7	936-416	4	Intl. Tooth 1/4 Lock Washer	*20		4	Speed Nut 1/4-20
8	335-416	4	Hexagon Nut 1/4-20	*21		4	Machine Screw 1/4-20 x 3/8
9	73-414-A	2	Spacer	22	76-294-A	1	Pivot Rod
10	76-242-A	2	Pivot Latch	23	80-291-B	1	Wind Apron (Not Shown)
11	76-254-A	2	End Cap				
12	79-112-B	2	Pivot Bracket				

OPERATING INSTRUCTIONS

SWEEPING TIPS

Use sweeper in early spring to give your lawn a healthful cleaning.

Use your sweeper before mowing to pick up stones, sticks and other debris. This could save damage to mower and prevent personal injury. Sweeping will also stand turf on end for a clean even mowing.

Use sweeper after mowing to remove turf clippings and give the lawn a blanket like effect.

Sweep often in fall as leaves are dropping. Do not wait until leaves are all off trees.

For best sweeping results keep lawn cut short. When sweeping turf clippings do not overload Basket. Turf clippings are heavy and over-loading Basket will put unnecessary stress on Basket.

CARE AND BRUSH REPLACEMENT

Should the bristles take a set from use, reverse the Brushes on the Reel Shaft. Never allow the Brush Bristles to remain in a bent position on any object for any length of time as they can take a set.

TO REMOVE BRUSHES

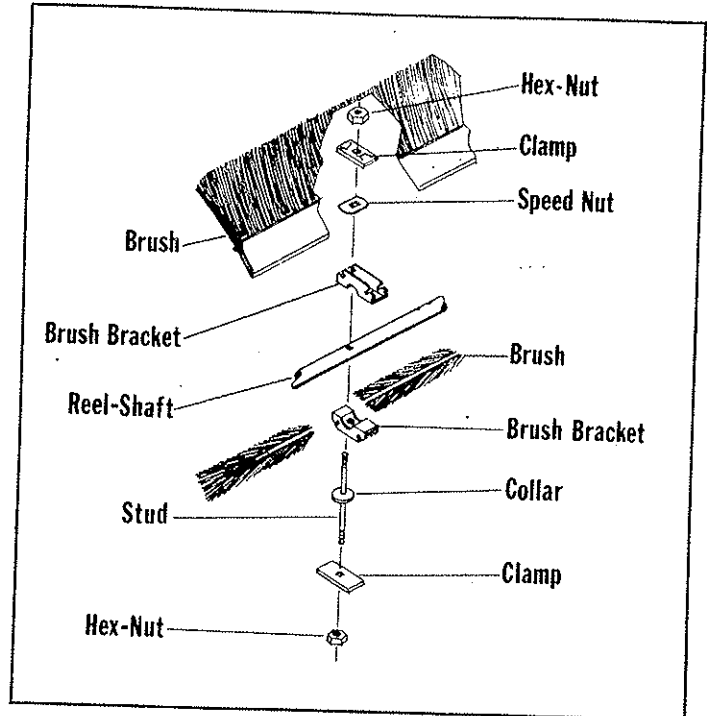
Turn the Sweeper upside down on the ground. Notice the Stud has a Collar against the Brush Bracket holding it against the Reel Shaft.

Remove the Hex Nuts, and Clamps from the Stud on the end having the Collar. Remove the Brushes from the Brush Bracket slots, (4 places). Now remove the Hex Nuts, and Clamps from the opposite end of the Studs. Do not remove the Speed Nuts or the Studs will fall away from the Reel Shaft (4 places).

BRUSH REPLACEMENT

Turn the Reel Shaft so you can position the Brush Strips in the slots on the Brush Bracket that are being held on the Stud and Shaft by the Speed Nut. Position the Clamps, and Hex Nuts, center the Brush Strips between the Side Plates, then tighten the Hex Nuts.

Turn the Reel Shaft so the Brushes are on the bottom side. Now place the Brush Strips in the slots on the Brush Brackets, on the top side, Position the Clamps, and Hex Nuts. Center the Brush Strips between the Side Plates, then tighten the Hex Nuts.

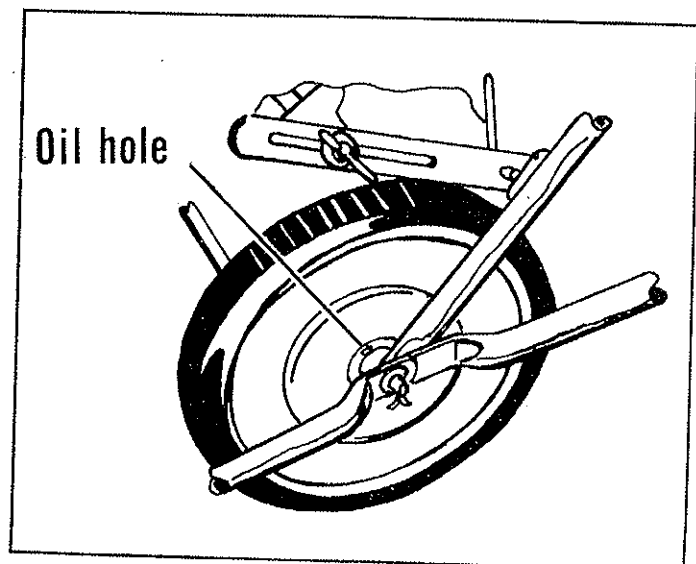


LUBRICATION

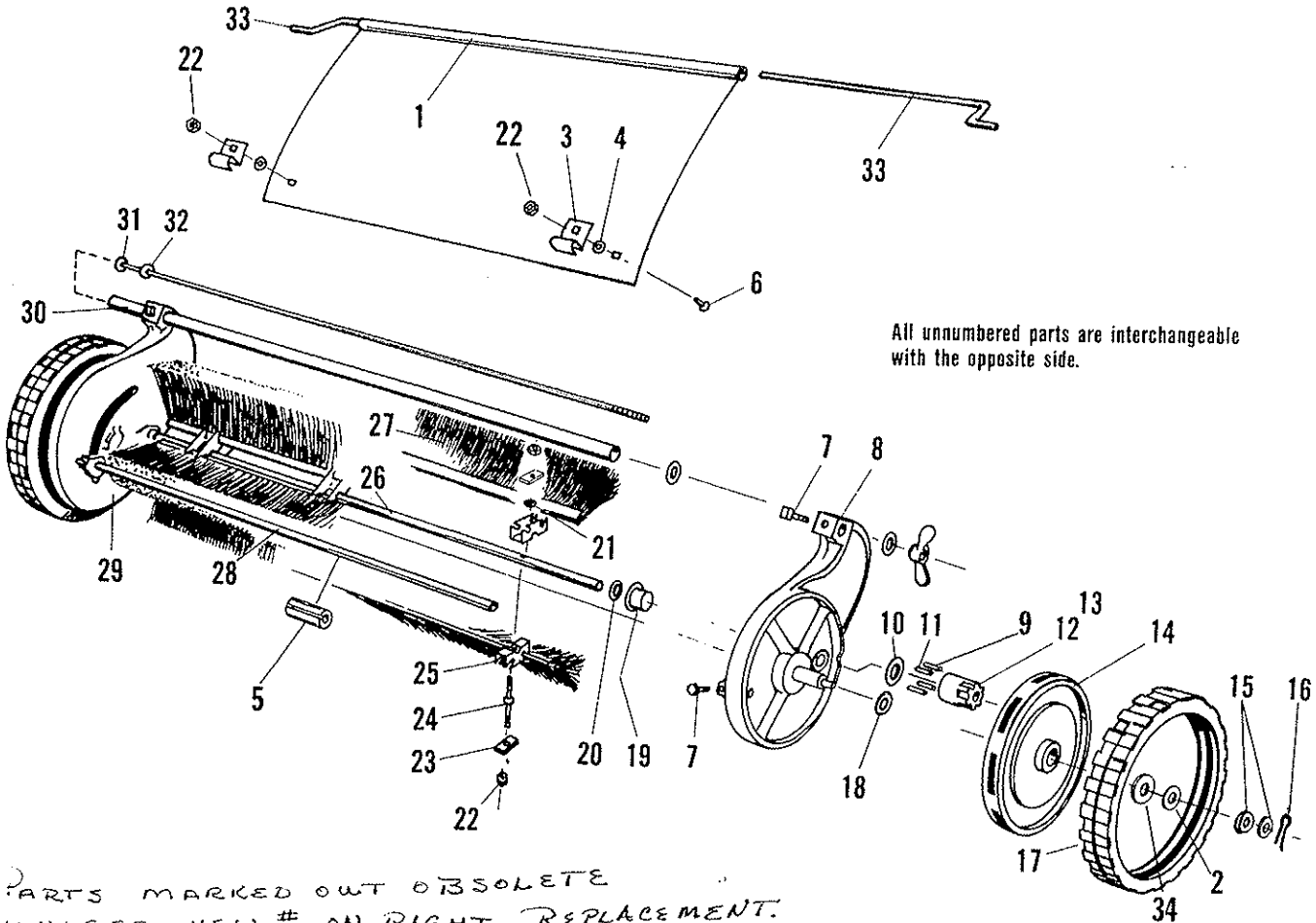
Frequent lubrication of the Sweeper will lengthen the service life.

Place a few drops of oil in the oil holes located in the Hub of each Wheel.

Also in the Swivel Bearings and Axle of the Casters every time the machine is used.



SWEEPER UNIT ASSEMBLY



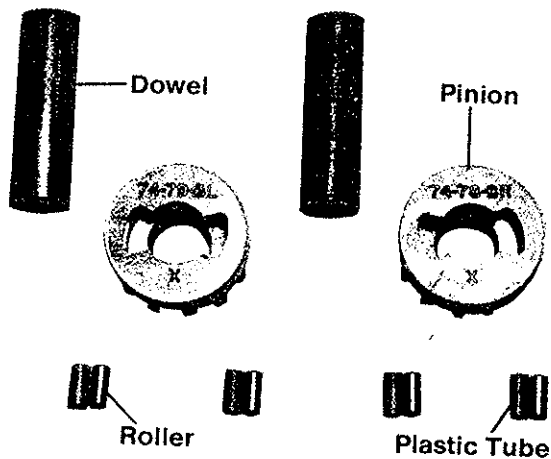
PARTS LIST

Ref. No.	Part No.	Qty. Per Unit	Description	USE	Ref. No.	Part No.	Qty. Per Unit	Description
1	79-54-C	1	Hood	86-69-D	18	946-1216-24	2	Fiber Washer
2	71-37-A	2	Special Washer		19	68-60-A	2	Ball Bearing
3	60-22-B	2	Hood Clamp		20	55-161-A	2	Special Washer
4	945-516	2	Plain Washer 5/16		21	75-89-A	4	Retainer
5	79-50-A	1	Hood Spacer		22	362-416	10	Hexagon Lock Nut 1/4-20
6	70-416-12	2	Carriage Bolt 1/4-20x3/4		23	69-04-A	8	Brush Clamp
7	560-C-516-10	4	Set Screw 5/16-18x5/8		24	74-16-A	4	Brush Stud
8	71-05-LD	1	Left Hand Side Plate		25	74-13-C	8	Brush Bracket
9	76-37-A *	4	Pawl Spring	SA-1601 ^{phg} ₂₆	26	77-137-B	1	Reel Shaft
10	50-33-A	2	Special Washer		27	1200-14.5-B	8	Brush Strip
11	74-80-A *	4	Pawl		28	62-04-A	1	Bottom Tie Rod
12	74-79-LB *	1	Left Hand Pinion		29	71-04-RD	1	Right Hand Side Plate
13	74-78-RB *	1	Right Hand Pinion		30	78-131-A	1	Adjusting Tube
14	49-377-C	2	Wheel		31	78-133-A	1	Adjusting Bolt
15	46-81-A	4	Special Washer		32	945-616	1	Plain Washer 3/8
16	380-764-16	2	Cotter Pin 1/8 x 1		33	78-132-A	2	Hood Control Rod
17	78-124-C	2	Tire		34	946-816-16	2	Fiber Washer
*	SA-1580-B	1	PINION KIT					

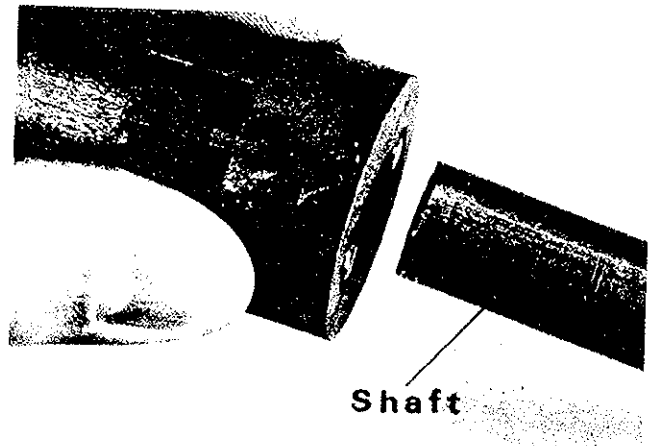
HOW TO RE-INSTALL PINIONS IN MANUAL OR TRAILING SWEEPERS

If for some reason you have found it necessary to remove the pinions, you should carefully follow these instructions. All parts must be clean before assembling.

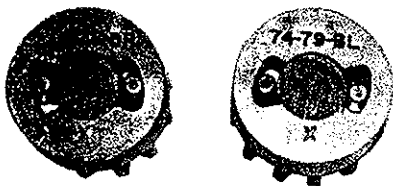
- (1) To assist you, we suggest using a piece of wood doweling or plastic material $\frac{5}{8}$ " diameter, 2" long as shown. Each pinion is different as indicated by the part number and must be returned to the correct side of the shaft.



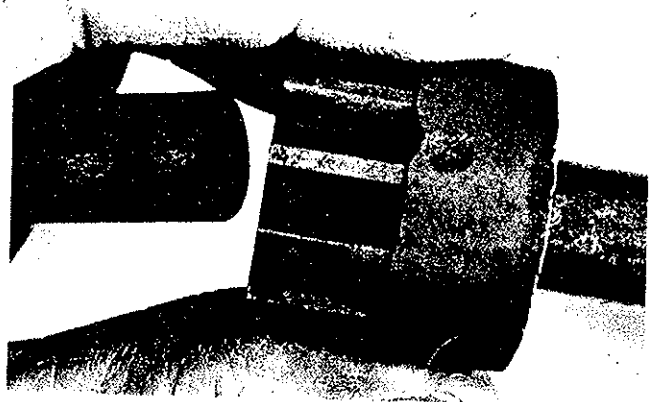
- (4) Pinion with part number **74-79 BL** is to be replaced on the **left side** of the shaft. Part number **74-79 BR** is for the **right side**. Line up the pinion (leaving the dowel in place) with the shaft as shown.



- (2) Insert the wooden dowel into the pinion.
- (3) Identify your pinion part number and insert the metal rollers. Place the plastic tubing in the cavity between the metal roller and the wall of the cavity. You may have to force the plastic tubing into this space but it is resilient and is supposed to fit tightly.



- (5) Push the pinion onto the shaft which will force the dowel to back out of the pinion. This will leave the rollers and plastic tubes in their proper position.



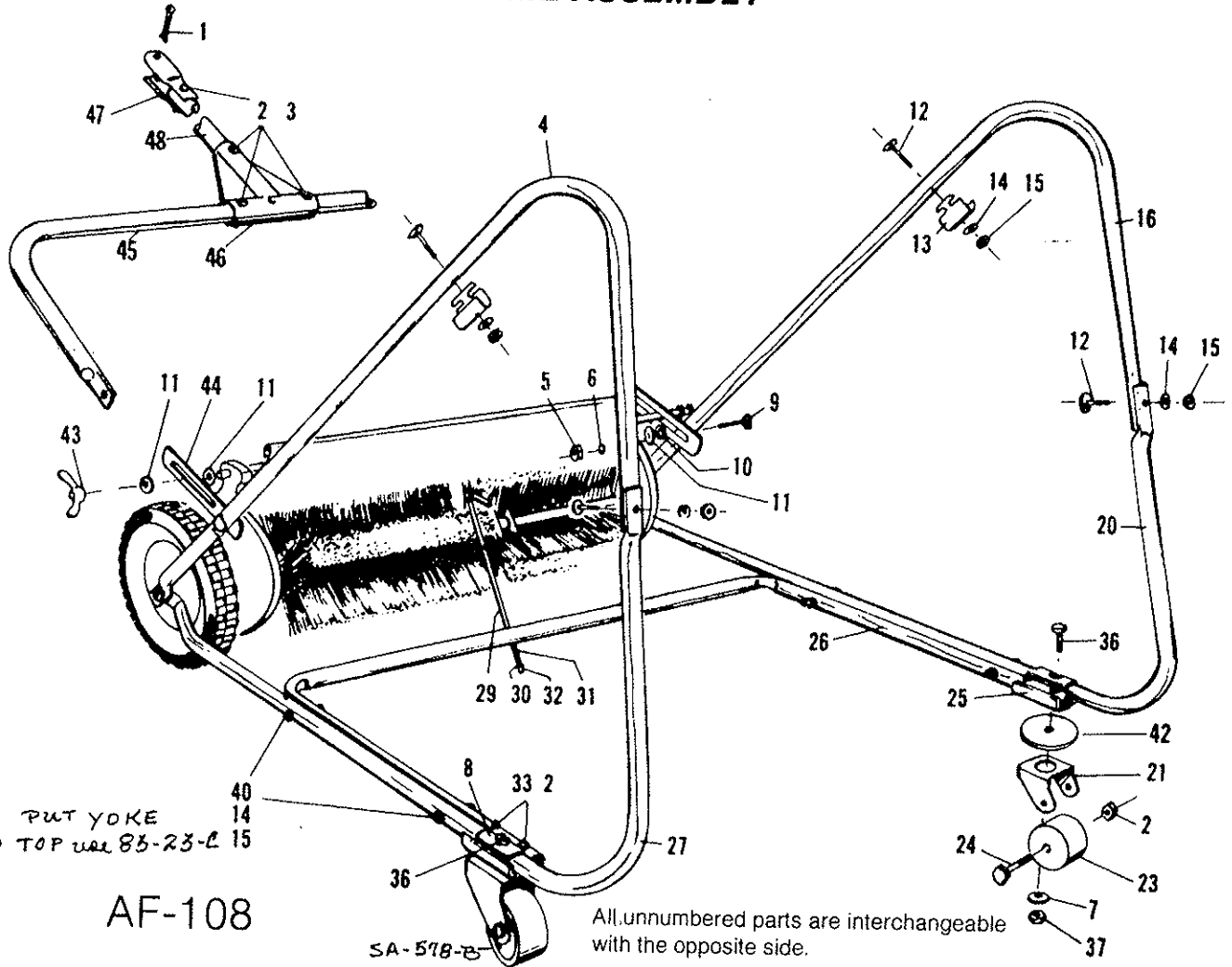
NOTE! The right and left side are determined from the operators position.

- (6) Apply a coating of grease on the outside of the wheel gear teeth. Do not grease inside pinion as this will cause pawl springs to be ineffective.

REPAIR PARTS

SECTION 4 MODEL NO. HS-7930

FRAME ASSEMBLY



NOTE: TO PUT YOKE ON TOP use 83-23-C

AF-108

SA-578-B

All unnumbered parts are interchangeable with the opposite side.

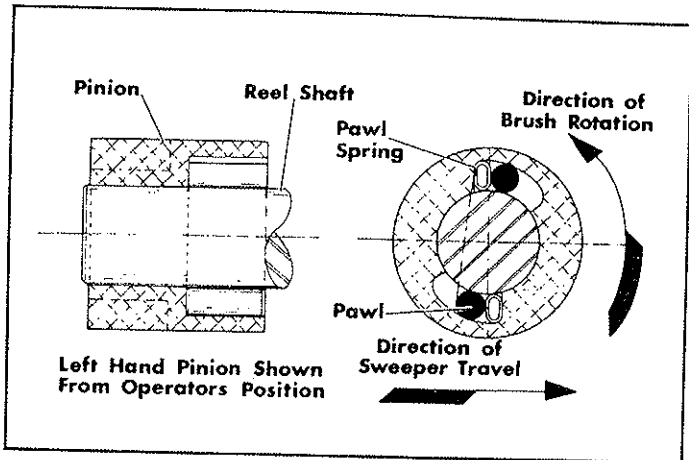
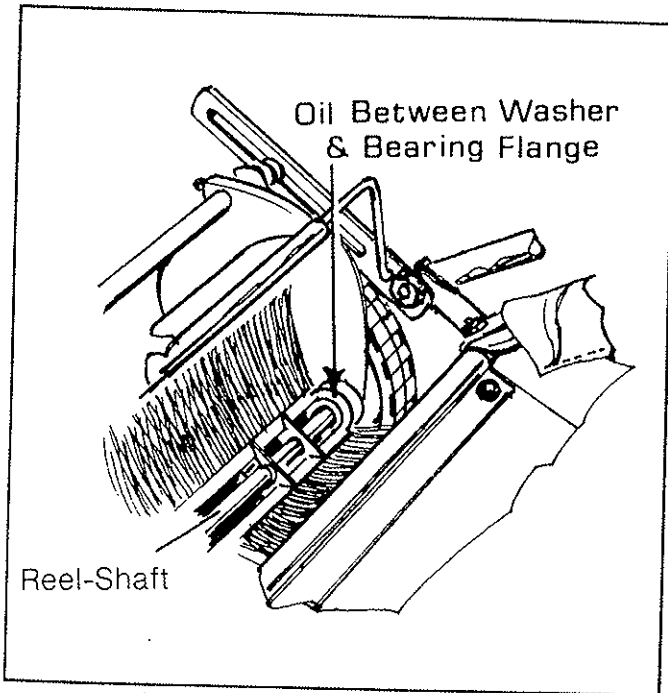
** Limited supply.

PARTS LIST

Ref. No.	Part No.	Qty. Per Unit	Description of Part	Ref. No.	Part No.	Qty. Per Unit	Description of Part
1	81-14-A	1	Clinch Pin	24	76-202-A	2	Axle
2	365-416	10	Hexagon Lock Nut 1/4-20	25	76-81-B	2	Caster Plate
3	65-416-24	4	Hexagon Hd. Bolt 1/4-20x1 1/2	26	76-307-B**	1	Frame Support
4	76-306-LC	1	Upper Frame Left Hand <i>SA-1457-C</i>	27	76-306-LC**	1	Lower Frame Left Hand
5	335-516	2	Hexagon Nut 5/16-18	29	76-255-A	1	Basket Stop
6	935-516	2	Spring Lock Washer 5/16	30	945-416	1	Plain Washer 1/4
7	50-230-A**	2	Special Washer <i>82-138-13-1</i>	31	76-271-A	1	Compression Spring
8	59-77-A	2	Tube Clamp	32	75-89-A	1	Retainer
9	69-516-24	2	Contour Hd. Bolt 5/16-18x1 1/2	33	65-416-20	4	Hexagon Hd. Bolt 1/4-20x1 1/4
10	54-227-A	2	Spacer	36	65-516-32	2	Hexagon Hd. Bolt 5/16-18x2
11	945-516	4	Plain Washer 5/16	37	365-516	2	Hexagon Lock Nut 5/16-18
12	69-416-20	4	Contour Hd. Bolt 1/4-20x1 1/4	40	69-416-28	4	Contour Hd. Bolt 1/4-20x1 1/4
13	76-240-A	2	Pivot Bracket	42	78-130-A	2	Bearing
14	935-416	8	Spring Lock Washer 1/4	43	73-71-A	1	Wing Nut 5/16-18
15	335-416	8	Hexagon Nut 1/4-20	44	60-21-A	2	Brush Adjusting Bracket
16	76-308-RC**	1	Upper Frame Right Hand	45	76-240-C	1	Yoke <i>83-23-C</i>
20	76-305-RC**	1	Lower Frame Right Hand	46	76-233-C	2	Tee Clamp
21	76-136-B	2	Fork Assembly	47	76-247-A	2	Clevis Lug
23	76-58-A	2	Roller	48	76-243-A	1	Tongue <i>82-103</i>

LUBRICATION

Figure 10 — Place a few drops of oil between the Washer and Bearing Flange on the Reel Shaft inside the Side-Plate (Both Sides). This should be done each time before the Sweeper is used.



STORAGE

Clean basket to remove clippings and debris.

Wipe dirt and grease from the chassis. Repaint scratched areas and coat metal parts with oil to prevent rust.

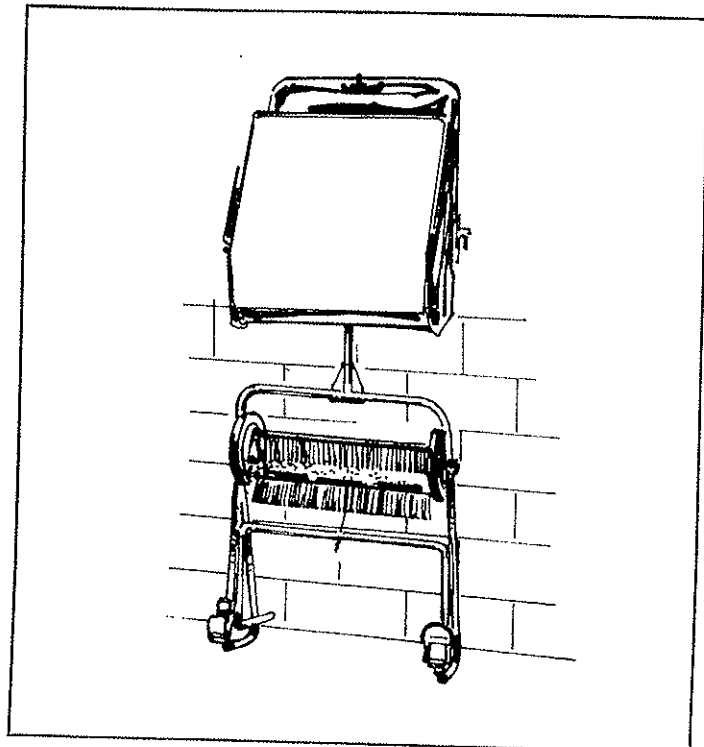
Store sweeper in a dry area out of direct sunlight.

Check sweeper parts for wear. Replace parts as necessary.

Remove the basket assembly from the sweeper, release the basket spring and fold as shown

Remove the bolts, washers and nuts holding the upper and lower side frames together, and fold as shown

shows the head assembly flat against a wall with the tongue tied to an anchor screw or nail in the wall. Tie a cord through the upper basket frame near the rope clip and hang it flat against the wall from an anchor screw or nail.



Before using the Sweeper the first time each season, remove both Wheels and put a good grade of grease on the Pinion Gear and the gear of the Wheel.

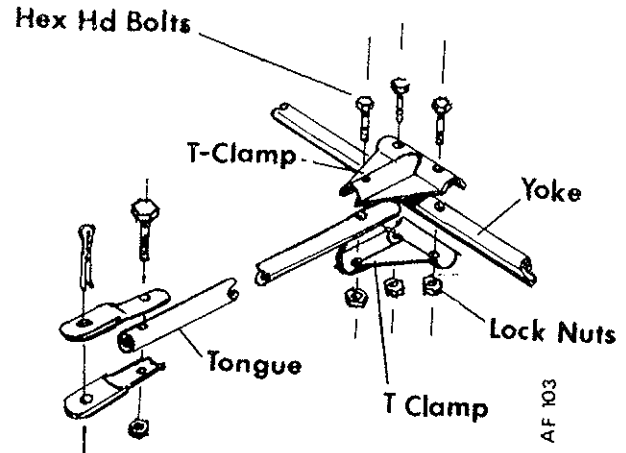
Never remove pinions unless they are suspect of breakage or excessive wear.

Be sure the Pawls and Pinion Gears are in place correctly before putting the Wheels back on. Both the Left and Right Pawl must be turning the same direction. When the Pawls are installed correctly, the top of the Reel Shaft will rotate toward the Basket when the Sweeper is pushed forward.

HITCH ASSEMBLY

HITCH ASSEMBLY

Attach the two (2) T-Clamps to the yoke and tongue, using three (3) 1/4" hexagon head bolts and nuts. Please note that two of these three bolts were used to hold the caster in position for shipping.



OPERATING INSTRUCTIONS

OPERATING SPEED

Moving the sweeper forward rotates the brushes, propelling the leaves, clippings, etc, into Basket.

Select a forward travel speed that provides efficient sweeping without throwing debris over back of Basket.

CAUTION

The Basket has been designed for holding large capacity of dry grass clippings. When grass clippings are wet or freshly cut, caution should be exercised on the amount picked up. The Basket could be overloaded and make dumping difficult.

DANGER: Do not hold dumping rope in hand while towing. Secure loose end to tractor behind operator.

CAUTION! This sweeper is not designed to haul people, animals or equipment. Severe damage to the sweeper and possible injury to people or animals may result if this warning is ignored.

DUMPING BASKET

The load is dumped by pulling Basket forward with rope, causing Basket to pivot into a semi-inverted position. When load is discharged, allow rope and Basket to return to its normal position.

BRUSH HEIGHT ADJUSTMENT

The most efficient operating height is when brushes just contact the top of the grass or make light contact with paved surfaces. When brushes are set too low, the sweeper will pull hard. This will lead to excessive brush wear and require premature brush replacement. Always have brushes in the raised position when transporting sweeper.

TO ADJUST BRUSHES

To raise Brushes to extreme height, loosen the large Wing Nut, pull Sweeping Unit forward as far as slots in Brush Adjustment Brackets will permit. To lower Brushes to lowest position, push Sweeping Unit backwards as far as slots will permit. Secure Wing Nut when desired brush adjustment is obtained.

For grass clippings or leaves, adjust Brushes to highest position. After trial run on lawn, should the setting be too high, lower slightly and try again until correct setting is found. Brush life may be prolonged by adjusting so contact with ground is light. The lighter the contact, the longer the wear and ease in pulling.

NOTE: If the Brushes do not rotate and the Wheels slide when the Sweeper is being pulled, the Brushes are set too low.

BASKET CARE

The Basket should always be emptied immediately after each time the Sweeper is used, especially if the grass or leaves are wet or damp. Allowing the Basket to keep dry will lengthen its service life.

HOOD CARE

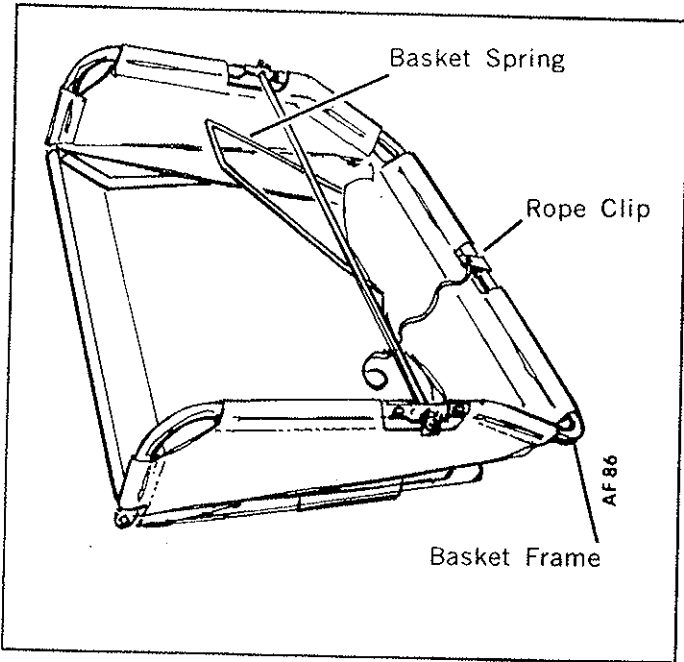
Wet grass clippings have a tendency to dry and adhere to the inner face of the Hood; it is important to keep this face clean for good sweeping action.

TOWING THE SWEEPER

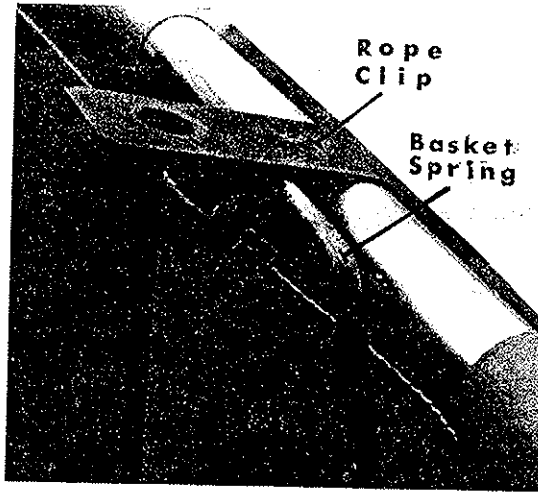
Trailing type sweepers should not be towed while mowing, as the mowing speed is generally too slow for the sweeper to pick up grass, leaves, or debris and throw them into the back of the basket.

ASSEMBLY INSTRUCTIONS

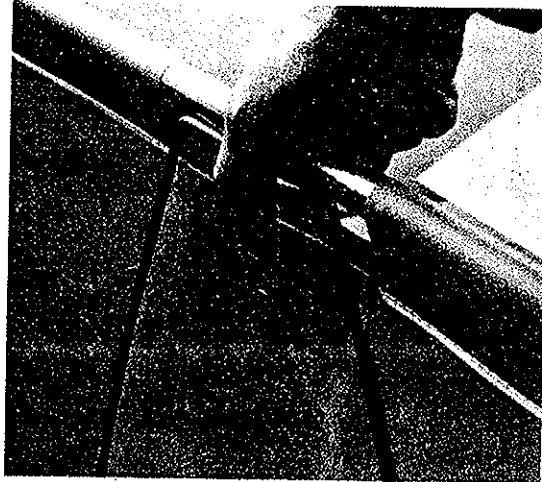
Shows the Basket Assembly as removed from the Carton.



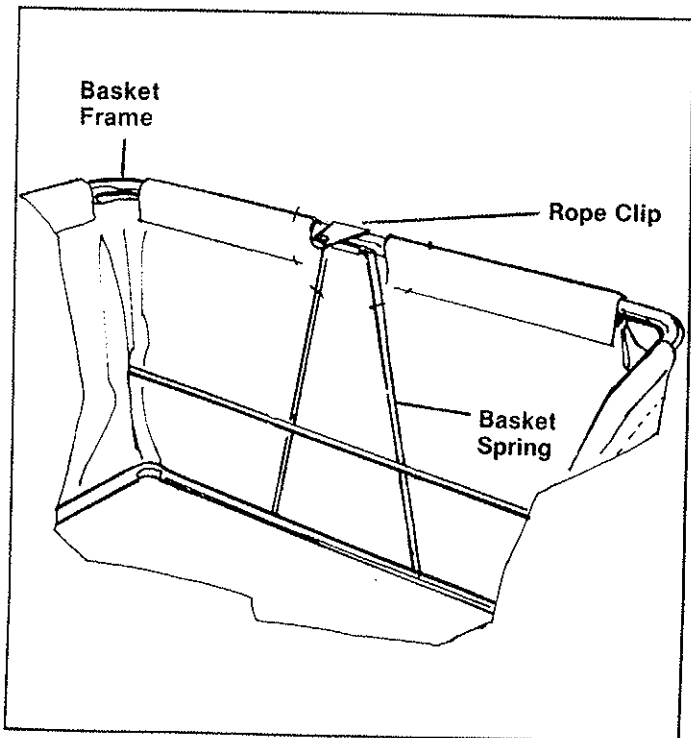
Place the Basket Spring under the Rope Clip as shown.



Push the Rope Clip down until the Basket Spring snaps into the notch on the under side of the Basket Frame as shown.



Raise the upper Basket Frame until the sides are taut.



Now turn the Rope Clip to the position as shown. The Basket is now ready to place into the Head Assembly.

