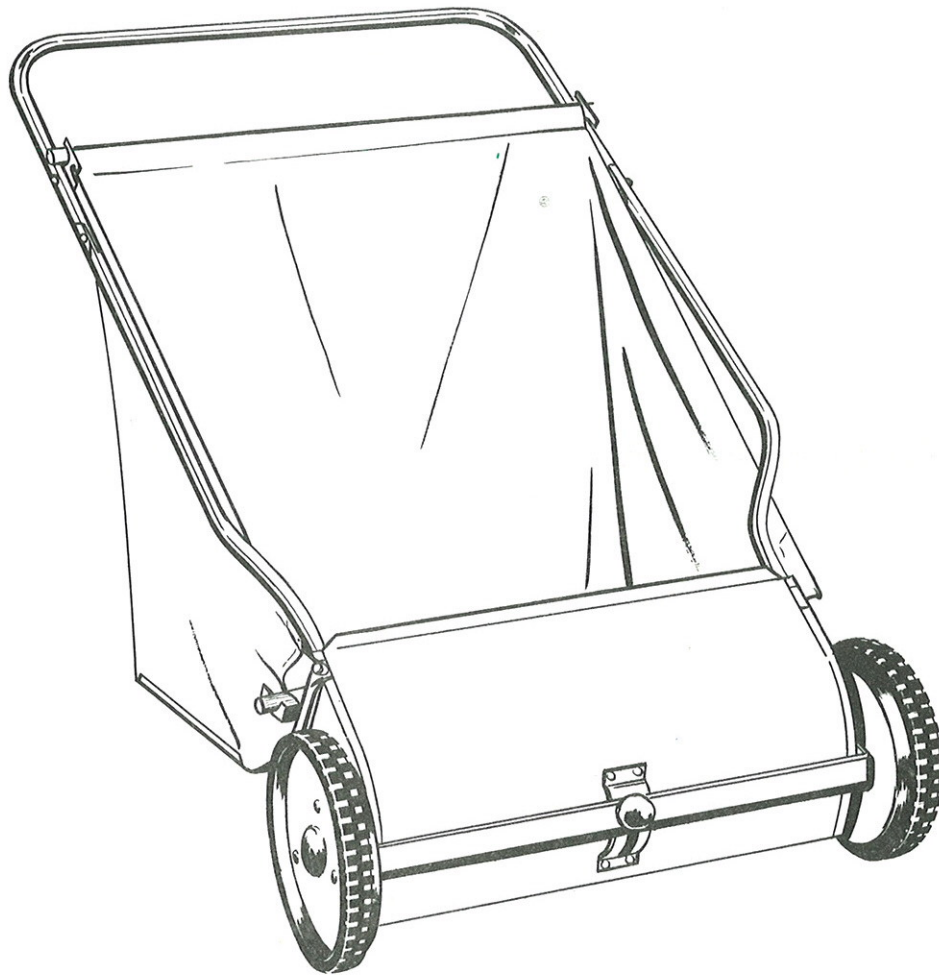


**OPERATING INSTRUCTIONS AND PARTS LIST
FOR**

LP-120-C

25" LAWN SWEEPER



NOTICE: These instructions were written to assist you in assembling your Lawn Sweeper quickly and correctly. Read instructions thoroughly before attempting assembly so that you are familiar with the complete procedure.

MIAMI INC.

Box 295

SPRINGFIELD, OHIO

DIVISION OF PARKER SWEEPER COMPANY

Printed in U.S.A.

ASSEMBLY INSTRUCTIONS

1. Place sweeper on ground in upright position.
2. Remove bolt from corner of hood (see exploded view). Pick up one of two lower handles and position UNDER corner of hood. Replace hardware as it was before.
3. Repeat instruction 2 for other lower handle.
4. Pick up upper handle and assemble onto lower handles (to be done correctly, the metal stamping on each side of upper handle must point up).
5. Place basket into position (metal piece is bottom).

OPERATING INSTRUCTIONS

Brush Height Adjustment. Loosen adjusting knob, Ref. No. 28. To raise brushes to extreme height, push down on frame assembly, Ref. No. 15, as far as possible. To lower brushes to lowest position, lift up on frame assembly as far as possible. Secure knob when desired adjustment is obtained. When adjusting brushes, the hood assembly will automatically be set in the correct position.

1. For grass clippings or leaves adjust brushes to highest position. After trial run on lawn, should the setting be too high, lower slightly and try again until correct setting is found. Brush life may be prolonged by adjusting so contact with ground is light. The lighter the contact, the longer the wear and easier to push.
2. For patio, sidewalk, and driveway sweeping, adjust brushes so they just contact ground.

NOTE: IF SWEEPER PUSHES HARD, THE HOOD IS SET TOO LOW.

Maintenance. Lubricate the sweeper about once each season to insure long unit life and easy operation.

1. Oil the wheel gear and pinion through oil hole on each side of wheel hub.
2. It is not necessary to oil nylon brush bearings.

Canvas Basket Care. The basket should always be emptied immediately of wet clippings or leaves. Not doing so will cause it to mildew. Always store the sweeper in a dry place.

Care and Replacement of Brushes. The brushes used on this sweeper are made of the finest bristles that will give years of service if given proper care. Should they become bent from constant use, dampening and straightening will reset the bristles upright. It is also possible to straighten bristles by reversing the brushes on reel shaft.

To Reverse or Replace Brushes:

1. Turn the sweeper upside down on the ground.
2. Remove the bolts which hold the brush sections to the reel shaft. Reverse and replace the brushes and retighten the bolts.

Storage. Hang sweeper on the wall by the upper handle for storage.

ALWAYS GIVE THE FOLLOWING INFORMATION WHEN ORDERING REPAIR PARTS

If you are unable to obtain parts locally, write to the factory for name of nearest service dealer.

Order all parts from your nearest dealer.

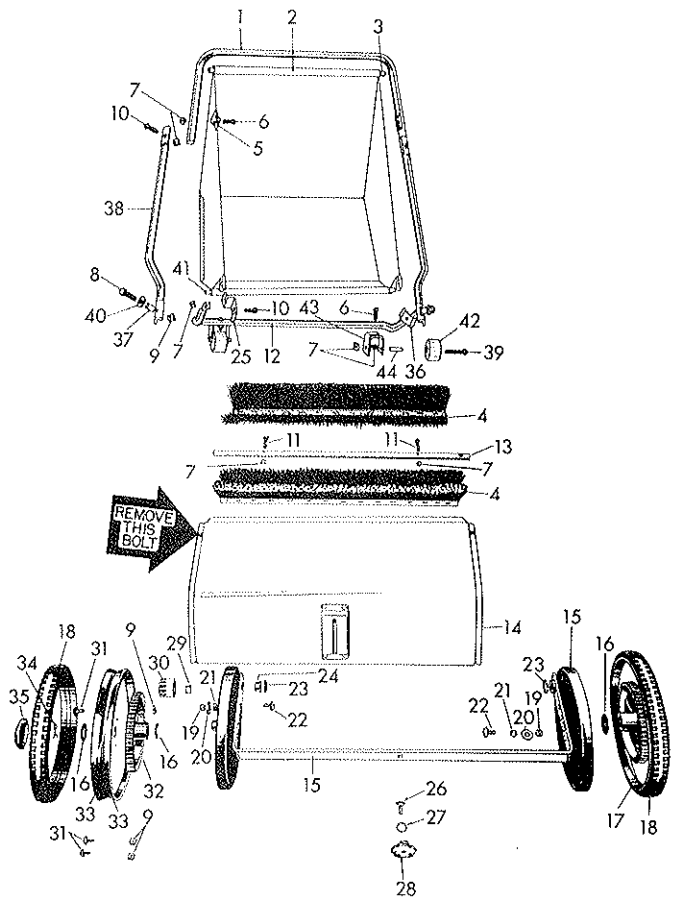
1. Part Number and Quantity.
2. Model Number (found on Hood).

Your unit is right hand (R.H.) or left hand (L.H.) as you stand behind it.

* Standard hardware items may be purchased locally.

PARTS LIST

Ref. No.	Part No.	Qty. Per Unit	Description
1	63-254-C	1	Upper Handle
2	63-257-D	1	Basket Assembly
3	60-52-B	1	Wood Dowel
4	52-141-B	2	Brush
5	62-84-B	2	Bracket — Upper Basket
6	*515-416-16	4	Screw — Rd. Hd. $\frac{1}{4}$ -20 x 1
7	355-416-1	12	Stamped Nut — Sq. $\frac{1}{4}$ -20
8	*65-416-24	2	Hex Hd. Bolt $\frac{1}{4}$ -20 x $1\frac{1}{2}$
9	*355-416	8	Sq. Nut $\frac{1}{4}$ -20
10	*515-416-20	4	Screw — Rd. Hd. $\frac{1}{4}$ -20 x $1\frac{1}{2}$
11	*515-416-24	2	Screw — Rd. Hd. $\frac{1}{4}$ -20 x $1\frac{1}{2}$
12	63-255-D	1	Support — Handle
13	52-140-B	1	Reel Shaft
14	63-258-D	1	Hood
15	59-43-D	1	Frame
16	946-1316-20	4	Fiber Washer $\frac{13}{16}$ x $1\frac{1}{4}$
17	59-44-C	2	Wheel — Complete
18	47-438-C	2	Tire
19	*335-516	2	Hex Nut $\frac{5}{16}$ -18
20	*945-516	2	Flat Washer $\frac{5}{16}$
21	59-29-A	2	Spacer
22	59-55-A	2	Truss Hd. Screw
23	55-161-A	2	Special Washer
24	60-12-A	2	Bearing
25	62-99-RB	1	Lower Basket Bracket — R.H.
26	*70-516-12	1	Carriage Bolt $\frac{5}{16}$ -18 x $\frac{3}{4}$
27	*936-716	1	Lock Washer — Thin $\frac{5}{16}$
28	59-47-B	1	Adjusting Knob
29	45-25-A	2	Pinion Pawl
30	56-18-RC	1	Pinion — R.H. (shown)
31	56-19-LC	1	Pinion — L.H. (not shown)
32	59-54-A	6	Phillips Truss Hd. Screw
33	59-26-B	2	Wheel Gear
34	59-20-C	4	Wheel Rim
35	*380-332-16	2	Cotter Pin $\frac{3}{32}$ x 1
36	59-46-A	2	Hub Cap
37	62-100-LB	1	Lower Basket Bracket — L.H.
38	63-219-A	2	Spacer
39	59-30-C	2	Lower Handle
40	*515-416-32	2	Screw — Rd. Hd. $\frac{1}{4}$ -20 x 2
41	*945-416	2	Flat Washer $\frac{1}{4}$
42	62-104-A	1	Wood Dowel
43	62-75-A	2	Wood Roller
44	62-77-B	2	Roller Bracket
45	62-76-A	2	Spacer



MIAMI INC.

Box 295

SPRINGFIELD, OHIO

