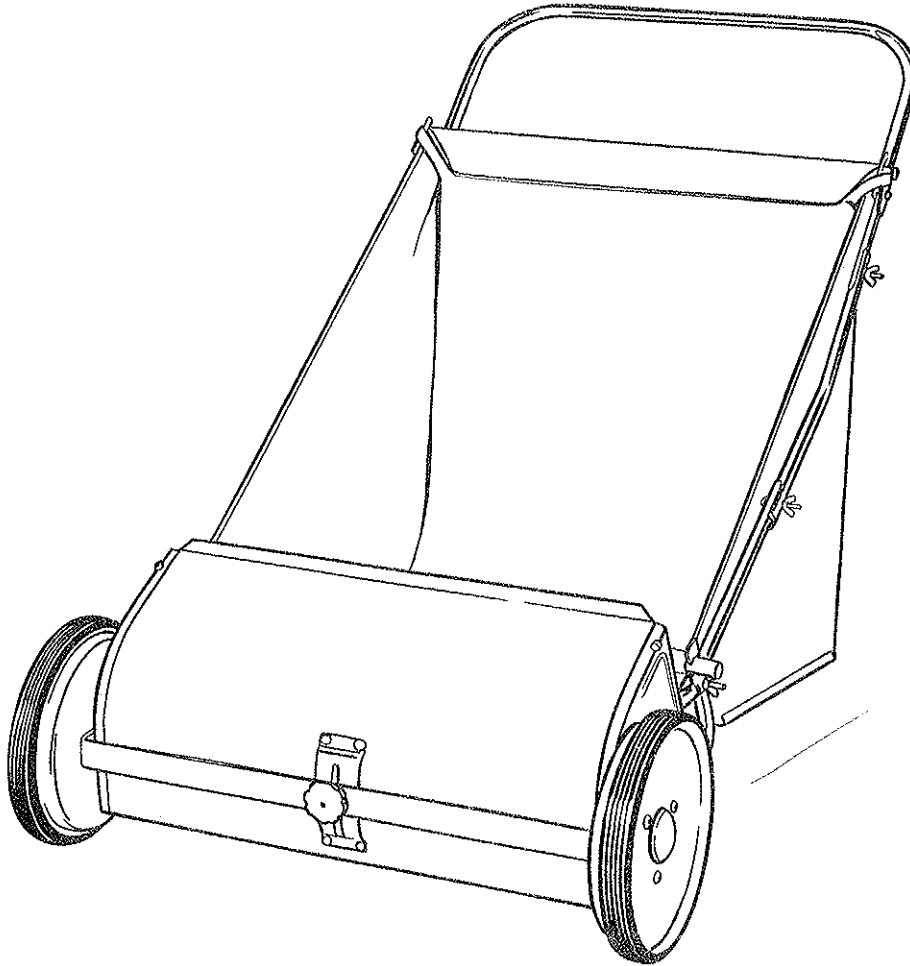


OPERATING INSTRUCTIONS AND PARTS LIST  
FOR  
**AMC**  
**LP-120A w/BAILER**  
25" LAWN SWEEPER



**NOTICE:** These instructions were written to assist you in assembling your Lawn Sweeper quickly and correctly. Read instructions thoroughly before attempting assembly so that you are familiar with the complete procedure.

**MIAMI INC.**

Box 295

SPRINGFIELD, OHIO

DIVISION OF PARKER SWEEPER COMPANY

## ASSEMBLY INSTRUCTIONS

1. Remove sweeper parts from carton and lay handle assembly out flat on floor, being sure upper basket brackets, Ref. No. 5, are pointed upward and support handle, Ref. No. 12, is pointed downward in a vertical position. Tighten two wing nuts, Ref. No. 42, which hold support handle.

2. Remove round head screw and stamped square nut, Ref. Nos. 8 and 7, from flattened end of lower handles, Ref. No. 38, and install lower handles to inside of hood, Ref. No. 14, being sure to insert flattened end of handles in slots in hood. With square

nuts to inside replace hardware and tighten.

3. Align center handles, Ref. No. 39, into position and tighten two wing nuts. Do the same for the upper handle, Ref. No. 1.

4. With metal basket bottom parallel with ground, place basket, Ref. No. 2, into position as shown on front cover.

5. Hook loops at one end of bailing canvas, Ref. No. 43, over upper basket brackets, Ref. No. 5, and drape canvas down and across metal basket bottom.

## OPERATING INSTRUCTIONS

**Brush Height Adjustment.** Loosen adjusting knob, Ref. No. 28. To raise brushes to extreme height, push down on frame assembly, Ref. No. 15, as far as possible. To lower brushes to lowest position, lift up on frame assembly as far as possible. Secure knob when desired adjustment is obtained. When adjusting brushes, the hood assembly will automatically be set in the correct position.

1. For grass clippings or leaves adjust brushes to highest position. After trial run on lawn, should the setting be too high, lower slightly and try again until correct setting is found. Brush life may be prolonged by adjusting so contact with ground is light. The lighter the contact, the longer the wear and easier to push.

2. For patio, sidewalk, and driveway sweeping, adjust brushes so they just contact ground.

**NOTE: IF SWEEPER PUSHES HARD, THE BRUSHES OR HOOD ARE SET TOO LOW.**

**Operation.** To use bailing canvas, refer to assembly instruction No. 5. When basket is full, hook loops at lower end of bailing canvas over upper basket brackets as shown in Fig. "A," and continue sweeping until main basket is full.

**Maintenance.** Lubricate the sweeper about once each season to insure long unit life and easy operation.

1. Oil the wheel gear and pinion through oil hole on each side of wheel hub.

2. It is not necessary to oil nylon brush bearings.

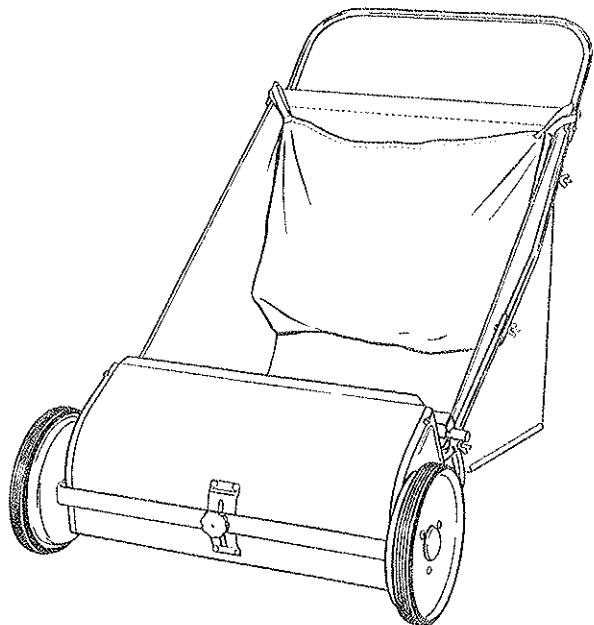
**Canvas Basket Care.** The basket should always be emptied immediately of wet clippings or leaves. Not doing so will cause it to mildew. Always store the sweeper in a dry place.

**Care and Replacement of Brushes.** The brushes used on this sweeper are made of the finest bristles that will give years of service if given proper care. Should they become bent from constant use, dampening and straightening will reset the bristles upright. It is also possible to straighten bristles by reversing the brushes on reel shaft.

**To Reverse or Replace Brushes:**

1. Turn the sweeper upside down on the ground.
2. Remove the bolts which hold the brush sections to the reel shaft. Reverse and replace the brushes and retighten the bolts.

**Storage.** Hang sweeper on the wall by the upper handle for storage.



(Fig. "A")

## ALWAYS GIVE THE FOLLOWING INFORMATION WHEN ORDERING REPAIR PARTS

Order all parts from your nearest dealer.

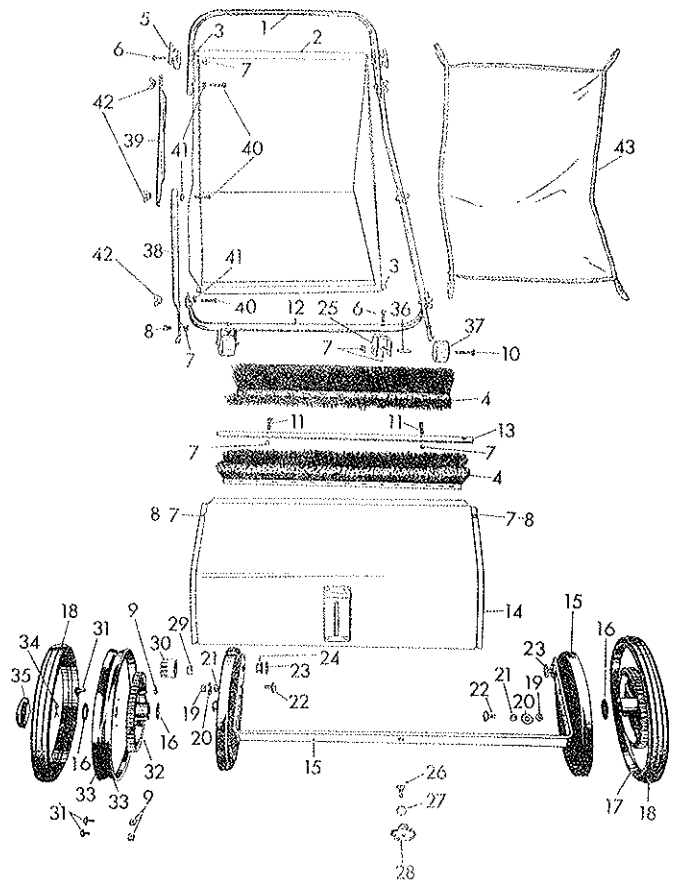
1. Part Number and Quantity.
2. Model Number (found on Hood).

Your unit is right hand (R.H.) or left hand (L.H.) as you stand behind it.

\* Standard hardware items may be purchased locally.

### PARTS LIST

Ref. No.	Part No.	Description	No. Req'd
1	62-275-C	Upper Handle	1
2	63-60-D	Basket Assembly	1
3	60-106-A	Dowel — Basket	2
4	52-141-B	Brush Strip Assembly	2
5	62-84-B	Bracket — Upper Basket	2
6	*515-416-16	Screw — Round Head ¼-20 x 1	4
7	355-416-1	Stamped Square Nut ¼-20	12
8	*515-416-6	Screw — Round Head ¼-20 x ¾	4
9	*355-416	Nut — Square ¼-20	6
10	*515-416-32	Screw — Round Head ¼-20 x 2	2
11	*515-416-24	Screw — Round Head ¼-20 x 1½	2
12	62-276-D	Support — Handle	1
13	52-140-B	Reel Shaft	1
14	63-61-D	Hood Assembly	1
15	59-43-D	Frame Assembly	1
16	946-1316-20	Washer — Fiber	4
17	59-44-C	Wheel Assembly	2
18	54-197-B	Tire	2
19	*335-516	Nut — Hex ⅝-18	2
20	*945-516	S.A.E. Flat Washer ⅝	2
21	59-29-A	Spacer	2
22	59-55-A	Screw — Truss Head — Sems	2
23	55-161-A	Washer — Special	2
24	60-12-A	Bearing — Nylon	2
25	62-77-B	Bracket — Wood Roller	2
26	*70-516-12	Bolt — Carriage ⅝-18 x ¾	1
27	936-716	Lock Washer — Internal Tooth — Thin ⅝	1
28	59-47-B	Knob — Adjusting	1
29	45-25-A	Pawl	2
30	56-18-RC	Pinion — Right Hand (shown)	1
31	56-19-LC	Pinion — Left Hand	1
32	59-54-A	Screw — Truss Head Phillips — Sems	6
33	59-26-B	Gear — Wheel	2
34	59-20-C	Rim — Wheel	4
35	*380-332-16	Cotter Pin ⅜ x 1	2
36	59-46-A	Hub Cap	2
37	62-76-A	Spacer — Wood Roller	2
38	62-75-A	Roller — Wood	2
39	62-273-C	Handle — Lower	2
40	62-274-C	Handle — Center	2
41	*515-416-28	Screw — Round Head ¼-20 x 1¾	6
42	*936-416	Lock Washer — Internal Tooth ⅝	6
43	*351-416-18	Wing Nut ¼	6
44	63-63-D	Bailing Canvas	1



## MIAMI INC.

Box 295

SPRINGFIELD, OHIO

