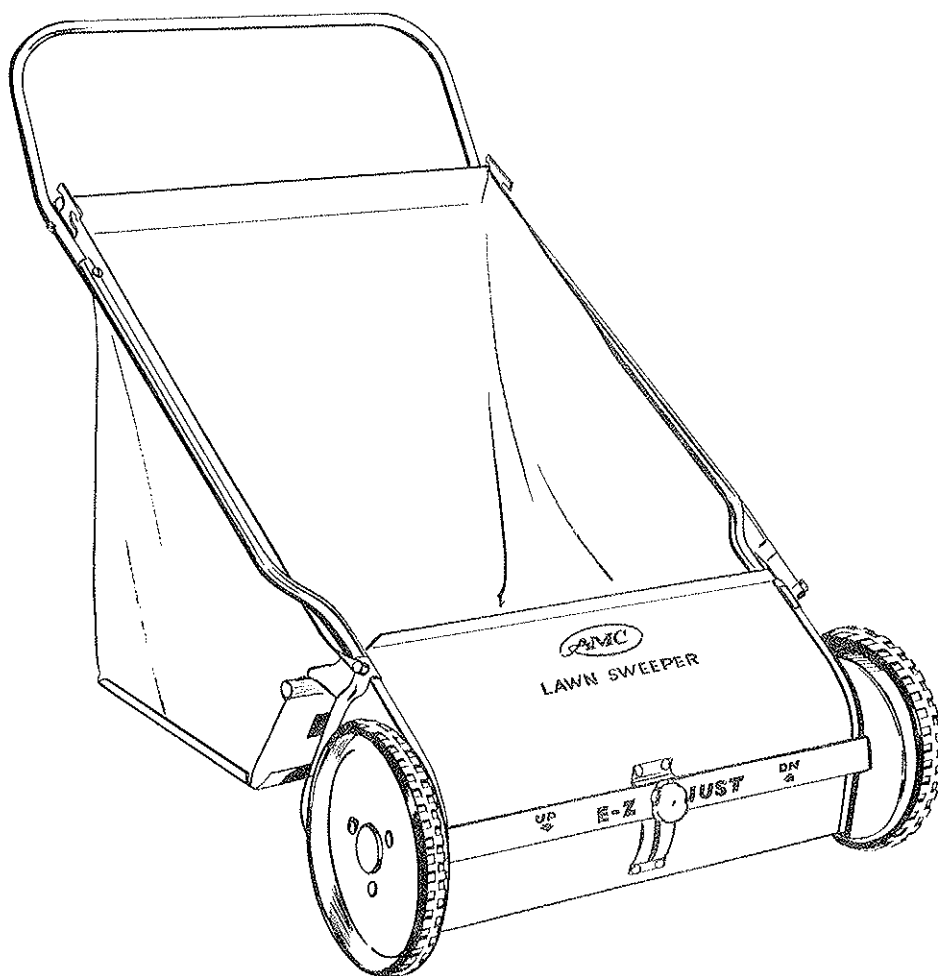


OPERATING INSTRUCTIONS AND PARTS LIST
FOR
AMC
LP-120B
25" LAWN SWEEPER



NOTICE: These instructions were written to assist you in assembling your Lawn Sweeper quickly and correctly. Read instructions thoroughly before attempting assembly so that you are familiar with the complete procedure.

MIAMI INC.

Box 295

SPRINGFIELD, OHIO

DIVISION OF PARKER SWEEPER COMPANY

ASSEMBLY INSTRUCTIONS

1. Place sweeper on ground in upright position.
2. Remove nut, bolt, and spacer from No. 1 hole, and position corresponding lower handle at this hole under hood. Replace nut, bolt, and spacer as before and tighten.
3. Repeat instruction No. 2 for No. 2 hole.
4. Assemble upper handle to both lower handles so that bend in handle is up. If handle is too high, reassemble with bend down and turn upper basket brackets over.
5. With metal bottom of basket level with ground, place basket into position as shown on front cover.

OPERATING INSTRUCTIONS

Brush Height Adjustment. Loosen adjusting knob, Ref. No. 28. To raise brushes to extreme height, push down on frame assembly, Ref. No. 15, as far as possible. To lower brushes to lowest position, lift up on frame assembly as far as possible. Secure knob when desired adjustment is obtained. When adjusting brushes, the hood assembly will automatically be set in the correct position.

1. For grass clippings or leaves adjust brushes to highest position. After trial run on lawn, should the setting be too high, lower slightly and try again until correct setting is found. Brush life may be prolonged by adjusting so contact with ground is light. The lighter the contact, the longer the wear and easier to push.
2. For patio, sidewalk, and driveway sweeping, adjust brushes so they just contact ground.

NOTE: IF SWEEPER PUSHES HARD, THE HOOD IS SET TOO LOW.

Operation. To use bailing canvas, refer to assembly instruction No. 5. When basket is full, hook loops at lower end of bailing canvas over upper basket brackets as shown in Fig. "A," and continue sweeping until main basket is full.

Maintenance. Lubricate the sweeper about once each season to insure long unit life and easy operation.

1. Oil the wheel gear and pinion through oil hole on each side of wheel hub.
2. It is not necessary to oil nylon brush bearings.

Canvas Basket Care. The basket should always be emptied immediately of wet clippings or leaves. Not doing so will cause it to mildew. Always store the sweeper in a dry place.

Care and Replacement of Brushes. The brushes used on this sweeper are made of the finest bristles that will give years of service if given proper care. Should they become bent from constant use, dampening and straightening will reset the bristles upright. It is also possible to straighten bristles by reversing the brushes on reel shaft.

To Reverse or Replace Brushes:

1. Turn the sweeper upside down on the ground.
2. Remove the bolts which hold the brush sections to the reel shaft. Reverse and replace the brushes and retighten the bolts.

Storage. Hang sweeper on the wall by the upper handle for storage.

