

Model:
PV0110BSPH
PV0285KSPH
PV9308HSPH
PV9908KLSPH

Vac-35 Hydrostatic Drive

OPERATION

SERVICE

PARTS

CARE



TABLE OF CONTENTS

Table of contents	2
Declaration of conformity	3
General Safety Instructions	4 & 5
Warning Decal Replacement	6
Operating Instructions	7 & 8
Assembly Instructions	9
Safety Interlock	10
Accessories	11
Upper Handle Assembly	12
Upper Control Assembly	13 & 14
Traction Drive Assembly	15 & 16
Housing Assembly	17 & 18
Turf Wheel Kit	19 & 20
Honda 8 Hp	21
Kawasaki LP 8 Hp	22 & 23
Kohler 8.5 Hp	24
Briggs & Stratton 10 Hp	25
Limited Warranty	26



DECLARATION OF CONFORMITY

Manufacturers Name:

Parker Company Inc.

Manufacturers Address:



3700 East Anne Street
Phoenix, AZ 85040 USA

Equipment Description:

Vac 35 Self Propelled

Equipment Model Designation:

PV0110BSPH, PV9308HSPH
PV0285KSPH, PV9908KLPSPH

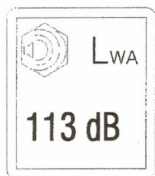
Application of Council Directives:
EN12100-2, EN55012

EN50366, 2000/14/EC, EN12100-1

Additional Standards: ISO5349-1, ISO5349-2

Sound

Vibration



25.8m/s²

I, the undersigned, hereby declare that the equipment specified above conforms to the above Directive(s) and Standard(s).

Signature:

Joseph Bongiovi

Date: 04/07/2009

Printed Name:
Title:

Joseph Bongiovi
Director Technical Services

IMPORTANT SAFETY INSTRUCTIONS READ ALL INSTRUCTIONS BEFORE USING

WARNING

- To prevent personal injury or property damage, do not attempt to start engine until all assembly steps are complete and you have read and understand the safety and operating instructions in this manual.
- Under California law, and under laws of several other states, you are not permitted to operation internal combustion's engine using hydrocarbon fuels on any forest covered, brush covered, or grass covered land, or on land with grain, hay, or other flammable agricultural crop, without an engine spark arrester in continuous effective working order. The engine on your power equipment, like most outdoor power equipment, is an internal combustion engine that burns gasoline, a hydrocarbon fuel. Therefore, your power equipment must be equipped with a spark arrester muffler in continuous effective working order. The spark arrester must be attached to the engine exhaust system in such a manner that flames or heat from the system will not ignite flammable material. Failure of the owner/operator of the equipment to comply with this regulation is a misdemeanor under California law, and may also be a violation of other state and/or federal regulations, laws, ordinances, or codes. Contact your local fire marshal or forest service for specific information about what regulations apply in your area.
- Wear approved safety glasses when operating this equipment. The operation of any powered machine can result in foreign objects being thrown by high-speed rotating parts.
- Wear work gloves, sturdy footwear, and hearing protection when operating this equipment.
- Remove hearing protection and watch for traffic when operating near, or when crossing roadways.
- Before inspecting or servicing any part of equipment, shut off engine, disconnect spark plug wire from spark plug, and make sure that all moving parts have come to a complete stop. Be aware that rotating blades slow down gradually after engine is shut off.
- Exercise extreme caution on slopes and avoid excessively steep slopes.
- Never leave equipment unattended when engine is running. Shut off engine and disconnect spark plug wire from spark plug before leaving equipment. Turn off fuel shut-off if equipped.
- Do not vacuum any burning or smoldering materials such as cigars, cigarettes, ashes, or cinders.
- Do not vacuum areas that have been recently treated with fertilizers, pesticides, or herbicides. Follow chemical manufacturer's safety instructions regarding contact with treated areas.
- Do not vacuum flammable liquids such as gasoline, kerosene, diesel fuel, paint thinner, etc.
- Do not vacuum any airborne combustibles, dust from wood, paper, metal ECT.
- Do not operate the equipment on a paved, gravel, or hard surface unless the collection bag is installed. Discharged material may bounce from a hard surface.
- Never pick up or carry equipment while the engine is running.
- Walk, never run.
- Never allow children or untrained adults to operate this equipment.
- Keep the area of operation clear of all persons, particularly small children, and pets. Keep bystanders at least 25 feet away from the area of operation.

- Do not run engine in an enclosed area. Engine exhaust contains carbon monoxide gas, a deadly poison that is odorless, colorless, and tasteless.
- Before removing or installing collection bag, shut off engine, disconnect spark plug wire from spark plug, and allow all moving parts to come to a complete stop.
- Do not allow hands or any other part of the body or clothing inside the vacuum inlet.
- Do not start engine or operate this equipment with any safety guards or housing removed.
- If equipment jams or becomes clogged, immediately shut off engine, disconnect spark plug wire from spark plug, and allow all moving parts to come to a complete stop. Use only a wooden stick to clear away debris.
- Empty the collection bag after each use. Decomposed debris could generate enough heat to catch fire. Before emptying the collection bag, shut off engine, disconnect spark plug wire from spark plug, and allow all moving parts to come to a complete stop.

DANGER

Liquid propane is highly flammable and its vapors are explosive. To prevent personal injury or property damage:

- Do not allow open flame, matches, or smoking in area.
- Never overfill a propane tank. The tank supplied with this machine is a horizontal vapor withdrawal 20 lb. tank. Weight fill tank only 80% of rated capacity. Tare weight is stamped on the tank.
- Always store propane tank outside in an approved, secured, tamper proof enclosure to provide safety from vandalism and accidents.
- Never use a non-UL listed propane tank.

Never change or alter the fuel system unless authorized by The Parker Company Service Department.

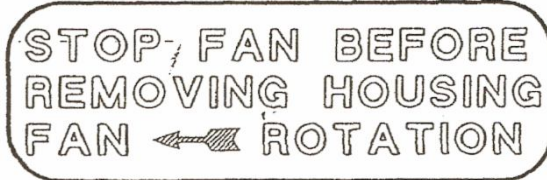
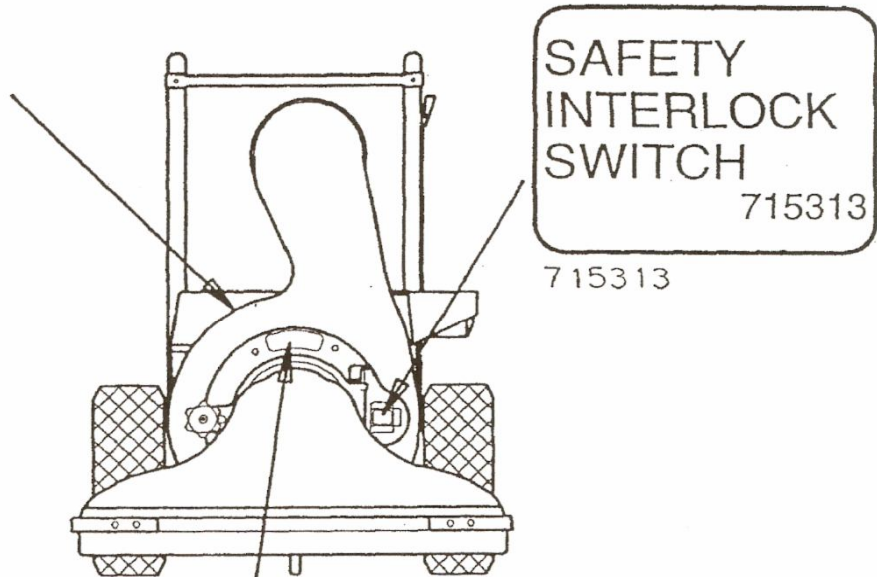
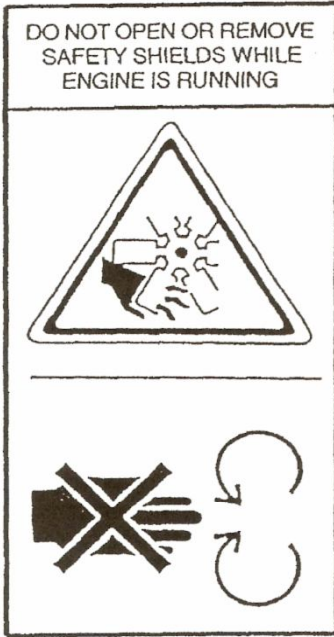
DANGER

Gasoline is highly flammable and its vapors are explosive. To prevent personal injury or property damage:

- Do not add fuel if engine is running or still hot from recent operation. Allow engine to cool for at least three minutes.
- Do not fill fuel tank indoors. After filling, wipe up any spills and move away from gasoline fumes before starting engine.
- Do not allow open flame, matches, or smoking in area.
- Fill fuel tank with fresh, clean unleaded regular automotive gasoline, (leaded regular and unleaded or leaded premium grades of gasoline are acceptable substitutes).
- Do not mix oil with gasoline.
- Clean the area around the fuel fill cap and remove the cap from the fuel tank. Insert a clean funnel into the fuel tank.
- Fill the tank to 1/2 inch below the bottom of the filter neck to provide space for any fuel expansion.
- Reinstall the fuel fill cap securely and wipe up any spilled gasoline.

SAVE THESE INSTRUCTIONS

SAFETY DECALS



85-151-A

OPERATING INSTRUCTIONS

READ SAFETY AND OPERATING INSTRUCTIONS BEFORE OPERATING EQUIPMENT

1. Heavy concentration of sand and gravel should be avoided. These materials are extremely abrasive, and while the VAC 35 will handle moderate amounts of these materials, it is not designed for heavy applications. Treat your VAC 35 with reasonable care and it will repay you with long, trouble-free service.
2. The VAC 35 will handle most common kinds of debris found around industrial plants, commercial buildings, homes and farms. Acid contaminated materials, magnesium, dust and other DANGEROUS DEBRIS that is considered hazardous should not be handled with the VAC 35.
3. The efficiency of this unit depends on the breathing capacity of the dust bag. Under extremely dusty conditions the bag should be emptied and cleaned frequently. Always empty and clean bag before storing after use. Debris allowed to remain in the bag may cause spontaneous combustion, resulting in an explosion or fire. See instructions supplied with dust bag.

DUST BAG CARE

1. To clean dust bag, turn the bag inside out and reattach to unit.
2. Start engine and run at full throttle. Lightly tap bag to release dirt trapped in the weave.
3. When clean, turn bag right side out and reattach to unit.
4. Bag can be washed if extremely dirty.

BEFORE STARTING ENGINE

IMPORTANT: Read the Engine Manual CAREFULLY before operating the VAC 35. Before starting the engine read and understands the following:

1. **Be sure the engine crankcase is filled with the proper type and amount of oil.**
2. Spin-Pak® is in place.
3. Dust bag or discharge hose is in place.
4. Intake housing or hose kit is attached to the fan housing.

TO START ENGINE

IMPORTANT: Read the dangers of liquid propane fuel before operating the VAC-35.

1. Move the throttle lever to the full throttle position.
2. Move the choke lever to the choke on position.
3. Open the valve on the propane tank by turning the knob counterclockwise. (propane units only)
4. This engine does not require a primer to start. A couple of quick pulls on the starter cord will disengage the safety lock-off and allow propane to flow to the engine.
5. Upon engine startup move the choke lever to the choke off position then adjust throttle lever.

TO STOP ENGINE

1. Move the throttle lever to the slow/stop position.
2. Close the valve on the propane tank by rotating the handle clockwise. (propane units only)
3. Allow the engine to run until all of the propane in the fuel line has been used up. When the engine stops the safety lock-off will automatically engage.
4. Remove any hearing protection and listen for all moving parts to come to a complete stop.

LUBRICATION

Add a few drops of oil to the throttle control cable and wire to help keep it operating smoothly.

Clearing the Machine of Clogs and Jams

A clog or jam in the machine can cause the vacuuming operation to decrease or even stop completely. If this occurs, take the following steps:

1. STOP THE ENGINE IMMEDIATELY and disconnect the spark plug wire from the spark plug. Wait for all moving parts to come to a complete stop.
2. Check (and clean, if necessary) the following areas in this order:
 - Check that the collection bag is not overfilled. Remove and empty bag.
 - While the bag is removed, check that the discharge deflector is not clogged or jammed. Use a stick to clear away any debris.
 - Check that the vacuuming attachment is not clogged or jammed. Remove the attachment and thoroughly clean the opening. While the attachment is removed, check the inlet opening to the machine. Use a stick to clear away any debris.

OPERATING INSTRUCTIONS VAC 35 HYDROSTATIC DRIVE



Figure 1

Figure 1 shows control assembly.

To Move Forward:

Push control handle forward for forward motion the further the control is pushed the faster the forward motion will be.

To Stop:

Release the control handle, controller will return to neutral.

For Reverse:

Pull Control Handle to rear.



Figure 2

Figure 2 shows transmission release (used to move unit when engine is not running.)

When release is in the down position unit will be engaged. (**This is the normal operation position as shown in figure 2.**)

When release is in the up position unit can be rolled. (Wheels are free.)

Note:

If release is in the **up** position unit will not move when control is moved for forward or reverse.

ASSEMBLY INSTRUCTIONS

TO ASSEMBLE UPPER HANDLE

NOTE: See Upper Handle Assembly Page 12 of this owner's guide for reference numbers used in these instructions.

Insert upper handle into lower struts and install 4 bolts (10) Washers (11) Nuts (12). Once bolts are installed they can be tightened.

Place controller assembly onto upper handle and insert 2 bolts and secure (Refer to upper handle assembly page 12.)

Use Bolt (4) and (8) with nut (5) and washer (6).

Install throttle cable (15) to upper handle using 2 bolts (16) and 2 Nuts (17) and tighten.

TO ASSEMBLE SPIN-PAK

NOTE: See Housing Assembly Page 17 of this owner's guide for reference to numbers used in the following instructions.

1. Remove hex head bolts (39), flat washers (30), and lock nuts (27) from the three upper holes used to secure retaining ring (58) to housing assembly (24). DO NOT remove the bottom bolt or retaining ring from housing assembly.
2. Align the holes in Spin-Pak (59) with three upper holes in retaining ring and housing assembly.
3. Replace hardware removed in Step 1 and tighten.

ATTACHING INTAKE HOUSING

1. Insert hinge bosses on collar of intake housing (61) behind the hinged extension on front cover assembly (16).
2. Swing intake housing (61) to lay flat against front cover assembly (16).
3. Secure by placing flatwasher (31) and adjusting knob (53), on pivot bolt, over the collar of intake housing and tighten adjusting knob.

ATTACHING DUST BAG

1. Place large loop in upper bag straps over the upper handles.
2. Place neck of dust bag over Spin-Pak until tie strap can be pulled tight around neck of housing, just over bead on retaining ring. Bead must be covered.
3. Place bag hooks onto loops in lower bag straps and hook to lower crossbar.

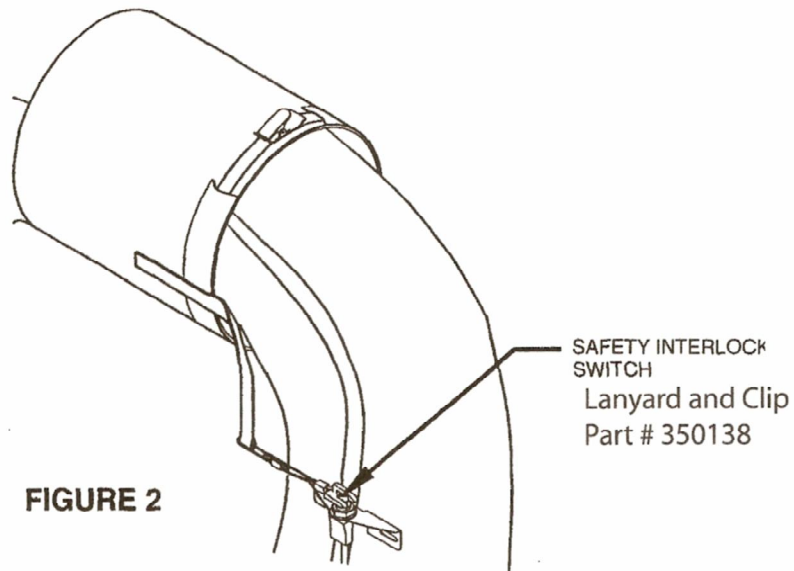
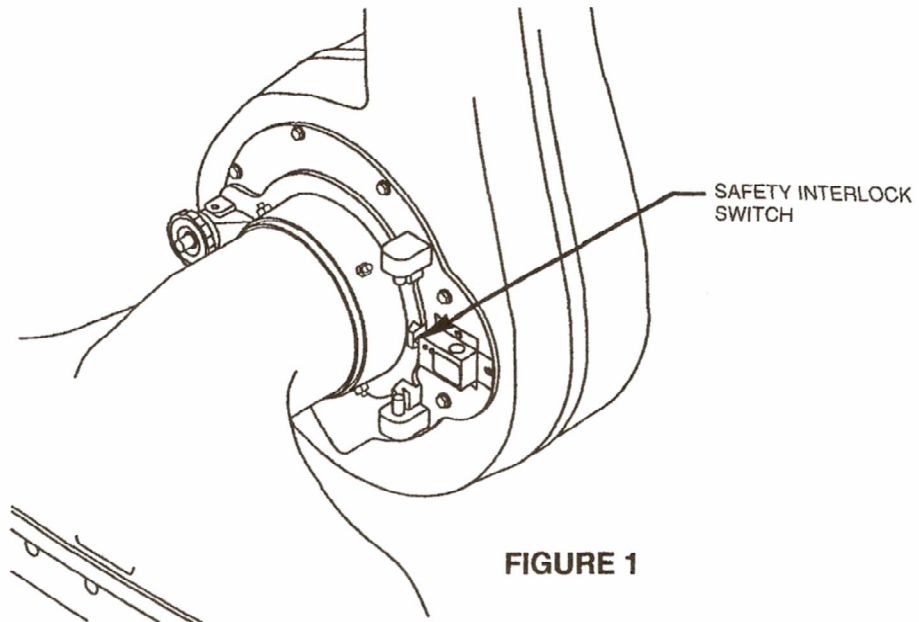
WARNING: Failure to attach bag hooks to lower crossbar can cause premature wear of bag and neck at the Spin-Pak. The Spin-Pak may also break prematurely due to excessive weight from the bag.

WARNING: The engine contains **NO OIL**. Read the Engine Instruction Manual carefully before operating the VAC 35. Be sure you know how to start and stop the engine before proceeding further. Do not start the engine until all assembly is finished.

WARNING: Make a thorough inspection to see that all fastenings are tight and all parts are properly installed. DO NOT start engine without intake housing and dust bag in place. If engine is started without intake housing attached, serious injury may result by drawing clothing or parts of the body into the fan. If engine is run without Spin-Pak or dust bag, small stones or other objects may be picked up and propelled at operator or bystanders through the unprotected opening causing serious injury.

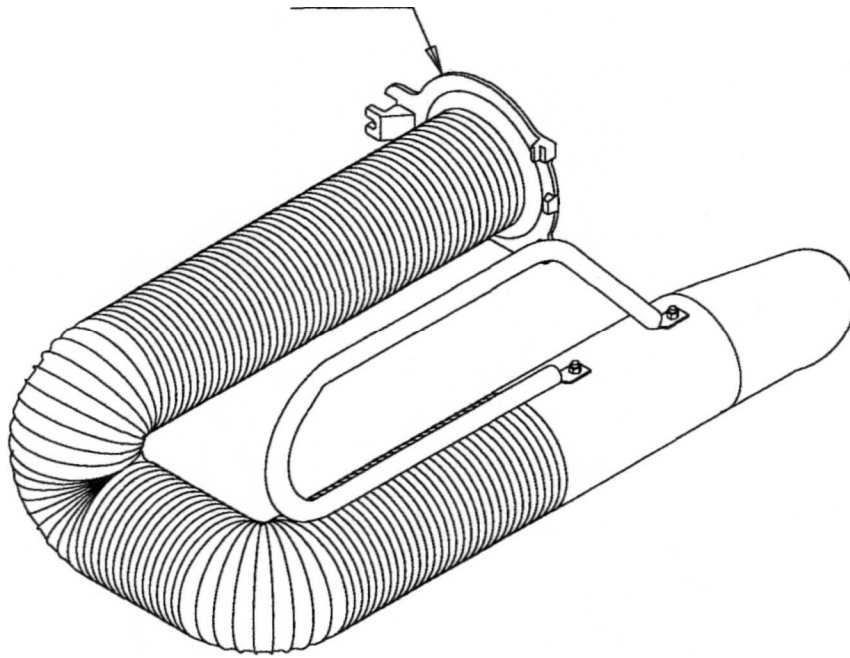
SAFETY INTERLOC SYSTEM

This equipment incorporates two safety interlock systems. Figure 1 below is for the front Vacuum Housing Assembly. Figure 2 is for the Cloth Bag Assembly. Both interlocks must be engaged for engine to start.

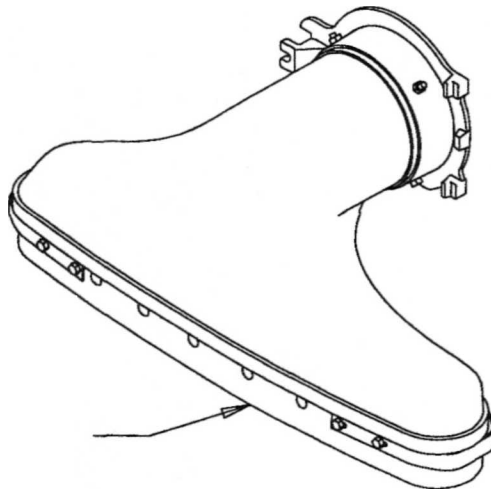


ACCESSORIES

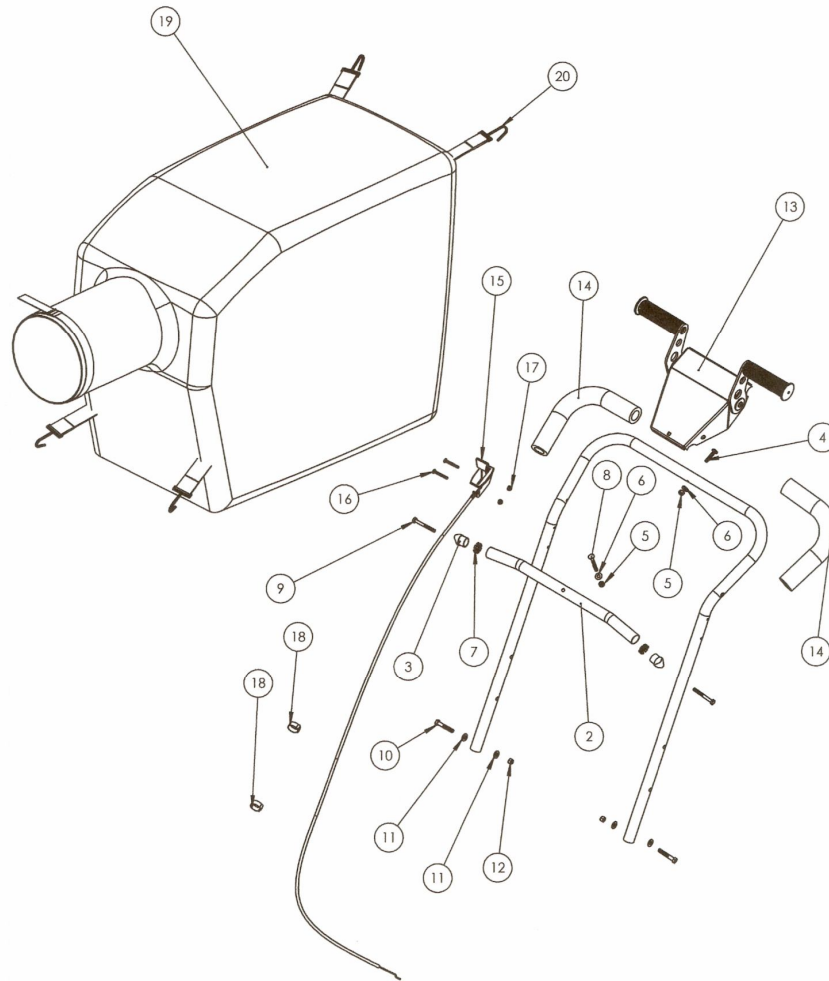
MA-620-D 8 inch Hose Kit
MA-118-B 6 inch Hose Kit
MA-622-D 4 inch Hose Kit



Optional MA-113-D 24 inch Intake
Standard MA-251-D 30 inch Intake
Optional MA-120-D 36 inch Intake

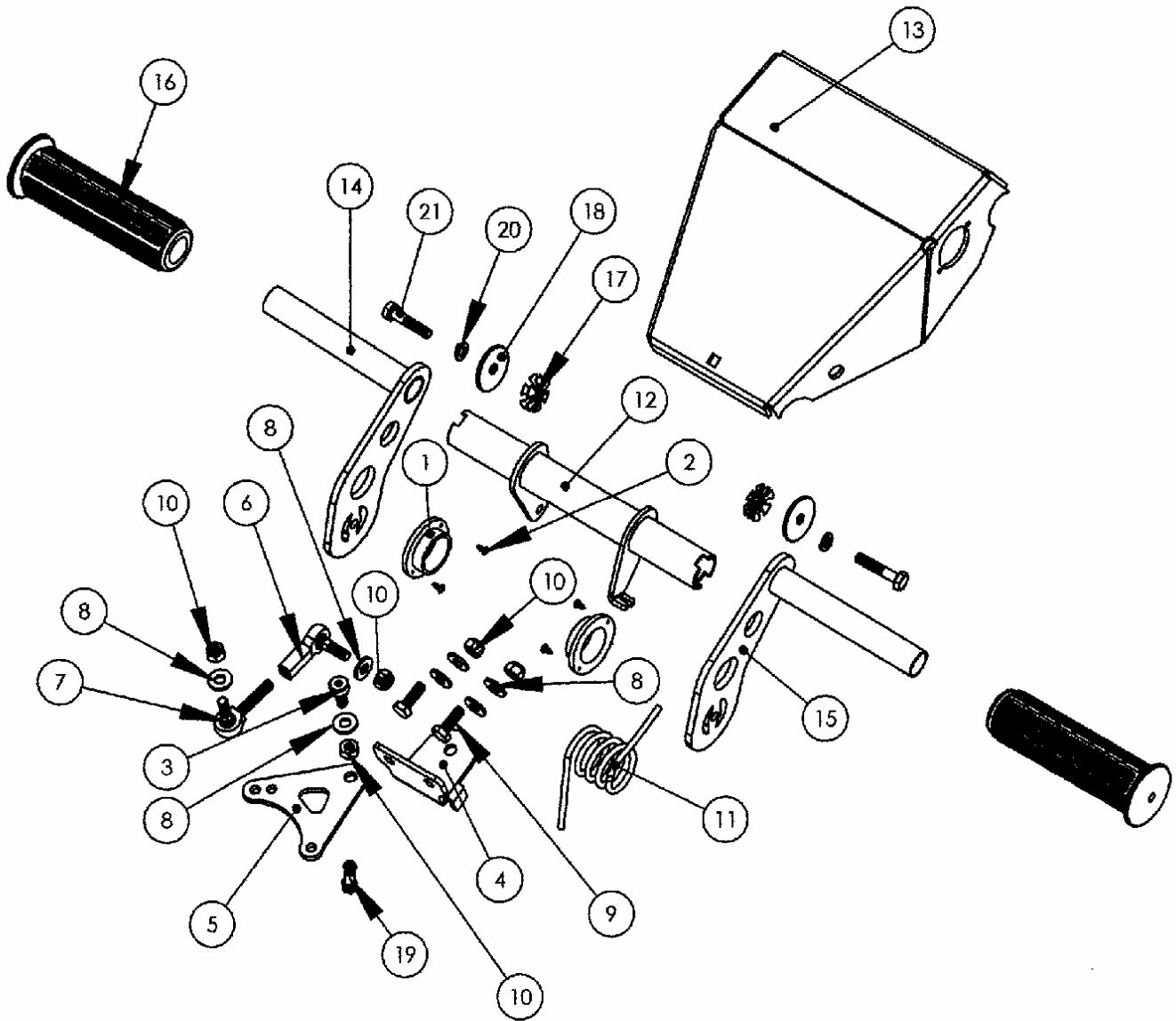


Vac 35 Hydro Upper Handle Assembly



ITEM NO.	PART NUMBER	DESCRIPTION	QTY.
1	360707	Vac 35 Handle upper	1
2	360622	Handle Cross Brace	1
3	81-172-A	Tube Connector round to round	2
4	70-416-21	Blt 1/4 – 20 x 1 1/2	1
5	711373	Nut Nyloc 1/4	2
6	711505	Wsr-Flt. 1/4	2
7	80-148-A	1" 16-22 Ga.MetalTube Connector	2
8	70-416-23	Blt-HH1/4 – 20 x 2	1
9	713008	Blt-HH 1/4-20 x 2.25	2
10	713030	Blt-HH 5/16-18 x 1 3/4	2
11	711506	Washer Flat 5/16	4
12	711374	Nut Nyloc 5/16-18	2
13	360717	Vac 35-H Controller Assembly	1
14	360108-A	Sleeve Handle 15"	2
15	83-25-B-49	Cable-Throttle Assy.	1
16	515-10-24	Blt HH 10-24 x 1.5 #5	2
17	712638	Nut-Nyloc 10-24	2
18	80-276-A	Clamp cable	2
19	350800	Bag w/lanyard	1
19A	350852	Optional Dust Bag Cover 9 Cu. Ft.	1
20	63-304-A	Hook, Bag	4

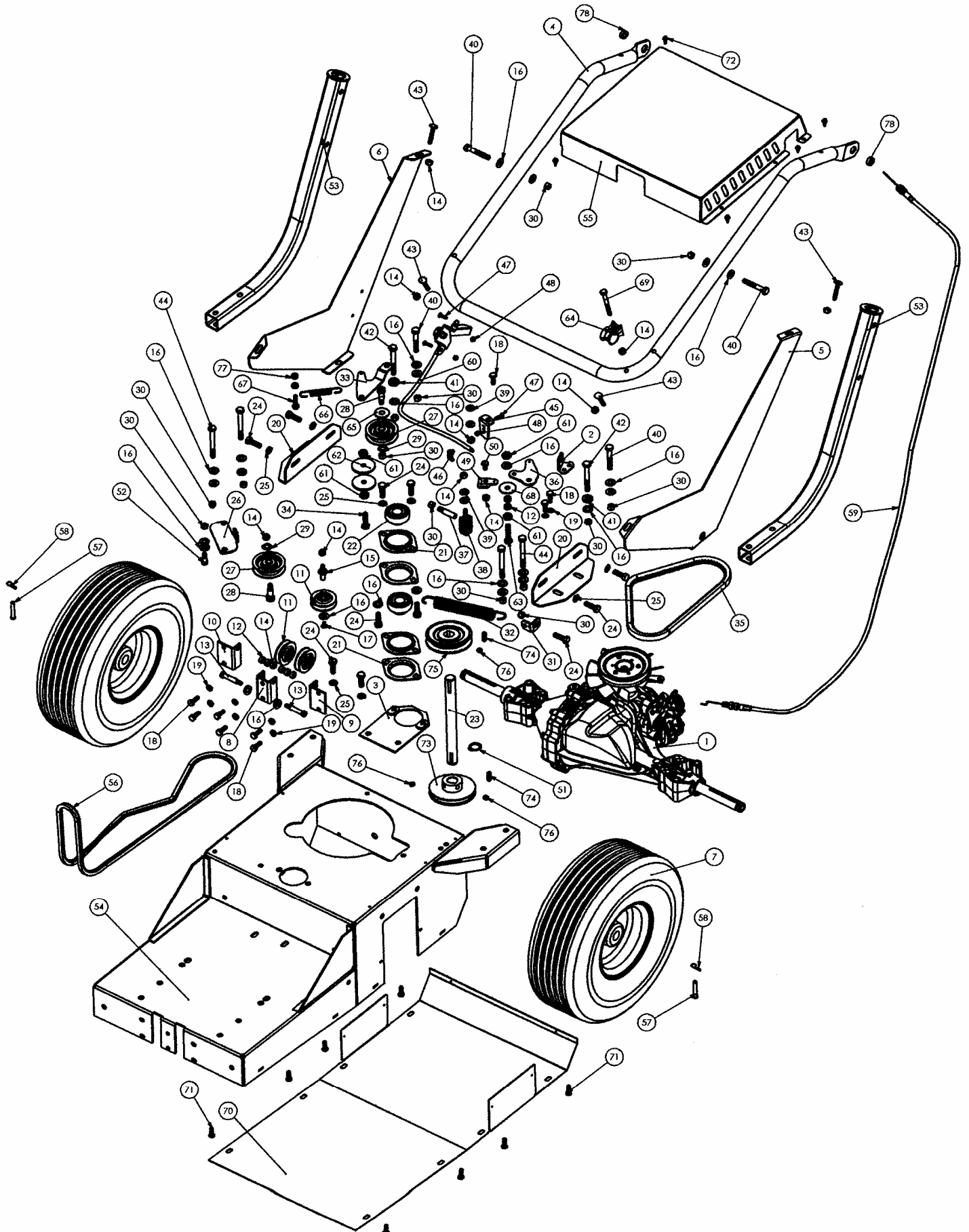
Vac 35 Upper Control Assembly



Vac 35 Upper Control Assembly

ITEM NO.	PART NUMBER	DESCRIPTION	QTY.
1	360627	Nylon Bushing	2
2	360628	4 x 1/4 Selftaping Sheet Metal Screw	4
3	360632	Shld-Bolt 5/16 x 1/4	1
4	360636	VAC-35 Controller Bracket	1
5	360701	VAC-35 Controller Arm	1
6	360633	Ball Joint 1/4-28 Female	1
7	360637	Ball Joint 1/4-28 Male	1
8	711505	Wsr-Flt 1/4	7
9	713002	Bit-HH 1/-20 x.75 #5	2
10	711373	Nut Nylock 1/4-20	5
11	360639	VAC -35 Spring Controller	1
12	360714	VAc-35 Controller Lever Weldment	1
13	360715	VAC-35 Controller Housing Weldment	1
14	360624-A	VAC-35 Control Handle Right Weldment	1
15	360624-B	VAC-35 Control Handle Left Weldment	1
16	78-71-A	Grip Handle Black	2
17	80-148-0	1"-16-22 GA Metal Tube Connector	2
18	711550	Wsr- 1 1/4 x 9/32 Zinc	2
19	350136	Cable Sviwel Barrel	1
20	711544	Wsr- Helical 1/4	2
21	713004	Bit-HH 1/4-20 x 1.25 #5	2

Vac 35 Hydro Traction Assembly

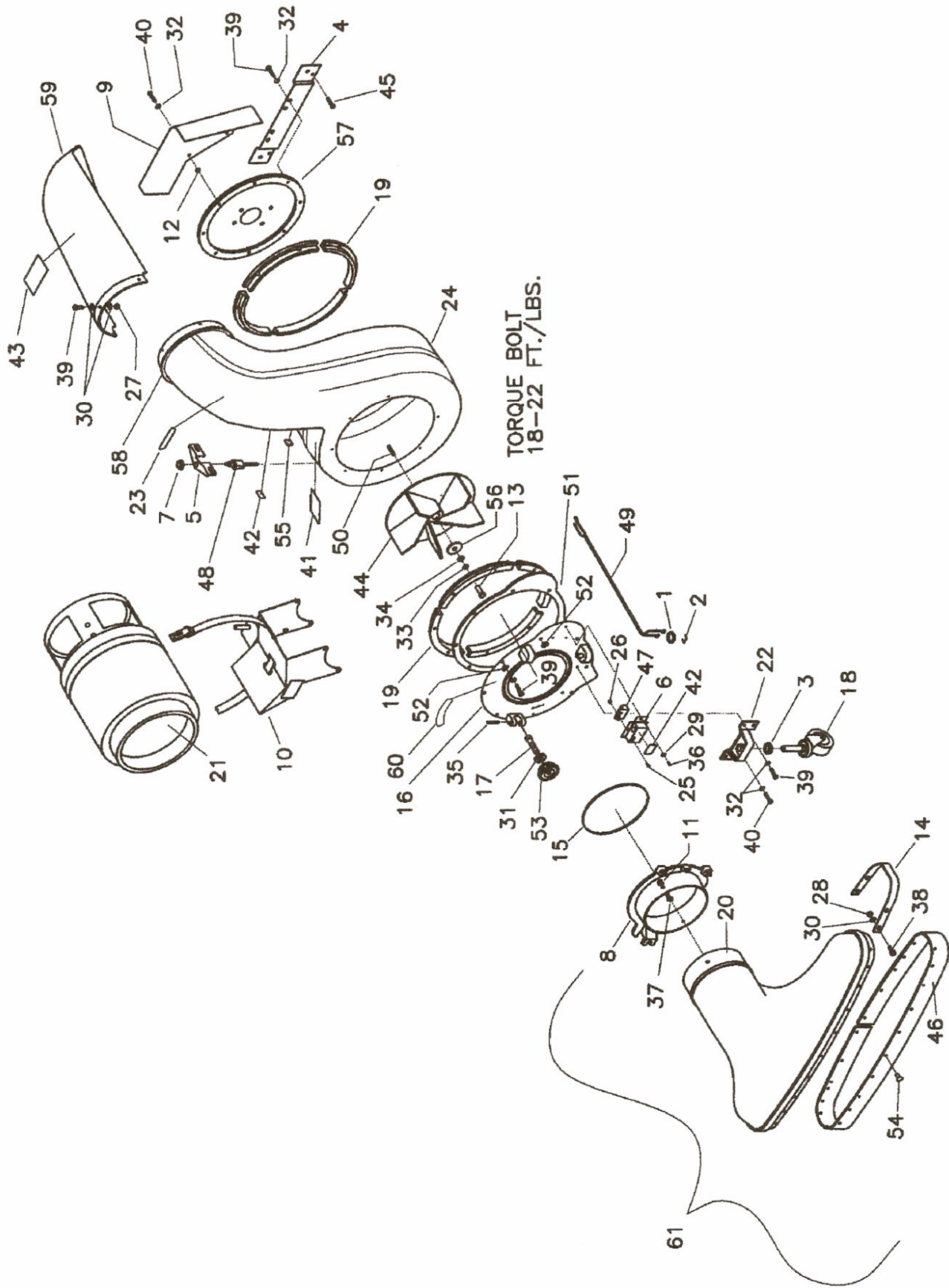


Vac 35 Hydro Traction Assembly

ITEM NO	PART NUMBER	DESCRIPTION	QTY
1	360700	Hydrostatic Transmission	1
2	360614	Throttle Cable Bracket	1
3	360718	Bearing holder weldment	1
4	360702	Frame Basket	1
5	360704	Basket side plate IF	1
6	360705	Basket side plate RH	1
7	68-310-B	Wheel Assembly	2
8	350134	Pulley bracket center	1
9	350109	Pulley bracket LF	1
10	350108	Pulley bracket -RH	1
11	350166	Pulley Assy	3
12	82-135-0	Spacer - 0.316X.0498XO. 197	6
13	711281	Shld. Bit 1.25 x 5/16	2
14	711373	Nut Nyloc 1/4-20	12
15	350187	Pulley Stud	1
16	711506	Wsr- Fit. 5/16	26
17	712540	SCR-MC 10-24 x .37 SS TH	1
18	713002	Blt-HH 1/-20 x .75 #5	9
19	711544	Wsr- Helical 1 /4	8
20	350106-A	VAC-35 Transm. Mtg. Bkt-Hydro	2
21	340742	Bearing-Fig Presweep Zinc	4
22	881059	Bearing -Collar.75	2
23	350115-A	VAC-353/4" Drive Shaft Hydro	1
24	713027	Blt-HH 5/16-18 xl #5	11
25	711545	Wsr-Helical 5/16	8
26	350304-B	VAC-35 Tensioner Eng. Dr	1
27	76-456-A	Pulley	2
28	712081	Blt-Shld 0.375 x 0.75 x 1/4-20	2
29	711523	WSR- Wave .370 x .68 x .08	2
30	711374	Nut Nyloc 5/16-18	14
31	360630	Spring Holder Bracket	1
32	210035	Spring Return	1
33	350293-B	VAC-35 Lever Tensioner	1
34	713028	Blt-HH 5/16-18 x 1.25 #5	1
35	350305	Belt TRUEFLEX 1260 3L260	1
36	360713	Throttle Control Lever	1
37	360710	Headless Shoulder Bolt	1
38	360726	Drive Control Bracket Weldment	1
39	711505	Wsr-flt 1/4	4

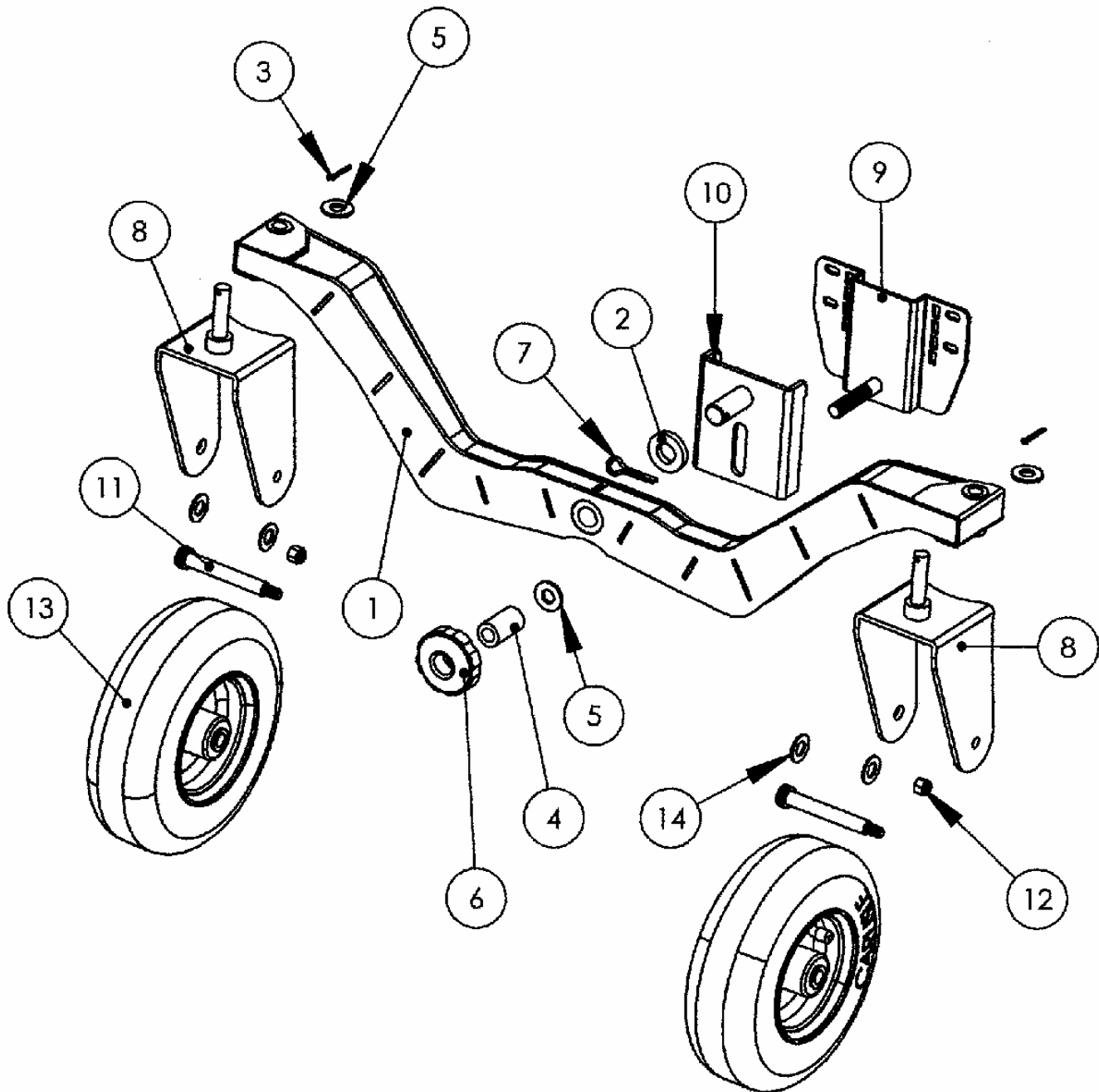
ITEM NO	PART NUMBER	DESCRIPTION	QTY.
40	713031	Blt-HH 5/16-18 x 2 #5	4
41	86-86-A	Spacer .391 x.75 x .156	2
42	713033	Blt-HH5/16-18x2 1/2 #5	2
43	69-416-24	Blt-Cont Head 1/4-20 x 1.5 #5	4
44	713034	Blt-HH 5/16-18 x 2 3/4 #5	4
45	360618	Parking Brake Cable Bracket	1
46	360619	Brake cable strap	1
47	710230	SCR-MC 8-32x.62 Zinc	3
48	711372	Nut Nyloc 1/4-20	3
49	360620	Parking Brake lever	1
50	711202	Blt-HH 1/4-20 x .50 STI Zinc	1
51	711715	Ret-Ring Ext.750	1
52	712041	Blt-Shid .31 x .375 x 1/4-20	1
53	360703-A	Handle Strut Weldment	2
54	350100 HA	VAC-3S Hydro Base Weldment	1
55	360708	Belt Cover	1
56	350306-A	Belt GOODYEAR 3VX560	1
57	80-44-A	Pin-Clevis CP-43-M	2
58	711808	Pin-Hairpin Cotter # 13	2
59	360760	Transmission Cable	1
60	350125	Cable Brake SPVAC	1
61	711383	Nut-Hex CTR loc 5/16 x 18	4
62	82-138-B-I	Wsr- Special	2
63	713036	Blt-HH 5/16-18 xl 3/4 #5	1
64	350186-1	Rope Guide	1
65	711507	Wsr-Fit .37 x 1.12 x.06	1
66	430051	Spring Tensioner .438x2.938	1
67	713003	Blt-HH 1/4-20 x 1.00	1
68	711516	Wsr-Fit .31 x 1.25 x .05	1
69	713008	Blt-HH 1/4-20x2 1/4 #5	1
70	360640	Bottom Plate Cover	1
71	713001	Blt-HH 1/4-20 x .62 #5	8
72	360621	Screw #10 1/8 x 1/2 self tap	5
73	350121	Pulley 3.5X 3/4	1
74	762375	Key- Sq .187 x .750	2
75	89-133-C	Pulley Drive Shaft	1
76	721516	set screw 5/16-18 x 0.25	3
77	711377	Nut Stover Nut-loc 1/4-20	2
78	81-120-A	Bushing .62 x .315 x.215	2

Vac 35 Housing Assembly



PARTS LIST			
ITEM	PART NO.	REQ'D	DESCRIPTION
1	101008	1	GROMMET, RUBBER
2	250136	1	STRAIN RELIEF
3	340-1216	1	NUT-JAM 3/4
4	350128	1	HOUSING SUPPORT
5	350129	1	SWITCH BRACKET FOR 7050-10
6	350130	1	SWITCH BRACKET 6400
7	350135	1	SWITCH NUT 6250
8	350152	1	COLLAR
9*	350275	1	**HEAT SHIELD VAC35 LP ** USED ON PROPANE UNITS ONLY**
10*	350285	1	**TANK BRACKET ASSV VAC35LP ** USED ON PROPANE UNITS ONLY**
11	369-416	4	NUT-NVLOC SERATED 1/4-20
12	54-227-A	2	SPACER-.328 X.50 X .156
13	60.516-24	1	BL T-HH 5/16-24 X 1.5 #5
14	62-98-C	2	GUARD
15	63-190-A	1	O RING GASKET
16	63-191-D	1	CASTING-COVER FRONT
17	63-192-A	1	PIVOT BOLT
18	64-71-A	1	CASTER
19	64-78-C	8	ANTI-WRAP SEGMENTS
20	65-567-F	1	INTAKE HOUSING 24 ^W
20A	77-18-F	1	INTAKE HOUSING 3D"
20B	MA-121	1	INTAKE HOUSING 36 ^W
21*	65-747-B	1	**L.P. TANK 20LB. VAPOR ** USED ON PROPANE UNITS ONLY**
22	66-430-C	1	CASTER BRACKET
23	67-08-A	1	DECAL-8PIN PAK
24	70-103-F	1	HOUSING BLOWER VAC35
25	710130	2	SCR-MC 8-32 X .62 NICKEL
26	711372	2	NUT-NVLOC 8-32
27	711373	4	NUT-NVLOC 1/4-20
28	711377	8	NUT-NVLOC 1/4-20
29	711503	3	WSR-FLT#10
30	711505	20	WSR-FLT 1/4
31	711509	1	WSR-FLT 1/2
32	711544	18	WSR-HELICAL 1/4
33	711585	1	WSR-EXT LOCK 5116
34	711575	1	WSR-FLT .31 X .75 X .06 STL
35	711661	1	PIN-ROLL .250 X 1 3/4
36	712810	3	SCR-MC 10-24 X .37 ZINC
37	713001	4	BL T-HH 1/4-20 X .62 #5
38	713002	12	BL T-HH 1/4-20 X .75 #5
39	713003	14	BLT-HH 1/4-20 X 1.00 #5
40	713004	2	BLT-HH 1/4-20 X 1.25 #5
41	715300	1	DECAL-WARNING FINGERS
42	715313	1	DECAL-8AFETVINTERLOC
43	715318	1	DECAL.-DANGER
44	72-175-0	1	FAN WHEEL 1 ^W BORE
45	72-416-10	4	BLT ST 1/4 X 518
46	73-67-	1	SKIRT 30- HOUSING
46A	73-74-D	1	SKIRT 36 ^W HOUSING
46B	73-76-C	1	SKIRT 24 ^W HOUSING
47	740282	1	SWITCH-DELTA 6451
48	741031	1	SWITCH BAG SAFETY KAWASAKI
49	740291	1	WIRE ASSEMBL V
50	74-112-A	1	KEV-1/4 X 1/4 X 2 1/2 (SP MODEL)
50A	63-1300A	1	KEV-1/4 X 1 3/4 LONG MAN. MODEL)
51	75-03C	1	GASKET FRONT COVER
52	78-1200A	2	CLAMP-P
53	80-29-A	1	KNOB-PLASTIC
54	80-332-A	15) (MAS TREE FASTNER
55	809443	1	CLIP-WIRE & CORD
56	82-138-8-3	1	WSR-AREA VAC 35
57	84-3436-C	1	BACK PLATE & GASKET,PV-8
58	85-59-C	1	RETAINING RING MACHINED
59	85-81.0	1	SPIN PAC DEFLECTOR
60	85-151-A	1	DECAL-8TOPFANBEFORE
61	MA-113-D	1	24 ^W INTAKE HOUSING
61A	MA-120-D	1	36" INTAKE HOUSING COMP
61B	SA-911-D	1	INTAKE ASSV 30" VAC35

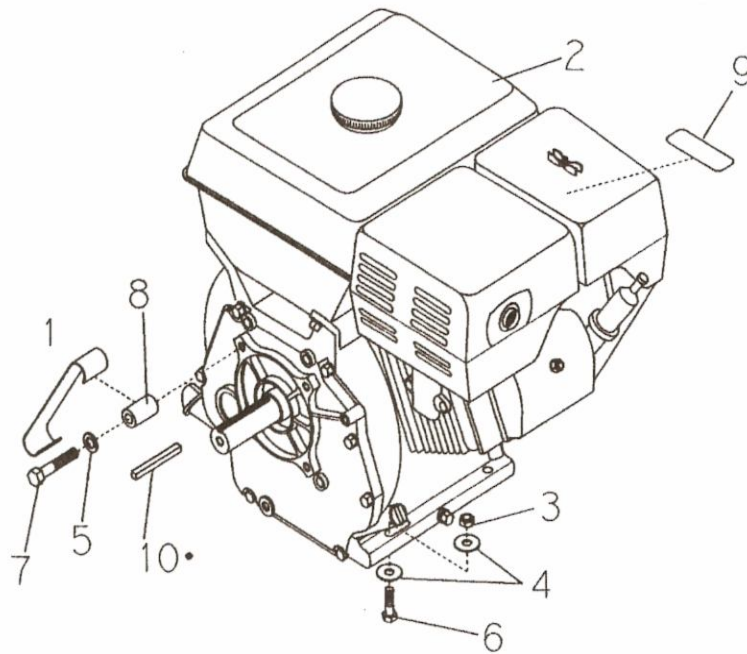
Optional Vac-35 Turf Wheel Kit



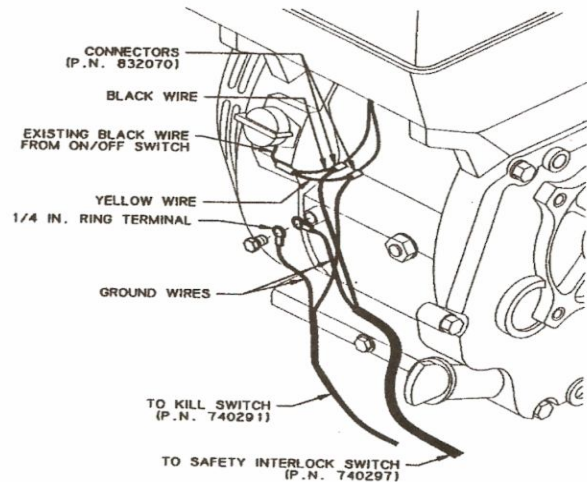
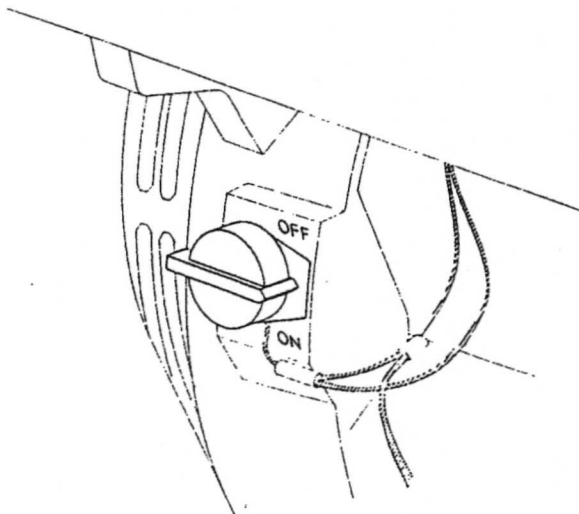
OPTIONAL VAC-35 TURF WHEEL KIT

ITEM NO.	PART	DESCRIPTION	QTY.
	NUMBER		
1	SA-914-B	V AC-35 Front Arm Weldment	1
2	64-134-A	Spacer .75 x 1.43 x .25	1
3	711809	Pin Cotter 1 .8 x 1 ZC	2
4	58-06-A	Sleeve	1
5	711509	Wsr-Flt 1/2 STL Zinc	3
6	80-29-A	Knob - Plastic	1
7	809311	Pin -Cotter 7/32 x 1	1
8	350011	V AC-35 Wheel Support Weldment	2
9	350012	VAC-35 Adjustment Bracket Weldment	1
10	350013	VAC-35 Front Bracket Support Weldm.	1
11	712115	Blt-Shld. 1/2 x 3.25	2
12	711380	Nut-Nylock 3/8-16	2
13	360157	Tire-Pneu 9 x 2.50	2
14	711592	Wsr-Flt .940 x .506 x .064 NYL	4
14A	SA-914-A	Complete Assembly	1

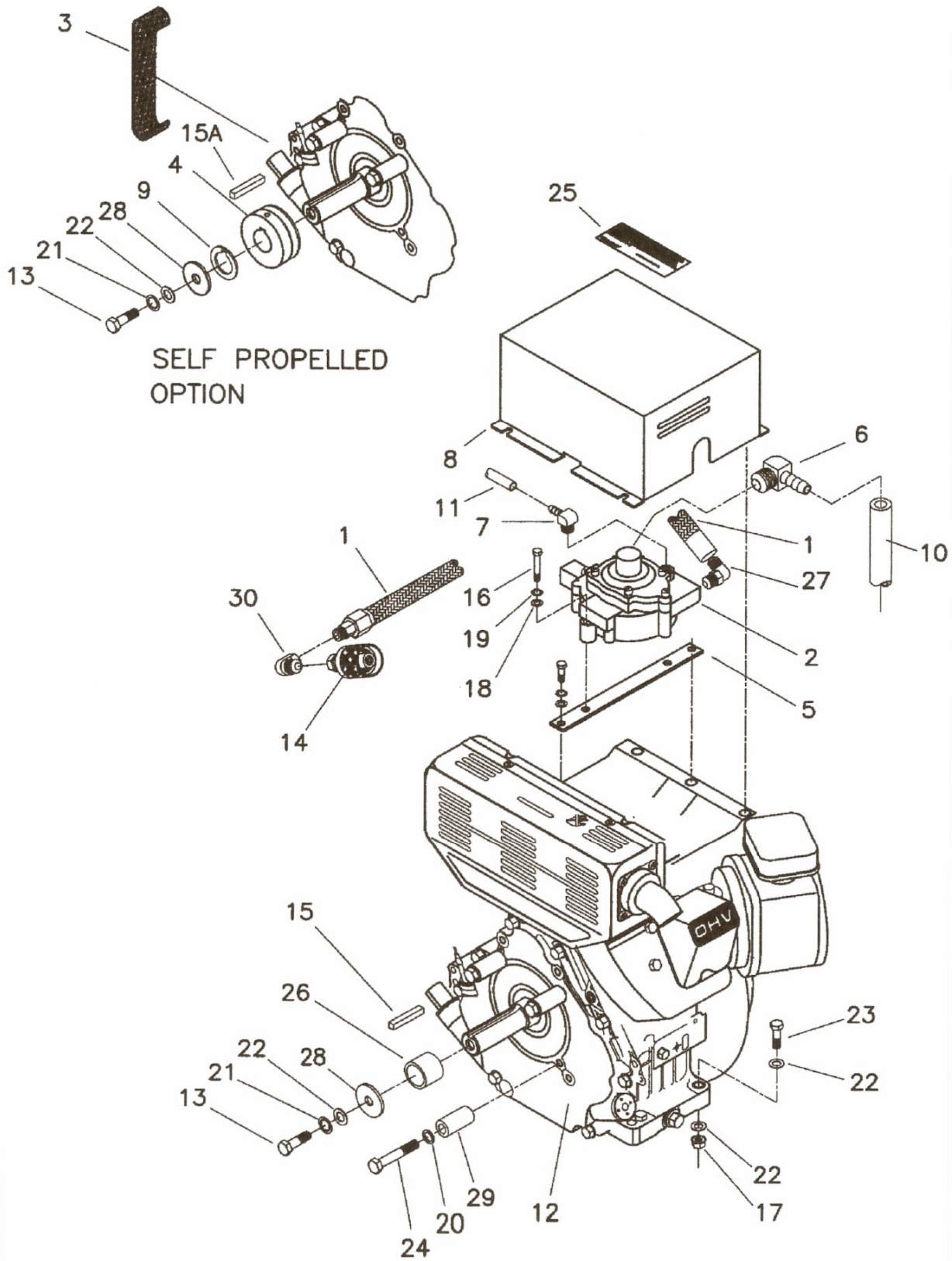
Honda 8 Hp



PARTS LIST			
Item	Part No.	Qty.	Description
1	350112	2	Finger Guard
2	350500	1	8 HP Honda Engine
3	711380	4	3/8-16 Nyloc Nut
4	711508	8	.44 x 1.00 Flatwasher
5	711546	4	3/8 Helical Washer
6	713045	4	3/8-16 x 1.75 Hex Bolt (Grd. 5)
7	713047	4	3/8-16 x 2.25 Hex bolt (Grd. 5)
8	350150	4	.406 x .75 x 1.38 Spacer
9	715314	1	Muffler Decal
10	74-112-A	1	1/4 x 1/4 x 2 1/2 Key
11	350120	1	Engine Pulley for self propelled unit (Not Shown)



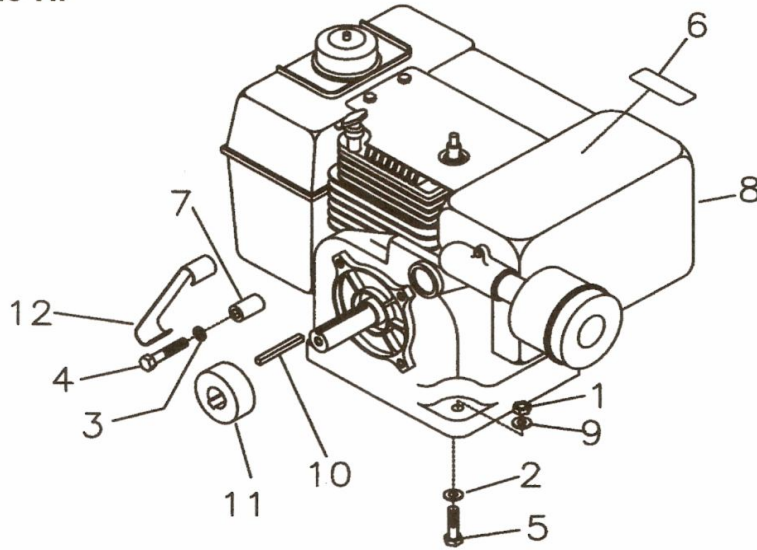
8 Hp KAWASAKI OHV PROPANE



PART LIST

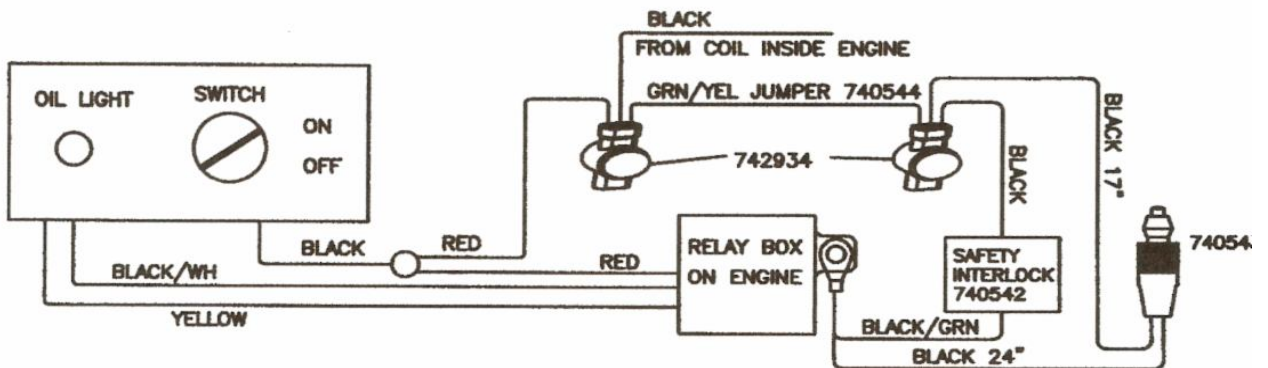
ITEM	PART NO.	REQD.	DESCRIPTION
1	220070	1	HOSE-HIGH PRESSURE
2	220217	1	REGULATOR
3	350112	2	FINGER GUARD
4	350120	1	PULLEY MOTOR
5	350278	1	BRACKET-REGULATOR
6	350279	1	FITTING-90 3/8MPT 3/8 HOSE BRASS
7	350280	1	FITTING-1/8MPT 1/8 BARB BRASS
8	350283	1	COVER REGULATOR VAC 35 LP
9	350284	1	SPACER ARBOR 1" 1/4 KEY STL
10	350310	1	HOSE LP 13" – 3/8 DIA.
11	350311	1	HOSE VACUM 13" – 5/32 DIA.
12	350550	1	ENGINE 8 HP KAWASAKI
13	60-516-24	1	BLT-HH 5/16-24 X 1.5 #5
14	62-252-A	1	CONNECTOR SAFETY FEMALE
15	63-130-A	1	KEY 1/4 X 1 3/4 LONG (Manual Model)
15A	74-112-A	1	KEY 1/4 X 2 1/2 LONG (Sp Model)
16	711210	2	BLT-HH 1/4-20 X 1.25
17	711379	4	NUT-FLANGED WIZZ 5/16-18
18	711505	2	WSR-FLT 1/4
19	711544	2	WSR-HELICAL 1/4
20	711546	4	WSR-HELICAL 3/8
21	711585	1	WSR-EXT LOCK 5/16
22	711575	9	WSR-FLT .31 X .75 X .06 STL.
23	713029	4	BLT-HH 5/16-18 X 1 1/2 #5
24	713047	4	BLT-HH 3/8-16 X 2.25 #5
25	715277	1	DECAL-EMISSIONS 8 HP KAW
26	72-179-A	1	SPACER 1 X 1.312 X 1.032
27	80-113-A	1	90 MALE EL FLARED 428-03
28	82-138-B-3	1	WSR-AREA VAC 35
29	82-151-A	4	SPACER .406 X .75 X 1.5
30	831306	1	FITTING-90 1/4 MPT 1/4 FPT BRASS

KOHLER 8.5 HP

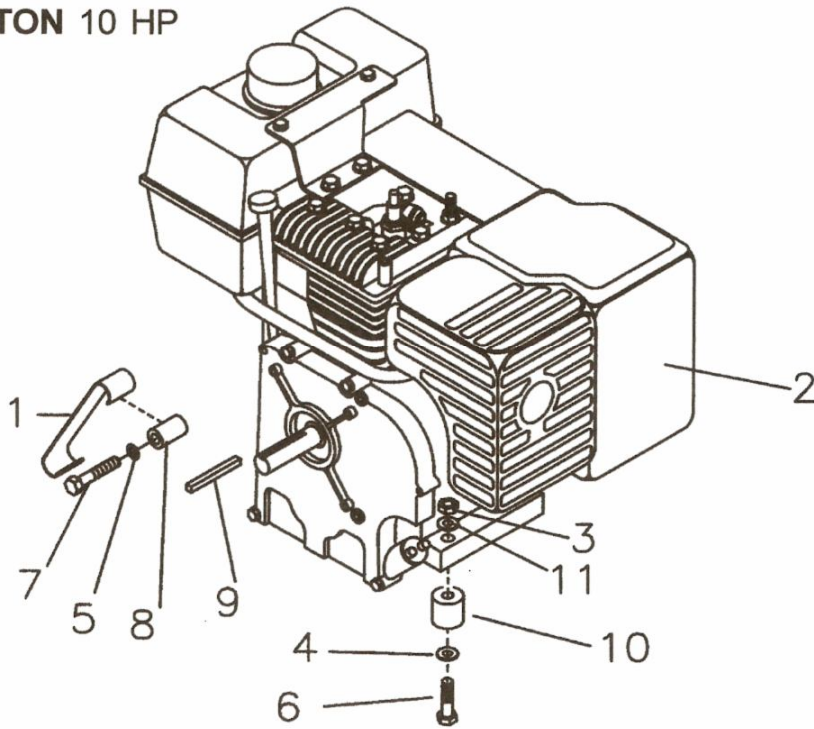


PARTS LIST			
Item	Part No.	Qty.	Description
1	711380	4	3/6-16 Nyloc Nut
2	711508	4	.44 x 1.00 x .06 Flat Washer
3	711546	4	WSR-Helical 3/8
4	713047	4	BLT-HH 3/8-16 x2.25 #5
5	713046	4	BLT-HH 3/8-16 x 2.00 #5
6	715314	1	Decal Muffler
7	350150	4	Spacer .406 x .75 x 1.38
8	350603	1	Engine 8.5 Hp Kohler
9	711515	4	WSR-Flat .44 x .87 x .07
10	74-112-A	1	1/4 x 1/4 x 2 1/2 Key
11	81-61-A	2	Engine Pulley
12	350112	2	Finger Guard

SAFETY INTERLOC WIRING DIAGRAM KOHLER 8.5 HP

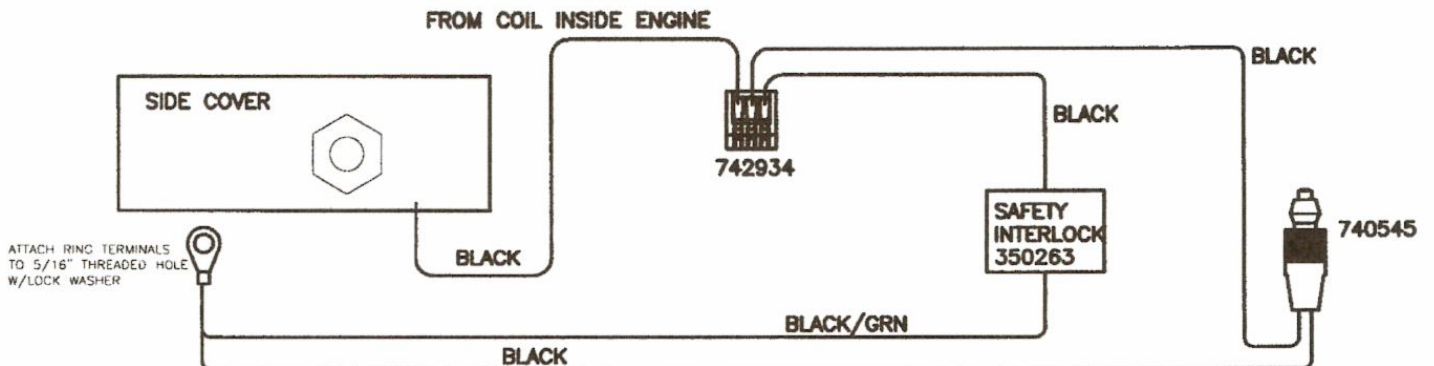


BRIGGS & STRATTON 10 HP



PARTS LIST			
Item	Part No.	Qty.	Description
1	350112	2	Finger Guard
2	350602	1	10 Hp Briggs & Stratton
3	711374	4	5/16-18 Nyloc Nut
4	711507	4	WSR-Flat .37 x 1.12 x .06
5	711546	4	3/8 Helical Washer
6	713034	4	5/16-18 x 2 3/4 Bolt #5
7	713047	4	3/8-16 x2.25 Hex Bolt #5
8	350150	4	.406 x .75 x 1.375 Spacer
9	74-112-A	1	1/4 x 1/4 x2 1/2
10	232319	4	Spacer.375 x 1.125 x 1.078
11	711515	4	WSR-Flat .406 x .812 x .063
12	350120	1	Pulley Engine Not Shown

SAFETY INTERLOC WIRING DIAGRAM BRIGGS & STRATTON



LIMITED WARRANTY

The Parker Sweeper Company warrants to the original purchaser/user that this product is free from defects in workmanship and materials under normal use and service for a period of **TWO YEARS** from date of purchase. In addition, Parker Sweeper Company will, at its option, honor labor warranty claims for the first **12 MONTHS** from date of sale, provided such claims are submitted through and approved by factory authorized repair stations. Parker Sweeper Company will, at its option, repair or replace without charge, except for transportation costs, parts that fail under normal use and service when operated and maintained in accordance with the applicable operation and instruction manuals.

This warranty does not apply to normal wear, or to items whose life is dependent on their use and care, such as belts, cords, switches, hoses, rubber parts, electrical motor components or adjustments. Parts not manufactured by Parker Sweeper Company such as engines, batteries, battery chargers, hydraulic pumps, and tires are covered by and subject to the warranties and/or guarantees of their manufacturers. Please contact Parker Sweeper Company for procedures in warranty claims against these manufacturers.

Special warning to purchaser - Use of replacement filters and/or pre filters not manufactured by Parker Sweeper Company or its designated licensees, will void all warranties expressed or implied.

A potential health hazard exists without exact original equipment replacement.

All warranted items become the sole property of Parker Sweeper Company or its original manufacturer, whichever the case may be.

Parker Sweeper Company disclaims any implied warranty, including the warranty of merchantability and the warranty of fitness for a particular purpose. Parker Sweeper Company assumes no responsibility for any special, incidental or consequential damages.

This limited warranty is applicable only in the U.S.A. and Canada, and is extended only to the original user/purchaser of this product. Customers outside the U.S.A. and Canada should contact their local distributor for export warranty policies. Parker Sweeper Company is not responsible for costs or repairs performed by persons other than those specifically authorized by Parker Sweeper Company. This warranty does not apply to damage from transportation, alterations by unauthorized persons, misuse or abuse of the equipment, use of non-compatible chemicals, or damage to property, or loss of income due to malfunctions of the product.

If a difficulty develops with this machine, you should contact the dealer from whom it was purchased.

This warranty gives you specific legal rights, and you may have other rights which vary from state to state. Some states do not allow the exclusion or limitation of special, incidental or consequential damages, or limitations on how long an implied warranty lasts, so the above exclusions and limitations may not apply to you.



Parker Company Inc.
3700 East Anne Street Phoenix, AZ 85040
Tel: 602 453-3950 Fax: 602-453453-3929
www.parkersweeper.com

988401H
Rev 0409