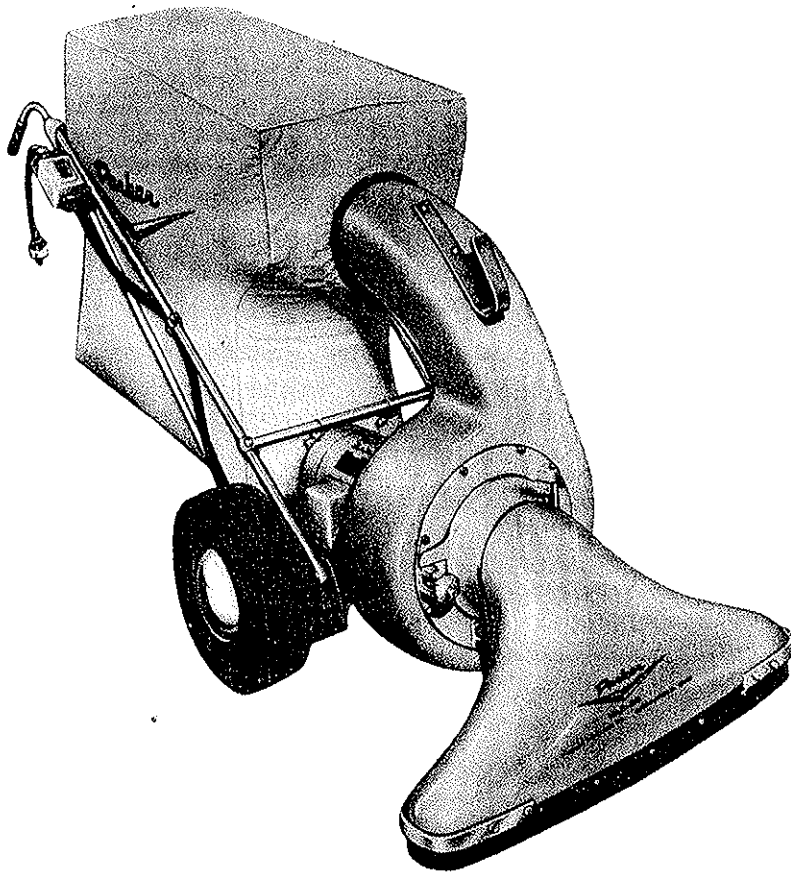


OWNERS GUIDE


Parker



VAC-35 ELECTRIC POWERED
MODEL PV-16802-E MODEL PV-16802-EX



PARKER SWEEPER COMPANY

BOX 720

SPRINGFIELD, OHIO 4

1M-PV-16802-E & EX

ASSEMBLY INSTRUCTIONS

PV-16802-E & EX

1. Your sweeper has been shipped in two cartons, one containing the sweeper unit, with the rolled up dust bag and spin-pak, the other containing the handle. Unroll the dust bag and you will find the hub caps, caster and bag of hardware. Check the hardware with the following list:

- | | | |
|--------------------|---|------------------------------------------------|
| PV-16802-E&EX | } | 61-13-A, 4 Handle Inserts, Ref. No. 26, Fig. 5 |
| | | 65-416-20, 2 Bolts - Hex Hd. |
| | | Ref. No. 3, Fig. 5 ¼-20 x 1¼ |
| | | 364-416, 2 Nuts - Hex Lock |
| | | Ref. No. 5, Fig. 5 ¼-20 Thin Type |
| | | 65-516-20, 4 Bolts - Hex Hd. |
| | | Ref. No. 14, Fig. 5 5/16-18 x 1¼ |
| | | 365-516, 4 Nuts - Hex Lock |
| | | Ref. No. 22, Fig. 5 5/16-18 |
| | | 69-416-20, 2 Bolts - Contour Hd. |
| PV-16820-E
only | } | Ref. No. 7, Fig. 5 ¼-20 x 1¼ |
| | | 936-416, 2 Washer - Inter. Tooth Lock |
| | | Ref. No. 13, Fig. 5 ¼ I.D. |
| | | 335-416, 2 Nuts - Regular Hex |
| | | Ref. No. 6, Fig. 5 ¼-20 |
| | | 66-378-A, 2 "U" Bolts ¼-20 Thd. |
| | | Ref. No. 10, Fig. 3 |
| | | 63-23-A, 1 Hanger Ref. No. 7, Fig. 3 |
| | | 364-416, 5 Nuts - Hex Lock |
| | | Ref. No. 8, Fig. 3 ¼-20 Thin Type |
| } | } | 65-416-16, 1 Bolt - Hex Hd. |
| | | Ref. No. 6, Fig. 3 ¼-20 x 1 |

2. Attach the caster, Ref. No. 20 in Fig. 6 to the bracket Ref. No. 18. Run the jam nut, Ref. No. 19 down on the caster stem. Then screw the caster stem into the bracket Ref. No. 18.

3. Lay out the two handles, Ref. No. 2, Fig. 5 and the two handle trusses Ref. No. 12, Fig. 5. Make sure the steel inserts Ref. No. 26, Fig. 5 is placed in the lower end of all four tubes.

4. Note that there are two sets of holes in the handle truss. Attach top cross brace as shown in Fig. 1 to the handle. Place the bolt Ref. No. 3, Fig. 5 through the top hole in handle truss for maximum handle height. (If lower position is more desirable use the second hole from the end of truss. Assemble both sets of handle and truss in the same hole location on each side. **DO NOT TIGHTEN BOLTS.**

5. Assemble the lower cross brace Ref. No. 11 on the bottom of the two handles as shown in Fig. 5 using Ref. No. 7-13 and 6 contour bolts internal tooth washers and regular hex nuts. **DO NOT TIGHTEN BOLTS.**

6. Assemble the two trusses to bottom holes of the right and left handle and axle brackets Ref. No. 23 & 15 with bolts and nuts Ref. No. 4 and 22, Fig. 5 making sure a steel insert Ref. No. 26, Fig. 5 is in the end of each truss as shown at Point "C" Fig. 2. **DO NOT TIGHTEN.**

7. Assemble the two handles to top holes of the right and left handle and axle brackets Ref. No. 23 & 15 with bolts and nuts Ref. No. 14 and 22, Fig. 5 making sure steel inserts Ref. 26, Fig. 5 is in the end of each handle as shown at point "D", Fig. 2. **DO NOT TIGHTEN.**

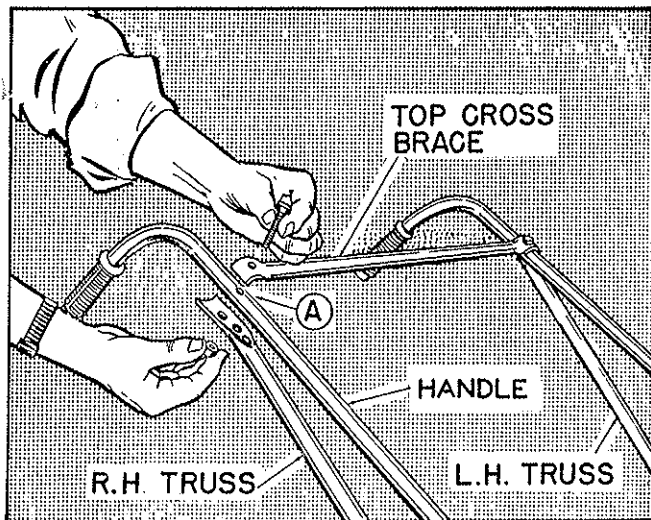


Figure 1

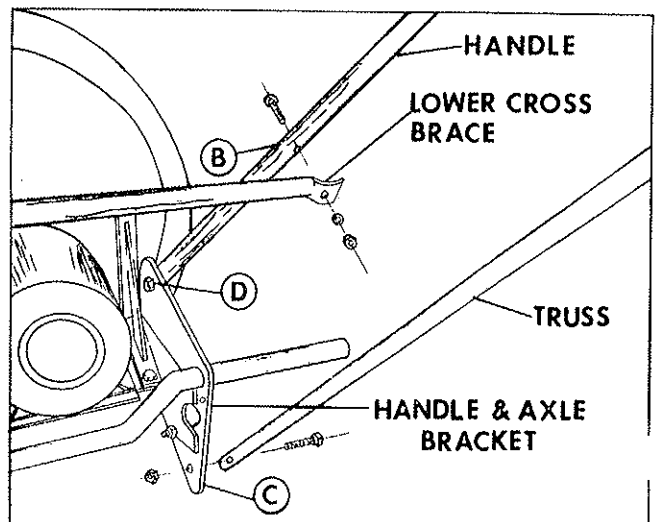


Figure 2

ASSEMBLY INSTRUCTIONS

PV-16802-E & EX (cont'd)

7. Now tighten all bolts and nuts on the handle assembly per Figs. 1, 2 and 5. Do not tighten bolts and nuts to the extent of collapsing the tubes.
8. Ref. Fig. 3 (PV-16802-E only) Next attach the switch and bracket assembly Ref. Nos. 12 and 19 to the handle Ref. No. 3 up close to the cross brace Ref. No. 1, with the two "U" bolts and nuts Ref. Nos. 10 and 8.
9. Now slip the hanger Ref. No. 7 over the cable Ref. No. 5 then over the handle Ref. No. 3 and fasten with bolt and nut Ref. No. 6 and 8, locate Ref. No. 7 hanger where most convenient on handle Ref. No. 3.
10. Ref. Fig. 6 - Assemble the Spin-Pak Ref. No. 26 to the Blower Housing Ref. No. 5 by slipping the ring over the Housing neck in the position shown. Line up the holes and insert (2) 1/4-20 x 5/8 bolts Ref. No. 15 and (2) 1/4-20 x 3/4 bolts Ref. No. 25 assemble washers and nuts Ref. No.'s 3 and 24 to bolts. "DO NOT TIGHTEN". Next "CENTER UP" Spin-Pak and tighten top bolt. Next press ring around the Housing on the sides and tighten the side bolts, finally tighten the bottom bolt.
11. Ref. Fig. 5 - Attach the dust bag to the sweeper by placing the loops over the handles and attaching the hooks Ref. No. 10 to the bag straps, then hooking them over the lower cross brace Ref. No. 11. Now slip the neck of the dust bag over the deflector assembly Ref. No. 26 in Fig. 6 until you can pull the tie strap tight around the housing neck just behind the bead on the deflector ring.
12. Ref. Fig. 6 - The Intake Housing Ref. No. 17 should be attached to the front of the Blower Housing by inserting the hinge boss behind the hinge rod on the Front Cover Ref. No. 27. Next swing the Intake Housing Ref. No. 17 until the slot fits over the adjusting screw and can be locked in place by tightening knob Ref. No. 13.

OPTIONAL ACCESSORIES

- BAG PLATFORM (Stock No. 66-207-C). Easily installed platform supports bag when filled with heavy load. (Not available for Battery Model.)
- MAGNETIC ROD KIT (Stock No. 64-59-D). Assembles to intake housing. Attracts metal objects. Adjustable. (Available for 30" intake housing only.)
- RUBBER ROLLER KIT (Stock No. MA-209-D). Extra-wide roller recommended primarily for turf sweeping. Adjusts for hard surfaces.
- SCRAPER BRUSH KIT (Stock No. 64-58-D). Installs inside rear of intake housing. Loosens debris which adheres to surface. (Available for 30" intake housing only.)

ALWAYS GIVE THE FOLLOWING INFORMATION WHEN ORDERING REPAIR PARTS:

IMPORTANT

1. PART NUMBER (Not Ref. No.)
2. QUANTITY NEEDED
3. DESCRIPTION OF PART
4. MODEL No. PV-16802-E OR EX

If unable to obtain parts locally, write down above information and send to:
PARKER SWEEPER CO., BOX 720, SPRINGFIELD, OHIO 45501
Your unit is right hand (R.H.) or left hand (L.H.) as you stand behind it.

OPERATING INSTRUCTIONS

PV-16802-E & EX

1. **KEEP FILTER BAG CLEAN.** The efficiency of this unit partly depends on the breathing capabilities of the dust bag. On extremely dusty jobs, empty bag often. Never allow debris to remain in bag after use. When cleaning shake bag vigorously to remove the dust from the pores of the fabric. It is also suggested that after the bag is emptied, place it on the machine and with the zipper open, run motor to clean the pores.
2. Make sure bag is in place when starting and stopping motor.
3. Your Vac-35 is equipped with a front adjustable caster which will provide any height adjustment of intake housing that may be desired, within a practical range. Adjustment for the Intake Housing height is made by screwing the caster Ref. No. 20 in or out of the Bracket Ref. No. 18 then locking with lock nut Ref. No. 19, Fig. 6.
4. Your Vac-35 will handle most common kinds of debris found around industrial plants, commercial buildings, homes and farms. Acid contaminated materials, magnesium, dust and other **DANGEROUS** debris that is considered hazardous should not be handled with Vac-35 unless approved by a regulating authority considered to be an expert in the handling of such hazardous materials.
5. **DO NOT WORK ON VAC-35 repairs or changing of attachments with motor running, detach cord.**
6. Never walk away from the machine with the motor running.
7. **LUBRICATION.** Lubricate the bearings and wheel axle on the caster once a week if used daily.

MOTOR MOUNTING ASSEMBLY

PV-16802-E

Ref. Fig. 4 - The Electric Parker Vac-35 is equipped with a 2 HP (OPEN TYPE) motor wired for 220/440 Volts, 50/60 Cycle, 3 Phase 4 Wire System. One lead is grounded for safety purposes. The motor operates at a constant speed of 3475 RPM and is not variable. The unit is to be used for non-abrasive dust and light litter of a soft or non-rigid type, in areas where gasoline-powered or Liquified Petroleum powered models are prohibited or undesirable because of fumes, etc., or where the noise level of internal combustion engines would be objectionable. Due to the very fast fan speed, abrasive dusts, sand, gravel, small hard objects such as metal parts, chips or wood blocks must be avoided or fan and blower housing will suffer severe damage. Typical applications would be food and drug processing plants.

CAUTION: All electrical cord and outlets should meet local and national electrical codes.

For extension cord up to 50 Ft. in length use No. 16 wire.

For extension cord up to 100 Ft. in length use No. 12 wire.

IMPORTANT - It is important that the direction of the Vac-35 Impeller rotation be checked on this machine. Looking directly at the impeller from the front of the machine, it should turn counter clockwise.

This unit is powered with a 220/440 volt, 3 phase (OPEN TYPE) motor and its direction of rotation is determined by the sequence of the phase connections. This unit leaves the factory properly wired for 220 current and a standard sequence. If your power connections are not standard, it will be necessary to inter-change any TWO of the three lead connections 1,2 and 3 on the motor to obtain the corrective direction of rotation. Your power company can assist you in the determination of the phase sequence.

MOTOR MOUNTING ASSEMBLY

PV-16802-EX

Ref. Fig. 4A - This electric Parker Vac-35 is equipped with a 2 HP underwriter's laboratory approved EXPLOSION PROOF motor 220-440 VOLT 3 PHASE 50/60 CYCLE and switch for class 1 group D and class 2 groups F and G classifications. These classifications cover the applications listed as follows:

GASEOUS LOCATIONS

Gaseous locations such as gasoline refineries, paint and varnish plants, dry cleaning plants, or wherever the gas encountered is not more hazardous than high-test gasoline vapor.

EXPLOSIVE DUST

Areas containing explosive dust from coal, coke, carbon black or other materials.

EXPLOSIVE GRAIN DUST

Applications in grain elevators, feed mills, flour mills or other locations where the atmosphere contains explosive grain dust.

The motor is wired for 220-440 Volts 50/60 cycle 3 phase system with wiring into the on/off switch which is mounted on the unit. All electrical cord and outlets used in opera-

ting this Vac-35 should meet local and national electrical codes. For operating in explosive environment.

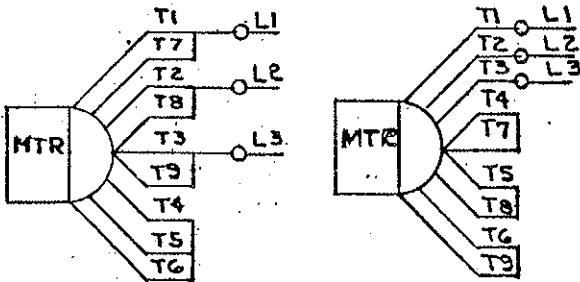
IMPORTANT - It is important that the direction of the Vac-35 Impeller rotation be checked on this machine. Looking directly at the impeller from the front of the machine, it should turn counter clockwise.

This unit is powered with a 220/440 volt, 3 phase motor and its direction of rotation is determined by the sequence of the phase connections. This unit leaves the factory properly wired for a 220 current and a standard sequence. If your power connections are not standard, it will be necessary to interchange any TWO of the three lead connections 1, 2 and 3 on the motor to obtain the corrective direction of rotation. Your power company can assist you in the determination of the phase sequence.

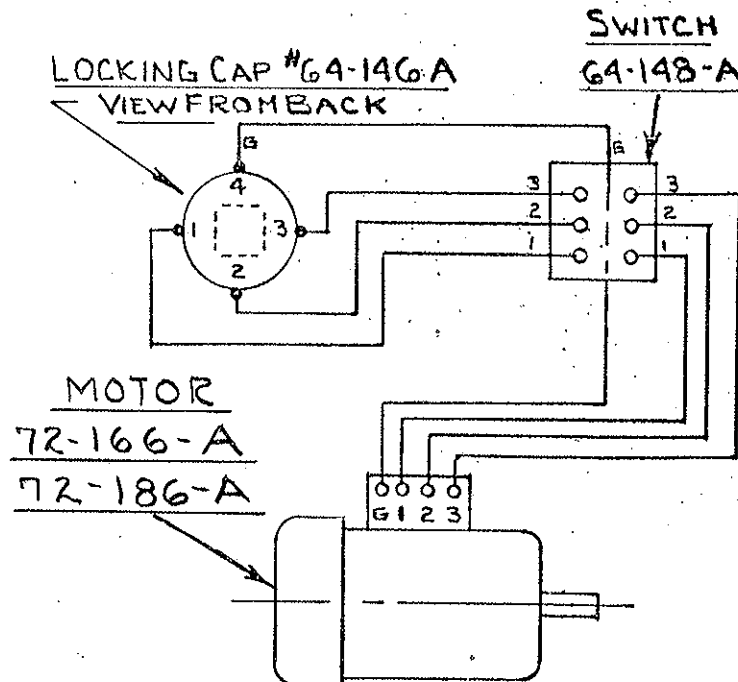
CAUTION: All electrical cord and outlets should meet local and national electrical codes. For extension cord up to 50 Ft. in length use No. 16 wire. For extension cord up to 100 Ft. in length use No. 12 wire.

WIRING DIAGRAM for PV-16802-E & EX

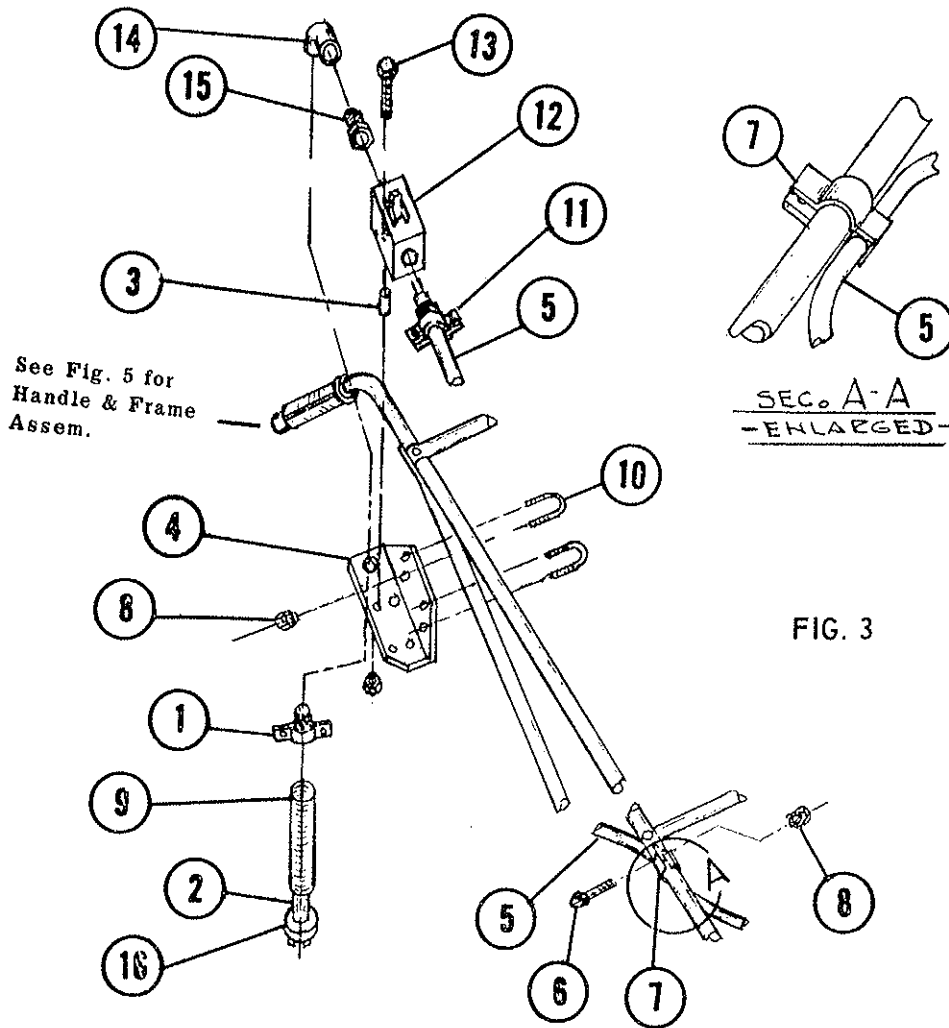
3 PHASE DUAL VOLTAGE



LOW VOLTAGE 220 HIGH VOLTAGE 440



SWITCH ASSEMBLY
FOR PV-16802-E ONLY



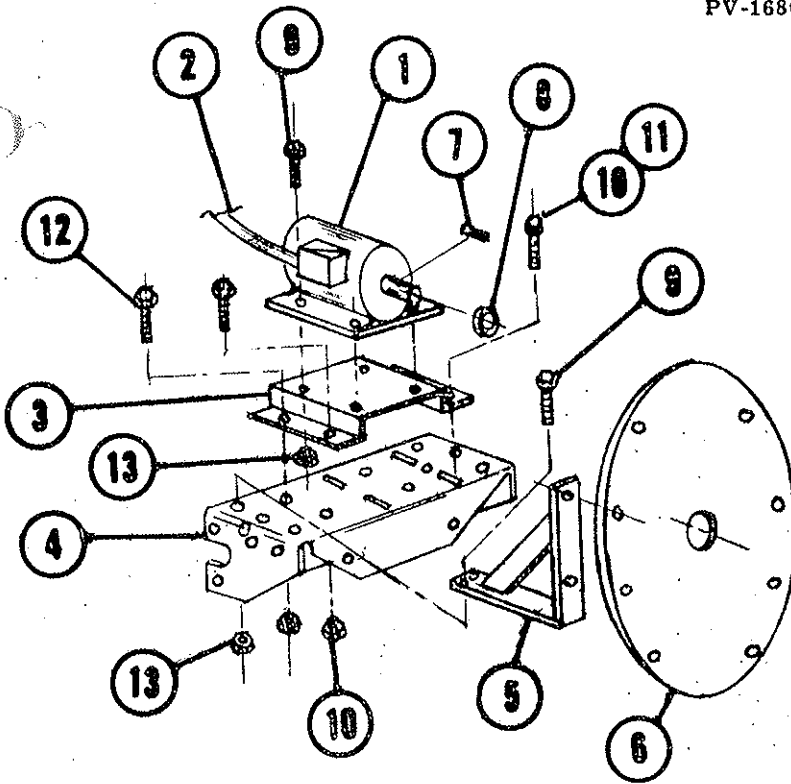
PARTS LIST

Ref. No.	Part No.	Qty Per Unit	Description
1	63-13-A	1	Connector TB 3312 Two Screws
2	64-143-A	1	Cord 14/4 Type Co Neoprene 20' Lg.
3	63-219-A	4	Spacer
4	66-396-A	1	Switch Mounting Brkt
5	64-142-A	1	Cord 14/4 Type So Neoprene 52' Lg.
6	65-416-16	1	Bolt - Hex Hd. 1/4-20 x 1
7	63-23-A	1	Hanger Type O Size 1/2
8	365-416	8	Nut - Hex Lock 1/4-20
9	64-130-A	1	Spring Wire
10	66-378	2	'U' Bolt
11	33-12-A	1	Connector TB 3302 Two Screws
12	64-148-A	1	Switch 3 Pole With Box & Cover
13	65-416-20	4	Bolt - Hex No. 1/4-20 x 1 1/4
14	66-379-A	1	Elbow Female 1/2-90°
15	7-17-A	1	T&B No. 842 Rigid Conduit Fitting
16	64-146-A	1	4-Wire Polarized Locking Cap

MOTOR MOUNTING ASSEMBLY

PV-16802-E

Figure 4
PARTS LIST



Ref. No.	Part No.	Qty. Per Unit	Description
1	72-166-A	1	Motor
2	64-442-A	1	Cable
3	72-165-C	1	Sub-Plate-Motor Base
4	71-98-D	1	Motor Mounting Brkt. Weld
5	72-164-C	2	Brkt. Weldment-Motor Base
6	72-161-C	1	Back Plate
7	61-65-A	1	Key 3/16 Sq. x 1 1/4 Lg.
8	72-163-A	1	Spacer
9	65-416x12	6	Bolt-Hex Hd. 1/4-20x3/4
10	365-516	4	Nut-Hex Lock 5/16-18
11	65-616-16	2	Bolt-Hex Hd. 3/8-16x1
12	65-516x16	2	Bolt-Hex Hd. 1/4-20x1
13	365-416	8	Nut-Hex Lock 1/4-20

FIG. 4

MOTOR MOUNTING ASSEMBLY

PV-16802-EX

Figure 4A
PARTS LIST

Ref. No.	Part No.	Qty. Per Unit	Description
1	72-166-A	1	Motor
2	72-170-A	1	Switch Exp. Proof
3	72-165-C	1	Sub-Plate-Motor Base
4	71-98-D	1	Motor Mounting Brkt. Weld
5	72-164-C	2	Brkt. Weldment-Motor Base
6	72-161-C	1	Back Plate
7	61-65-A	1	Key 3/16 Sq. x 1 1/4 Lg.
8	72-163-A	1	Spacer
9	65-416x12	6	Bolt - Hex Hd. 1/4-20 x 3/4
10	365-516	4	Nut - Hex Lock 5/16-18
11	65-616-16	2	Bolt - Hex Hd. 3/8-16 x 1
12	65-516-16	2	Bolt - Hex Hd. 1/4-20 x 1
13	365-416	8	Nut - Hex Lock 1/4-20

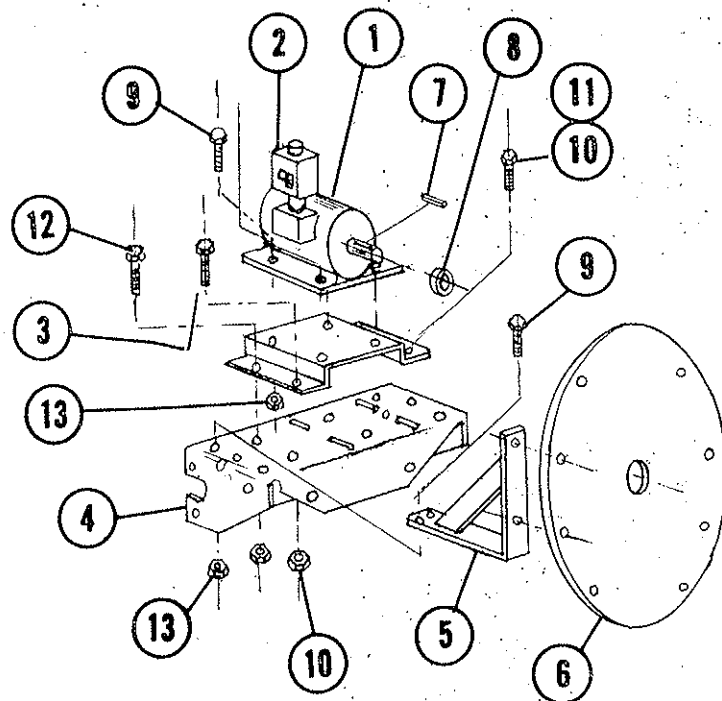


FIG. 4A

HANDLE & FRAME ASSEMBLY

PV-16802-E & EX

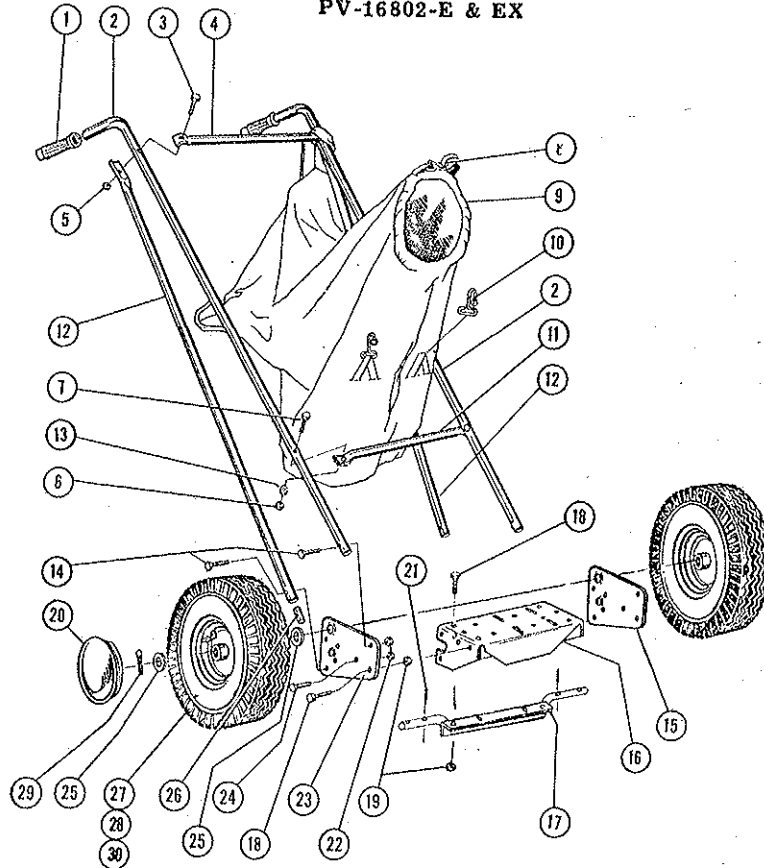


FIG. 5

Ref. No.	Part No.	Qty. Per Unit	Description
1	61-26-A	2	Grip Handle
2	65-03-B	2	Handle
3	65-416-20	2	Bolt - Hex Hd. 1/4-20 x 1 1/4
4	61-12-B	1	Bar - Cross Upper
5	364-416	2	Nut - Hex Lock Thin 1/4-20
6	335-416	2	Nut - Reg. Hex 1/4-20
7	69-416-20	2	Bolt-Cont. Hd. 1/4-20 x 20
8	63-274-A	1	Strap-Assem. Bag. SA-794-B
9	MA-218-A	1	Bag-Dust MA-419-1
10	63-304-A	2	Hook-Bag
11	61-11-B	1	Bar-Cross Lower
12	61-18-RC	2	Truss-Handle
13	936-416	2	Washer-Int. Tooth 1/4
14	65-516-20	4	Bolt - Hex Hd. 5/16-18 x 1 1/4
15	64-61-EC	1	Brkt. Handle & Axle L.H. 73-231-CC
16	71-98-D	1	Motor Mounting Brkt. Weld.
17	71-99-C	1	Axle - Angle Weld.
18	65-416-12	6	Bolt - Hex Hd. 1/4-20-3/4
19	365-416	6	Nut - Hex Lock 1/4-20
20	69-416-A	2	Cap - Hub For Tubless Tires
21	69-65-A	2	Pin-Roll 1/8 Dia. x 1 71-06-A
22	365-516	8	Nut - Hex Lock 5/16-18
23	64-60-RC	1	Brkt. Handle-Axle R.H. 73-230-RC
24	65-516-12	4	Bolt - Hex Hd. 5/16-18 x 3/4
25	945-1216	4	Washers - Flat S.A.E. 3/4
26	61-13-A	4	Insert - Handle 75-30-A
27	68-447-B	2	Wheel For Tubeless Tire
28	68-312-A	2	Tire - Tubeless
29	380-432-20	2	Pin Cotter 1/8 Dia. x 1 1/4
30	68-313-A	2	Valve For Tubeless Tire

HOUSING UNIT ASSEM.
PV-16802-E & EX

NOTE:

The Anti-Wrap Segments, Ref. No. 4, go on the inside of the Blower Housing, Ref. No. 5. They are shown on the outside in this picture for ease of identification.

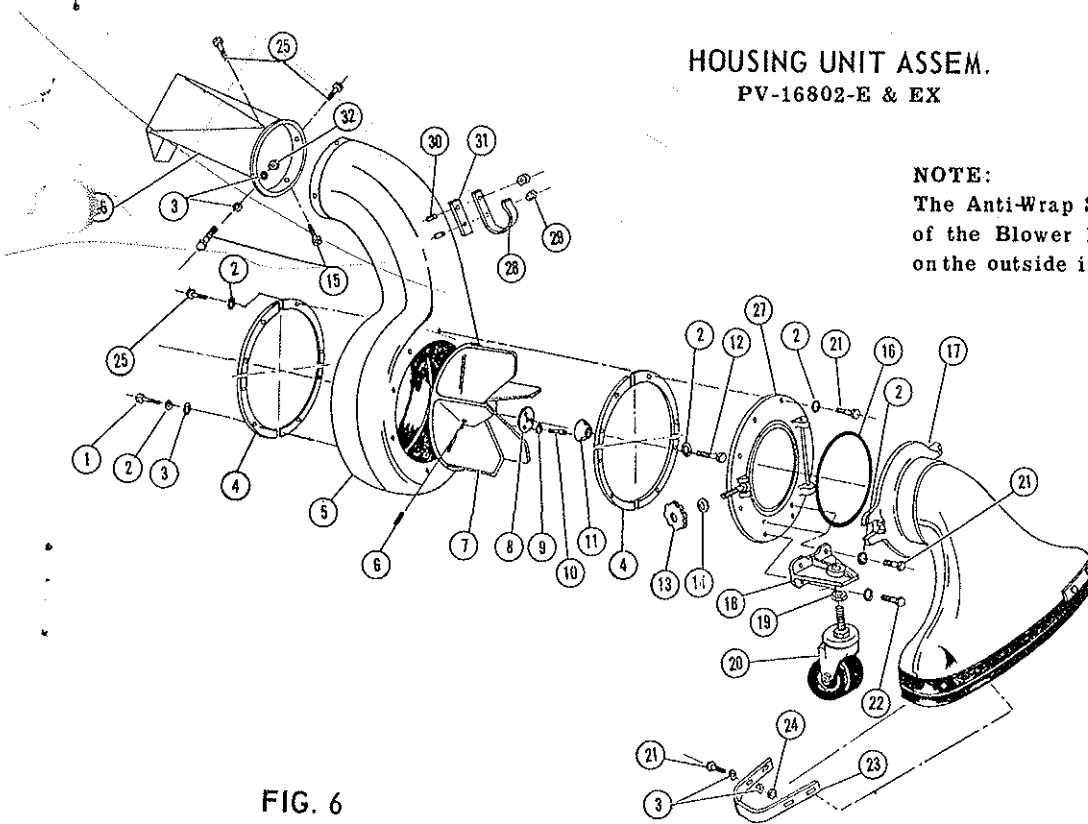


FIG. 6

Intake Housings also available in 24" MA-113-D and 36" MA-120-D.

PARTS LIST

Ref. No.	Part No.	Qty Per Unit	Description
1	65-416-28	2	Bolt-Hex Hd. 1/4-20 x 1 3/4
2	935-416	18	Washer-Spring Lock 1/4
3	945-416	24	Washer-Flat SAE 1/4
4	64-78-C	8	Anti-Wrap Segments
5	70-103-F	1	Housing Blower Assem.
6	564-C-516-16	1	Screw-Set 5/16-18x1
7	72-162-C	1	Fan
8	63-10-A	1	Plate Retainer
9	936-416	3	Washer - Int. Tooth 1/4
10	524-416-12	3	Screw Soc. Hd. Cap 1/4-24 x 3/4
11	61-10-A	1	Retainer - Cap
12	64-26-A	1	Bolt - Hex Hd. 5/16-24-2 1/2
13	69-47-B	1	Knob-Adjusting
14	945-816	1	Washer - Flat SAE 1/2
15	65-416-10	2	Bolt - Hex Hd. 1/4-20 x 5/8
16	63-190-A	1	"O" Ring
17	MA-146-D	1	30" Intake Housing MA-251-D
18	66-430-C	1	Bracket - Caster
19	340-1216	1	Nut - Hex Jam 3/4-10
20	64-71-A	1	Caster
21	65-416-16	20	Bolt - Hex Hd. 1/4-20 x 1
22	65-416-20	2	Bolt - Hex Hd. 1/4-20 x 1 1/4
23	67-54-C	2	Guard - (Plastic coated)
24	365-416	10	Nut - Hex Lock 1/4-20
25	65-416-12	8	Bolt - Hex Hd. 1/4-20 x 3/4
26	66-448-B	1	Deflector Weldment SA-1413-C
27	63-225-D	1	Front Cover Assem. SA-1389-D
28	63-143-C	1	Cable Hook
29	364-416	2	Nut - Hex Lock Thin 1/4-20
30	70-416-12	2	Bolt - Carriage 1/4-20-3/4
31	63-175-A	1	Washer Plate
32	364-416	4	Nut-Hex Lock (thin) 1/4-20

