

# Instruction Sheet

## Kit Number: 7922200

### OPERATOR-CONTROLLED DISCHARGE BAFFLE KIT



**WARNING: FAILURE TO FOLLOW INSTRUCTIONS** could result in personal injury and/or damage to unit.

Read, understand, and follow all safety practices in Operator's Manual before beginning.

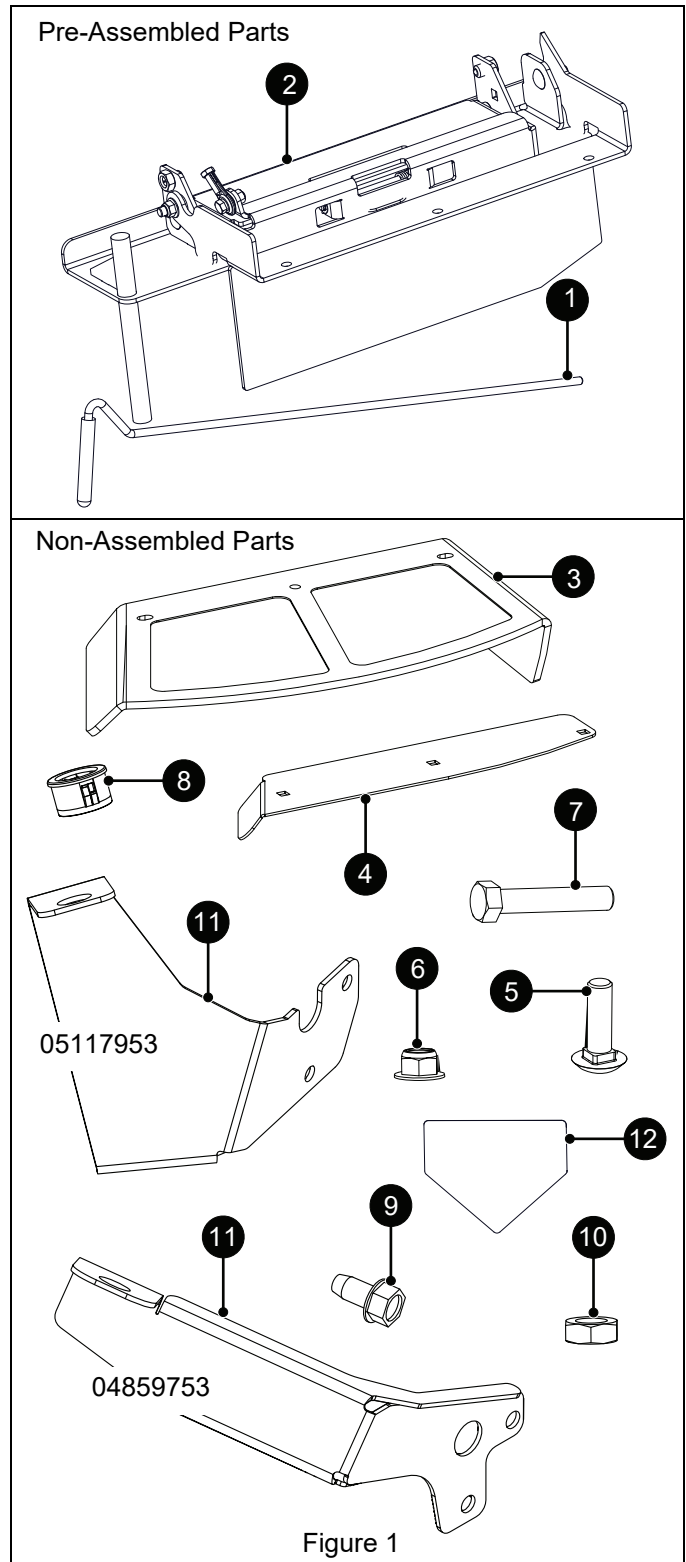
**NOTICE:** Kit instructions are for Gravely Pro-Turn and Pro-Turn 100, 200 and 400 models.

#### Package Contents

Check the contents of your kit for the parts listed below Also see Figure 1.

Item	Description	Qty	Ariens P/N
<b>Pre-Assembled Parts</b>			
1	Handle Assembly	1	See <i>Parts List</i> on page 5.
2	Discharge Chute Assembly	1	
<b>Non-Assembled Parts</b>			
3	Rubber Discharge Chute	1	04881200
4	Chute Clamp Plate	1	09362351
5	3/8"-16 x 1 1/4" Round Head Square Neck Bolt	3	06200236
6	3/8"-16 Nylon Locking Flange Nut	4	06500726
7	3/8"-16 x 2" Hex Bolt	1	05901718
8	Panel Bushing	1	07500126
9	3/8"-16 x 3/4" Tapping Screw	2	07400129
10	5/16"-24 Jam Nut	1	06500923
11	Handle Bracket (For use on Pro-Turn & Pro Turn 100 Models)	1	05117953
	Handle Bracket (For use on Pro-Turn 200 & Pro-Turn 400 Models)	1	04859753
12	Danger Decal	1	02988100

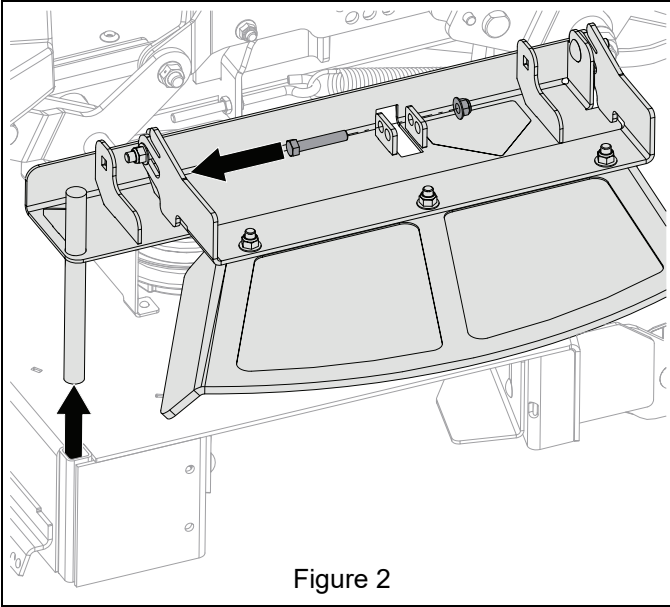
**IMPORTANT:** All references to the left, right, front or rear are given from the perspective of the operator in the operator's position, facing the direction of forward travel.



**NOTICE:** See *Parts List* on page 5 for a full list of parts.

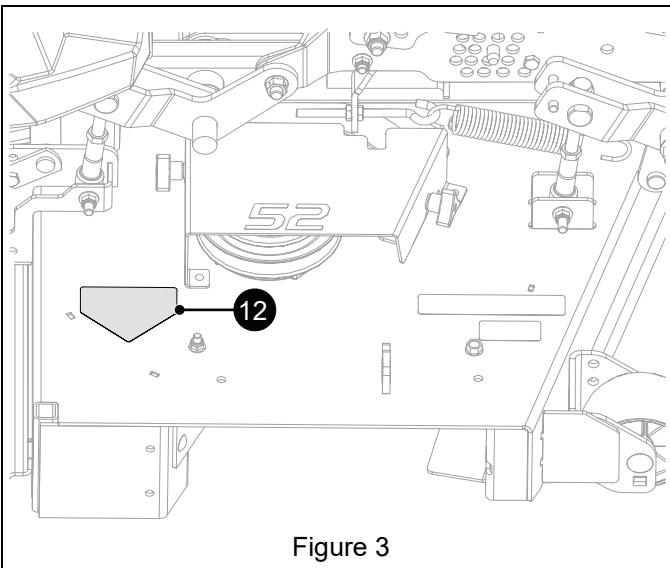
## REMOVAL

1. Park unit on a flat, level surface and engage parking brake.
2. Stop engine, remove key and wait for all moving parts to stop and for hot parts to cool.
3. Remove hardware retaining discharge chute assembly and remove chute assembly. Retain for use without chute kit. See Figure 2.

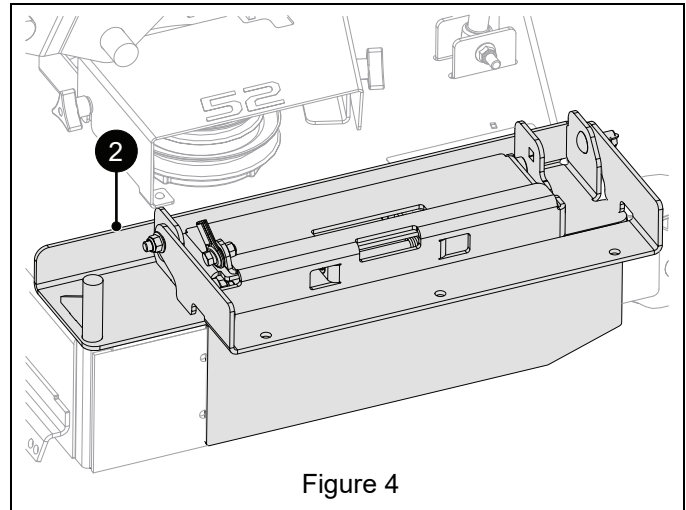


## INSTALLATION

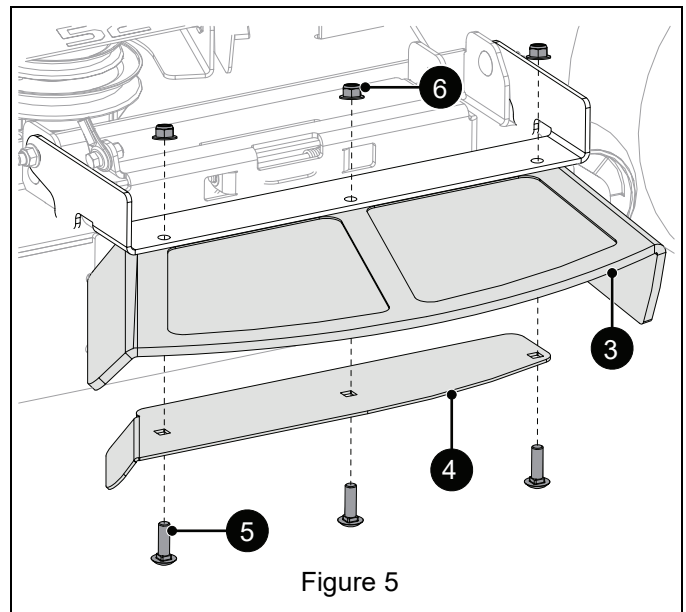
1. Thoroughly clean deck surface and install danger decal (item 12) on deck across from existing deck safety decals. See Figure 3 for decal mounting location.



2. Install discharge chute assembly (item 2) onto deck. See Figure 4.



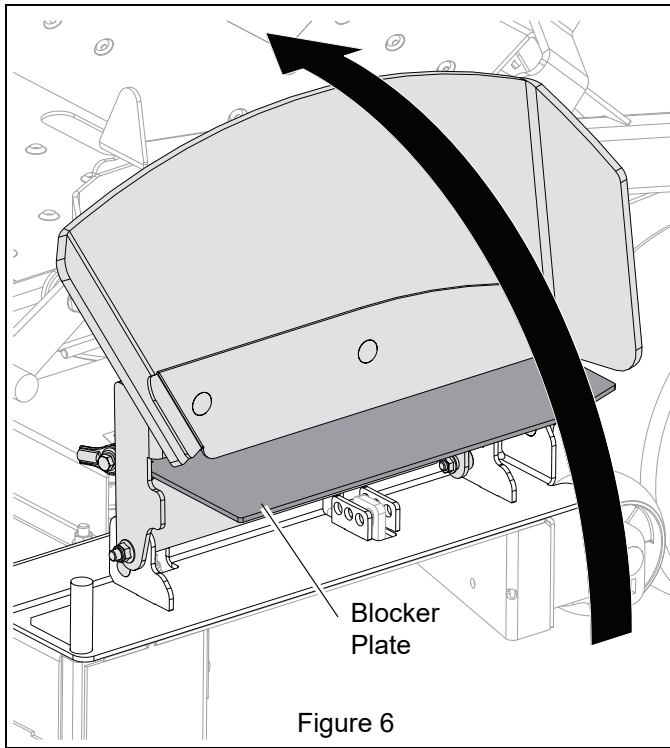
3. Secure rubber discharge chute (item 3) and chute clamp plate (item 4) to the mounting bracket using three 3/8" nylon locking flange nuts (item 6) and three 3/8" x 1 1/4" round head square neck bolts (item 5). See Figure 5.





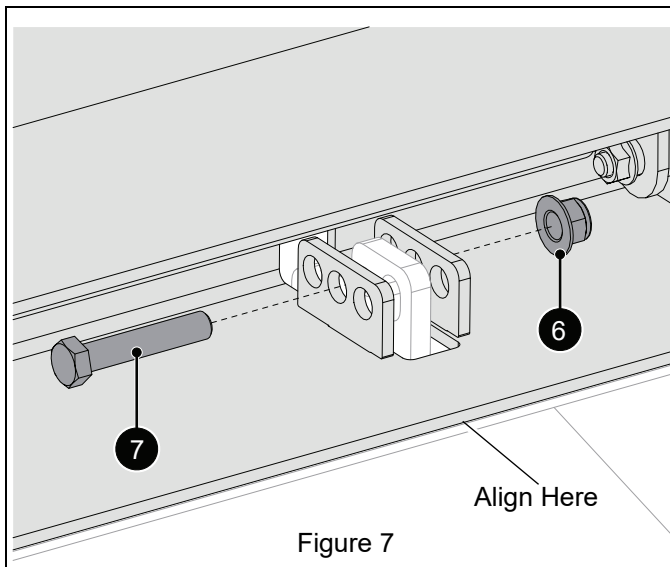
**CAUTION: AVOID INJURY.** Blocker plate is under spring tension. Use care when rotating blocker plate.

4. Rotate discharge chute and blocker plate upward. See Figure 6.



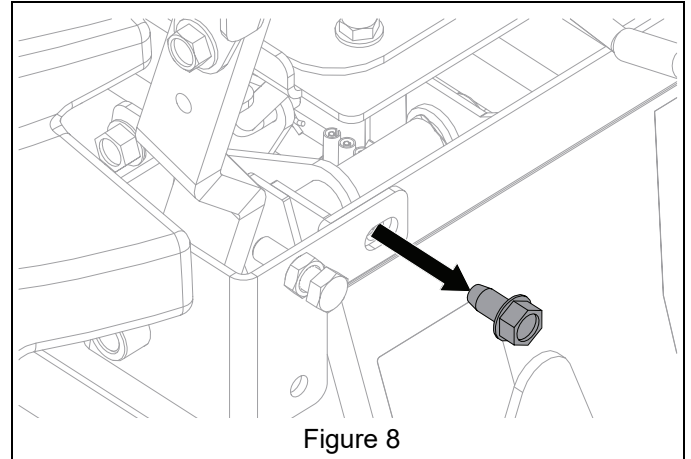
See Figure 7.

5. Align chute assembly edge with discharge opening.
6. Insert one 3/8" x 2" hex bolt (item 7) through aligning holes and secure with one 3/8" nylon locking flange nut (item 6).



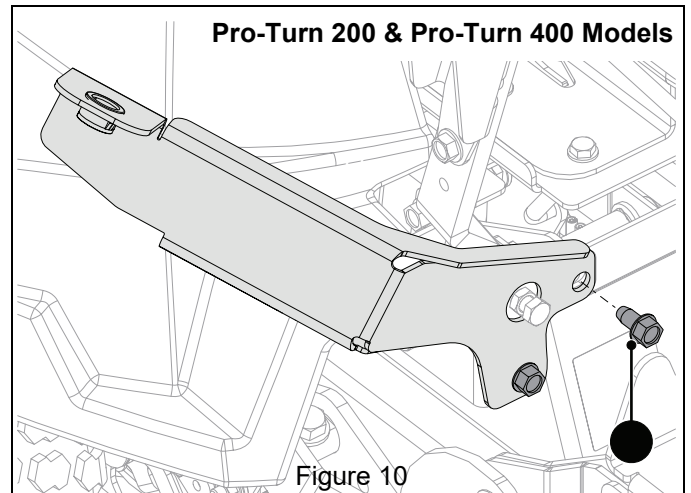
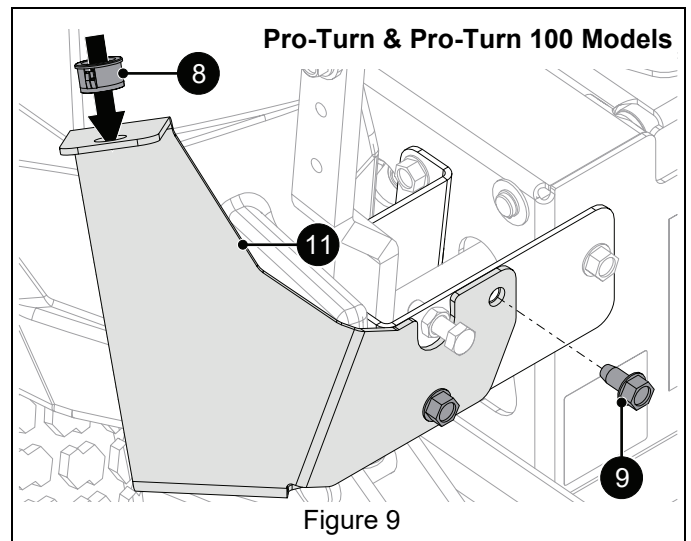
7. Return chute assembly to operating position.

8. Remove tapping screw retaining front of steering lever pivot bracket. Retain for use without OCDC kit. See Figure 8.



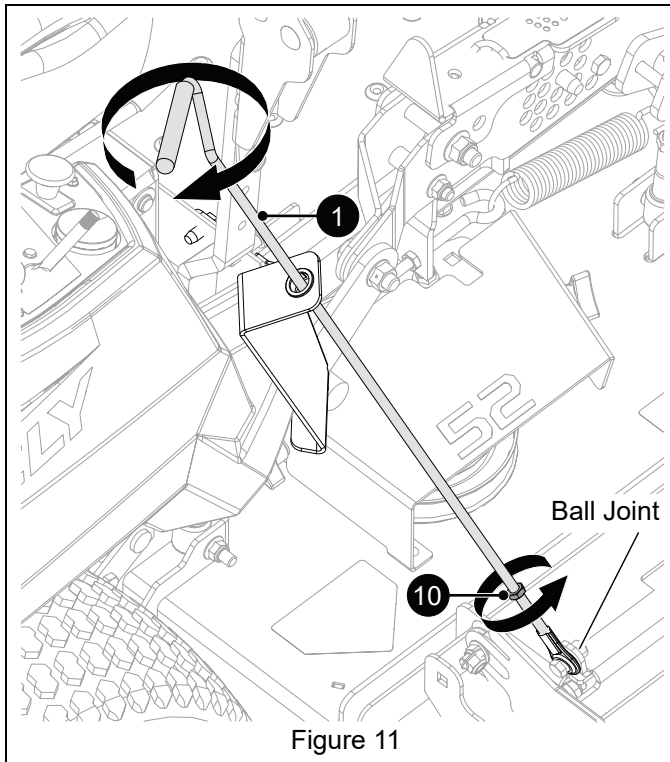
See Figure 9 and Figure 10.

9. Secure handle bracket (item 11) to steering lever pivot bracket with two 3/8" x 3/4" tapping screws (item 9).
10. Insert panel bushing (item 8) into handle bracket.

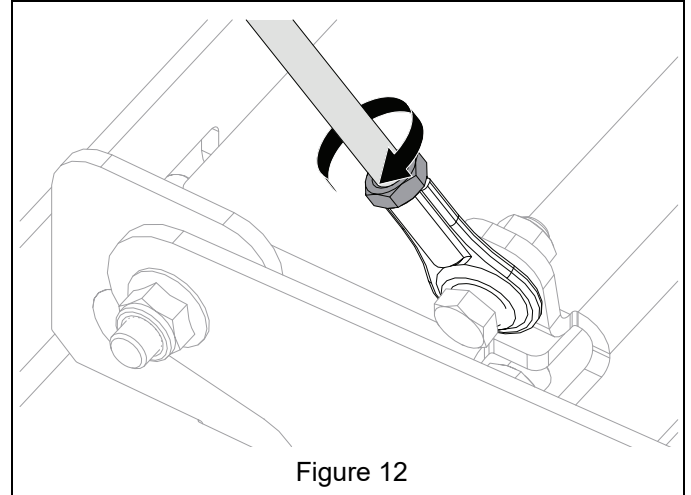


See Figure 11.

11. Insert handle assembly (item 1) through handle bracket and into ball joint.
12. Turn jam nut (item 10) up handle threads and turn handle clockwise into ball joint. Turn until at least half of the handle threads are seated in ball joint.



13. Sit in seat and rotate handle to a preferred height and position.
14. Tighten jam nut against ball joint. See Figure 12.



15. Test chute function.

### OPERATION

1. Pull handle up to open discharge opening; push handle down to block discharge opening.

## PARTS LIST

See Figure 13.

Item	Description	Qty	AriensCo P/N
1	OCCDC Base	1	04978151
2	Block-off Hinge	1	04867851
3	Block-off Plate	1	04870651
4	Chute Mounting Bracket	1	04849051
5	Rubber Discharge Chute	1	04881200
6	Chute Clamp Plate	1	09362351
7	5/16"-18 x 1 1/4" Round Head Square Neck Bolt	2	06200310
8	5/16" x 1/2" x 11/16" Bearing Spacer	2	01213100
9	5/16"-18 Center Locking Flange Nut	3	06500840
10	3/8"-16 x 1 1/4" Round Head Square Neck Bolt	7	06200236
11	3/8"-16 Nylon Locking Flange Nut	8	06500726
12	3/16" x 11 1/4" Pin	1	06800123
13	5/16" x 1/32" External Retaining Ring	2	05718300
14	Torsion Spring	1	08300515
15	5/16" RH Thread Ball Joint	1	03787100
16	5/16"-18 x 1" Hex Bolt	1	05901701
17	3/8" x 1/2" x 7/8" x 13/32" Flange Bushing	4	05500435
18	Soft Touch Hand Grip	1	05174400
19	Handle	1	04852700
20	5/16"-24 Jam Nut	1	06500923
21	3/8"-16 x 3/4" Tapping Screw	2	07400129
22	3/8"-16 x 2" Hex Bolt	1	05901718
23	Panel Bushing	1	07500126
24	Handle Bracket (For use on Pro-Turn & Pro Turn 100 Models)  Handle Bracket (For use on Pro-Turn 200 & Pro-Turn 400 Models)	1  1	05117953  04859753
25	Danger Decal	1	02988100
26	1/2"-13 Jam Nut	2	06500911
27	1/2"-13 Ball Spring Plunger	2	07001704

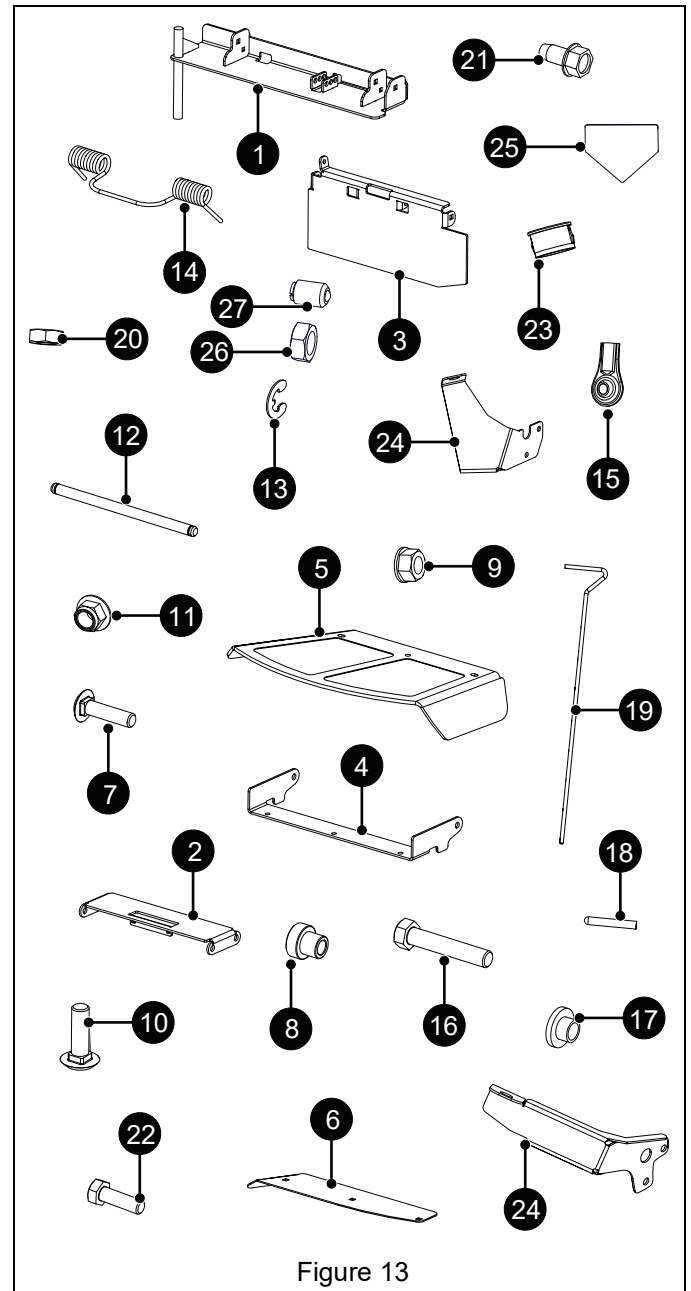


Figure 13