

Instruction Sheet

Kit Number: 79403200

PRO-STANCE 32" MULCH KIT

WARNING: FAILURE TO FOLLOW INSTRUCTIONS could result in personal injury and/or damage to unit.
Read, understand, and follow all safety practices in Operator's Manual before beginning.

Package Contents

Check the contents of your kit for the parts listed below. Also see Figure 1.

Item	Description	Qty	AriensCo P/N
1	32" Front Mulch Weldment	1	05290651
2	5/16"-18 x 3/4" Round Head Square Neck Bolt	2	06200232
3	16 1/4" Mulch Blade	2	05244100
4	5/16"-18 Locking Center Flange Nut	2	06500840

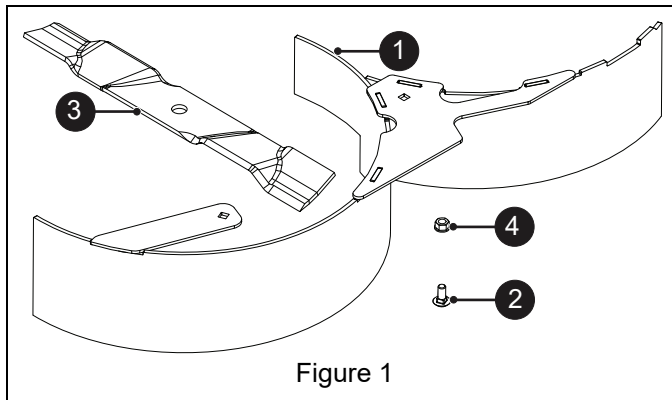


Figure 1

REMOVAL

CAUTION: On multi-blade mowers, rotation of one mower blade will cause all mower blades to rotate.

WARNING: Mower blades are sharp and can cut you. Wrap the blade(s) or wear gloves, and use extra caution when servicing.

1. Stop engine, remove key and engage parking brake. Wait for moving parts to stop and for hot parts to cool.
2. Disconnect spark plug wires.

WARNING: ALWAYS chock wheels and know all jack stands are strong and secure and will hold weight of unit during maintenance.

3. Raise the front of the unit to gain access to the underside of the deck. Securely support the unit.
4. Remove three 5/16" x 3/4" round head square neck bolts and 5/16" locking top flange nuts retaining discharge chute assembly and remove discharge chute. Retain one bolt and nut for reinstallation and the other two for operation without mulch kit. See Figure 2.

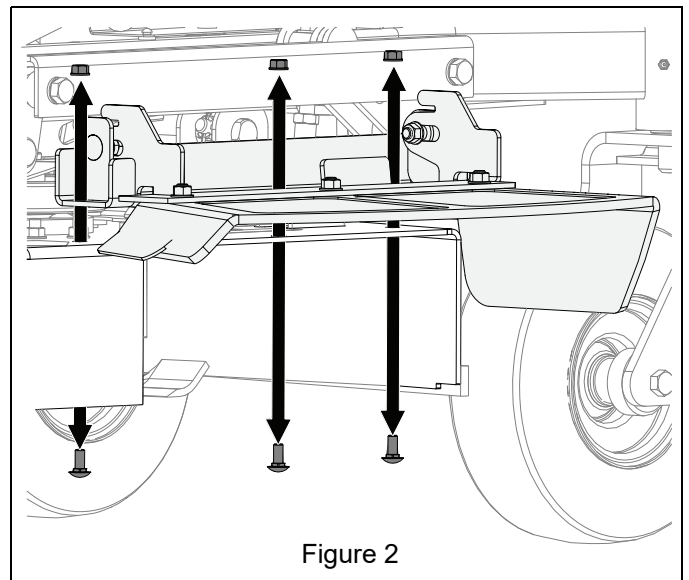
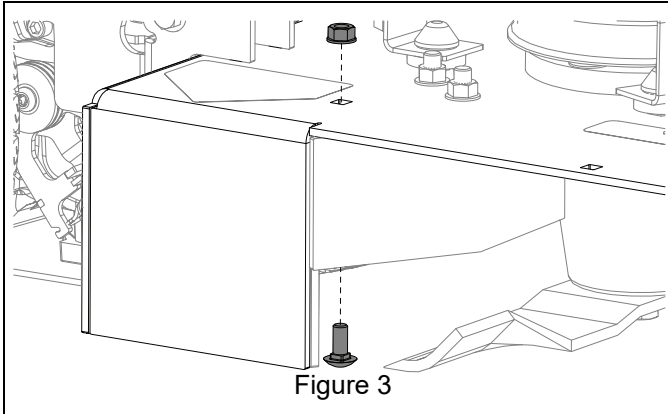
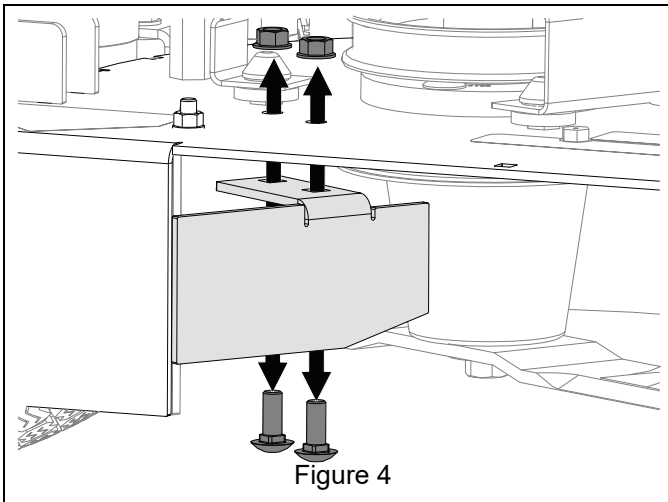


Figure 2

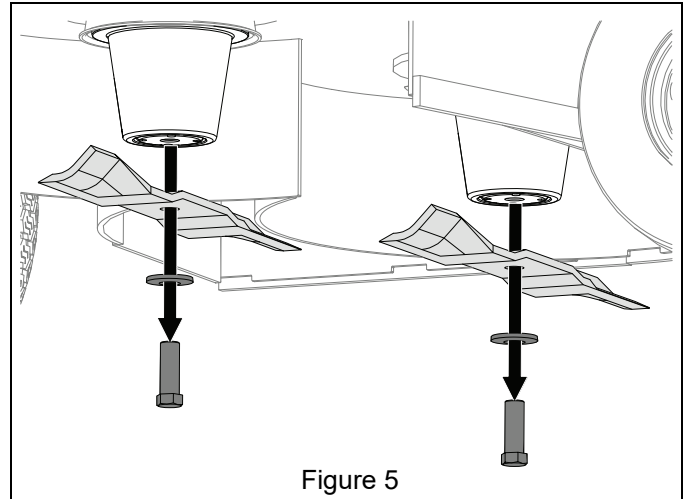
5. Reinstall one 5/16" x 3/4" round head square neck bolt and flanged top lock nut in rear discharge bracket hole. See Figure 3.



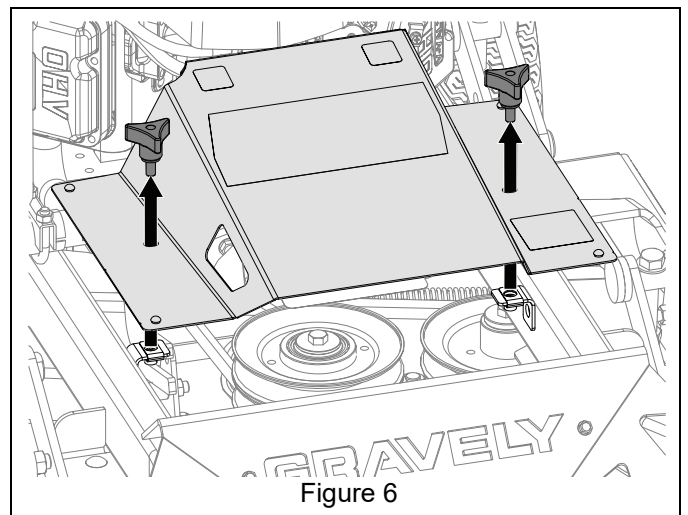
6. Remove two 3/8" x 1" round head square neck bolts and flanged top lock nuts retaining deflector strip and remove deflector strip. Retain all parts for operation without mulch kit. See Figure 3.



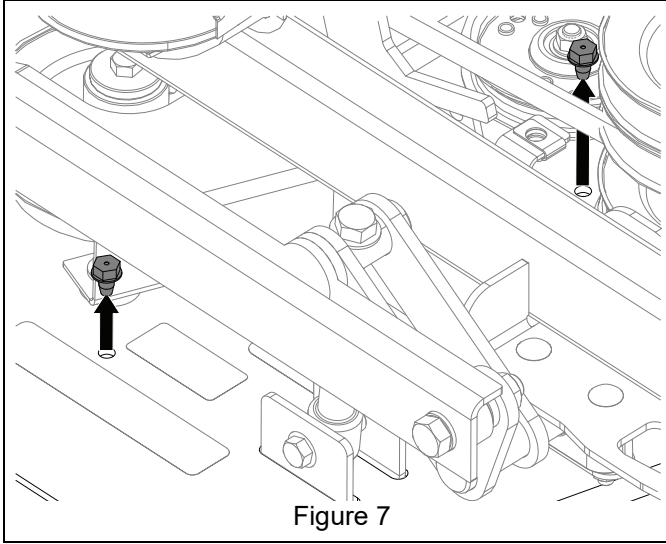
7. Remove two 5/8" x 1 3/4" hex bolts and Belleville washers retaining blades and remove blades. Note orientation of washers. Retain blades for operation without mulch kit. Retain bolts and washers for kit installation. See Figure 5.



8. Remove and retain two wing knobs retaining belt cover and remove cover. See Figure 6.

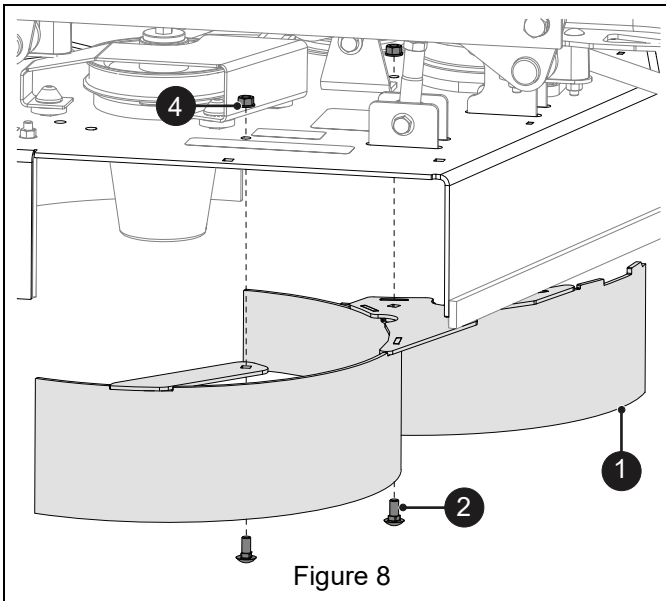


- Remove two 5/16" x 1/2" tapping screws from top of deck. Retain screws for operation without mulch kit. See Figure 6.

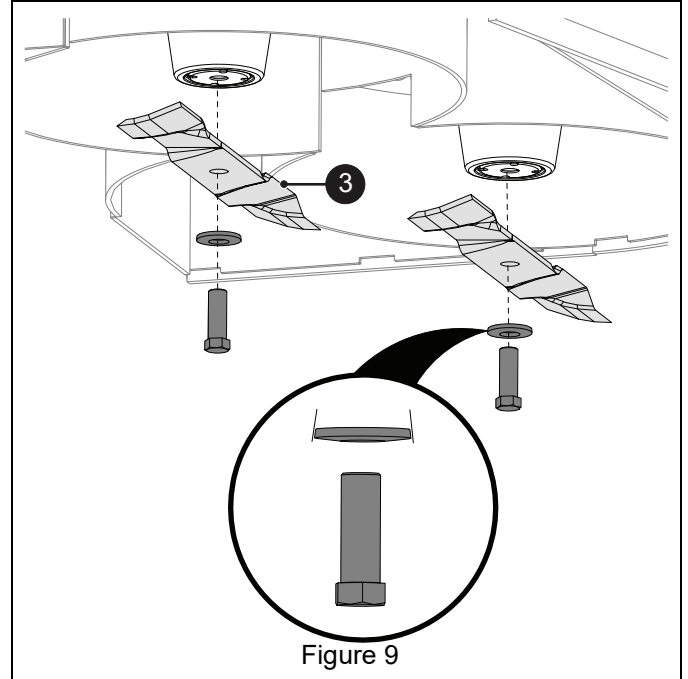


INSTALLATION

- Install mulch baffle (item 1), and retain with two 5/16" x 3/4" round head square neck bolts (item 2) and two 5/16" locking center flange nuts (item 4). See Figure 8.



- Install two mulch blades (item 3) with Belleville washers and hex bolts removed earlier. Ensure that cupped faces of washers face blades. Torque blade bolts to 136 N•m – 163 N•m (100 lb-ft – 120 lb-ft). See Figure 9.



- Reinstall belt cover.
- Return unit to operating position.
- Reconnect spark plug wires.

MULCHING TIPS

- Mow at full throttle.
- Mow at half speed.
- Mow dry grass only. Mowing wet grass causes clumping.
- Keep mower blades sharp.
- Cut no more than 2.5 cm (1") at a time. For tall grass, mow at a higher cutting height, then make a second or third pass with the deck set to the desired cutting height.
- Clean the underside of deck after each mowing.
- DO NOT wash mower with high-pressure sprayer when cleaning deck or mower.