

Instruction Sheet

Kit Number: 79106100

BAGGER ATTACHMENT KIT – 52" DECK

WARNING: FAILURE TO FOLLOW INSTRUCTIONS could result in personal injury and/or damage to unit. Read, understand, and follow all safety practices in Operator's Manual before beginning.

NOTICE: Refer to the bagger Operator's Manual for additional installation instructions.

Package Contents

Check the contents of your kit for the parts listed below. Also see Figure 1.

Item	Description	Qty	Ariens P/N
1	V-Belt	1	07200635
2	Cast Iron Weight	1	00172000
3	1/2-13 x 3" Hex Bolt	2	05959900
4	17/32" Flat Steel Washer	2	06441900
5	1/2-13" Nylon Locking Flange Nut	2	06500010
6	Baffle	1	04589951
7	3/8-16 x 3/4" Hex Bolt	2	05959400

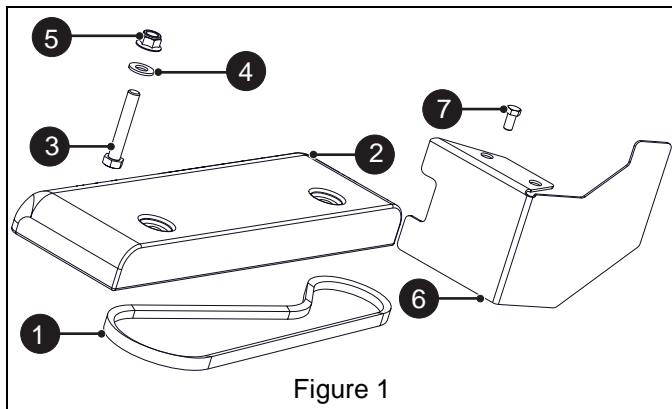


Figure 1

INSTALL COUNTERWEIGHTS

CAUTION: ALWAYS install counterweights before operating unit with bagger attached.

1. From under machine position cast iron weight (item 2) on top of crossmember below footplate. See Figure 2.

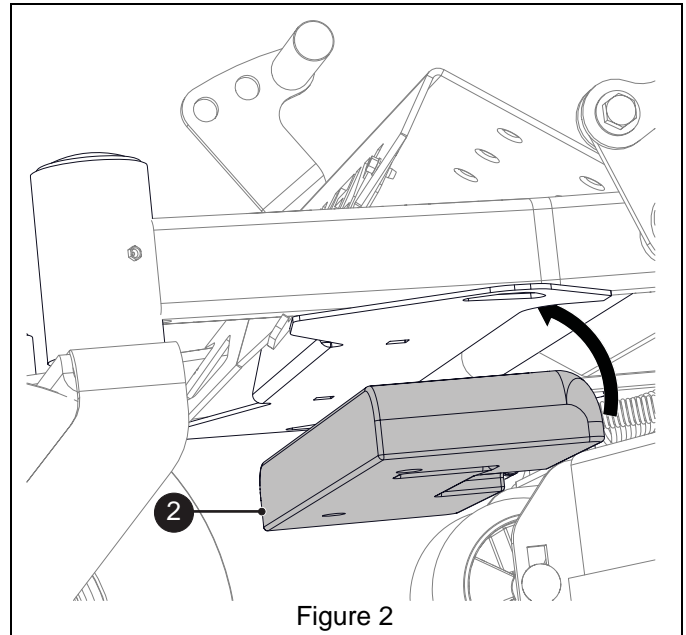


Figure 2

2. Secure weight with two 1/2 x 3" hex bolts (item 3), two flat steel washers (item 4) and two 1/2" nylon locking flange nuts (item 5). See Figure 3.

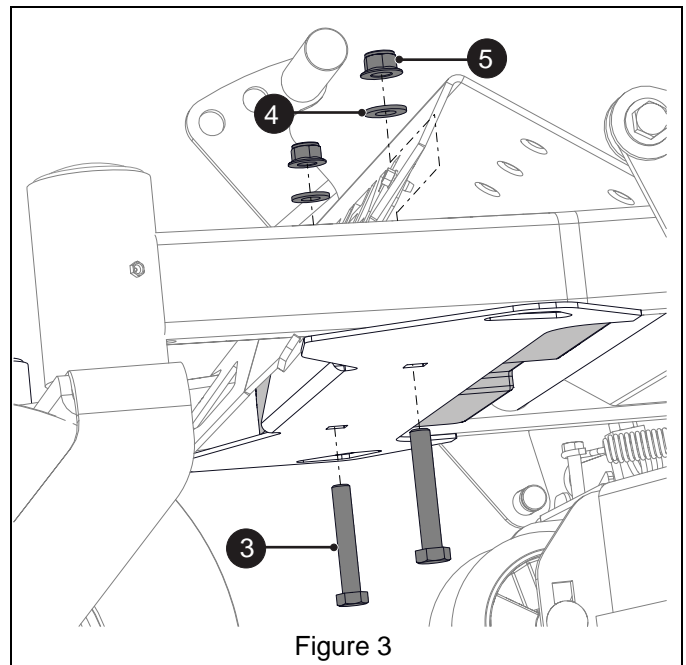
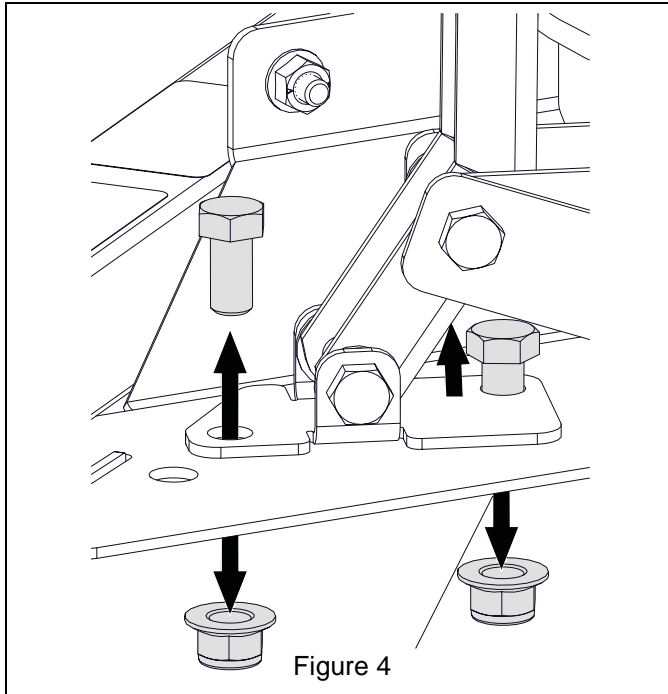


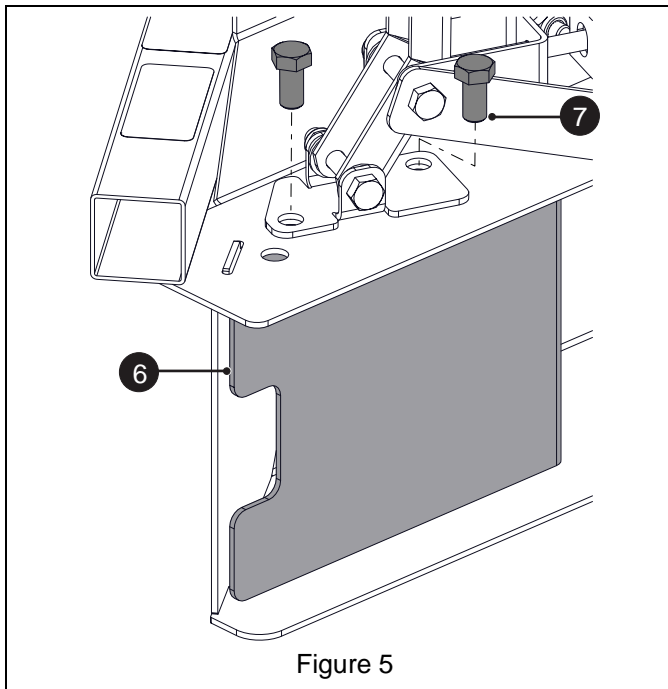
Figure 3

INSTALL FRONT BLOWER BAFFLE

1. Remove and discard hex bolts and nylon locking flange nuts from the idler tensioner lever. See Figure 4.



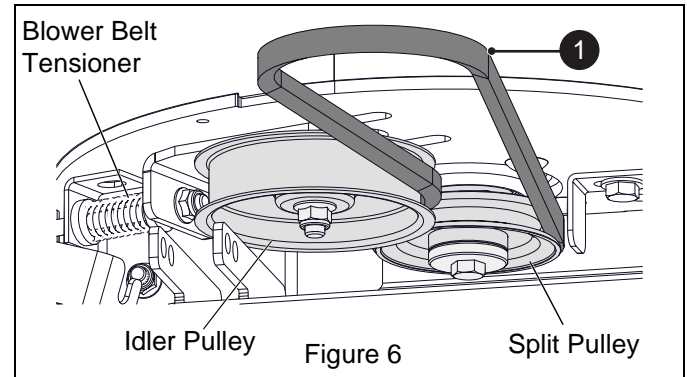
2. Install baffle (item 6) in front of blower housing outlet. Secure with two 3/8 x 3/4" hex bolts (item 7). See Figure 5.



INSTALL V-BELT

See Figure 6.

1. Place blower belt tensioner in released position.
2. Install V-belt (item 1) around split pulley on blower assembly so that back side of belt contacts idler pulley.



3. Place blower belt tensioner in operating position. **IMPORTANT:** Ensure flat side of V-belt contacts idler pulley and the V-side of V-belt contacts split pulley as shown in Figure 7.

