

Instruction Sheet

Kit Number: 79402800

PRO-STANCE LIGHT KIT



WARNING: FAILURE TO FOLLOW INSTRUCTIONS could result in personal injury and/or damage to unit.

Read, understand, and follow all safety practices in Operator's Manual before beginning.

Package Contents

Check the contents of your kit for the parts listed below. Also see Figure 1.

Item	Description	Qty	Ariens P/N
1	Light Mounting Bracket	1	05283653
2	5/16"-18 x 1/2" Tapping Screw	2	07400124
3	LED Light	1	04821101
4	Rocker Switch	1	08973300
5	Male Spade Terminal	1	05297200
6	Female Spade Terminal	1	05297300

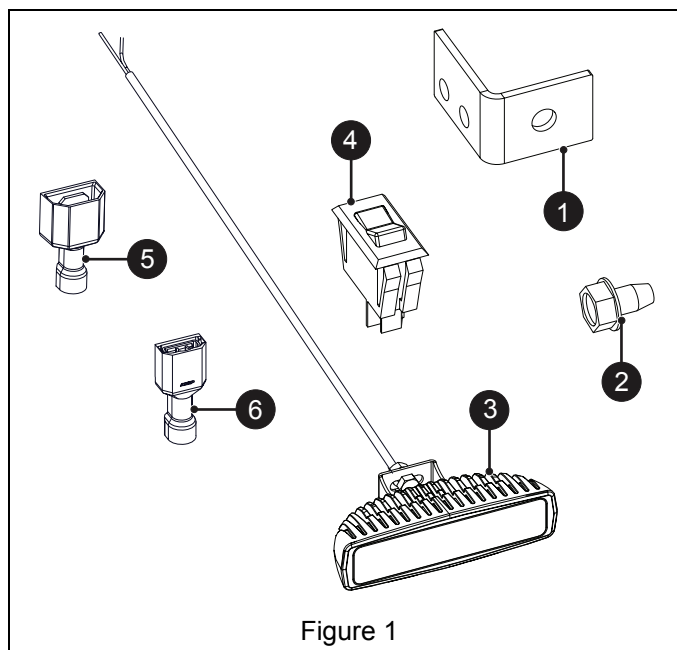


Figure 1

INSTALLATION

1. Stop engine, remove key and engage parking brake. Wait for moving parts to stop and for hot parts to cool.
2. Disconnect negative battery cable.
3. Mount light mounting bracket (item 1) to index bar bracket using two 5/16" x 1/2" tapping screws (item 2). See Figure 2.

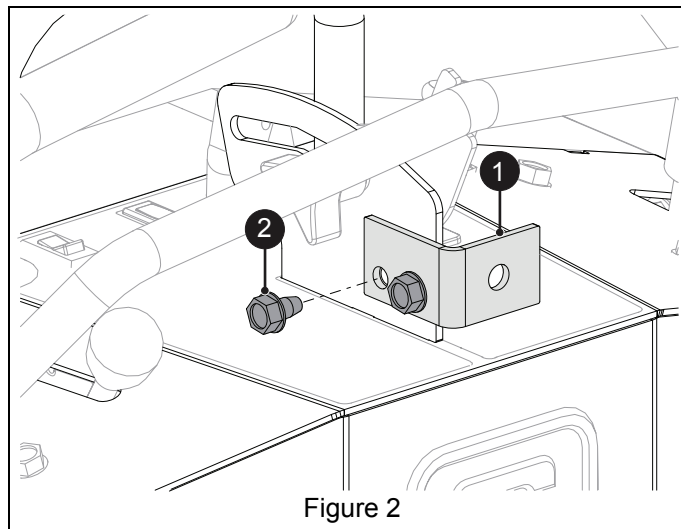


Figure 2

See Figure 3.

4. Securely crimp male terminal (item 5) and female terminal (item 6) to headlight wires:
 - connect male terminal to black wire
 - connect female terminal to red wire

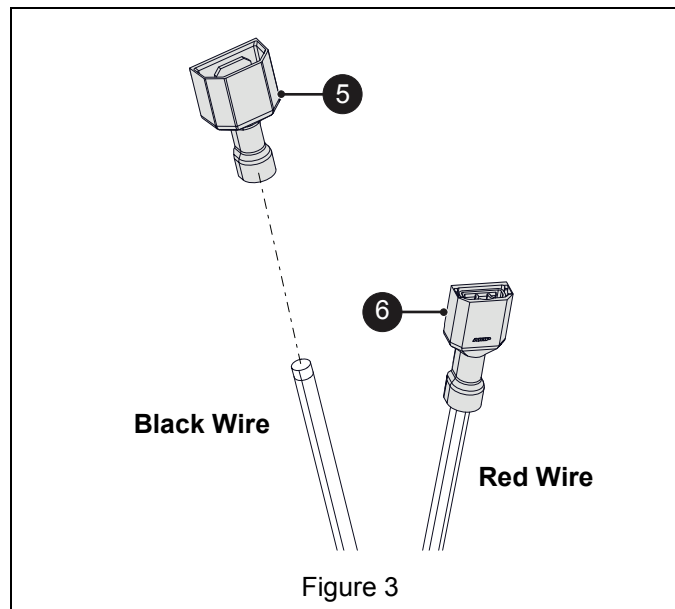


Figure 3

See Figure 4.

- Using a utility knife or other suitable tool, carefully trim an opening through decal to reveal hole in control panel.
- Route wires through hole in control panel.
- Secure headlight (item 3) to mounting bracket using included hardware.

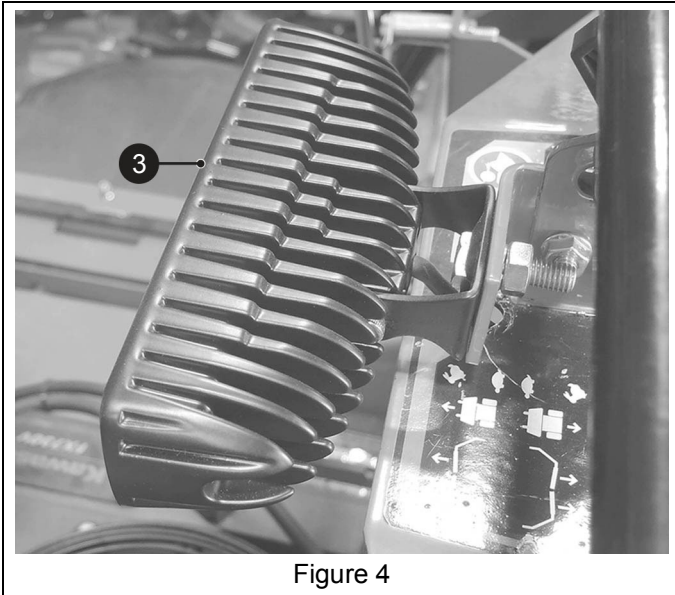


Figure 4

- Using a utility knife or other suitable tool, carefully trim an opening through decal to reveal switch hole, and install rocker switch (item 4). See Figure 5.

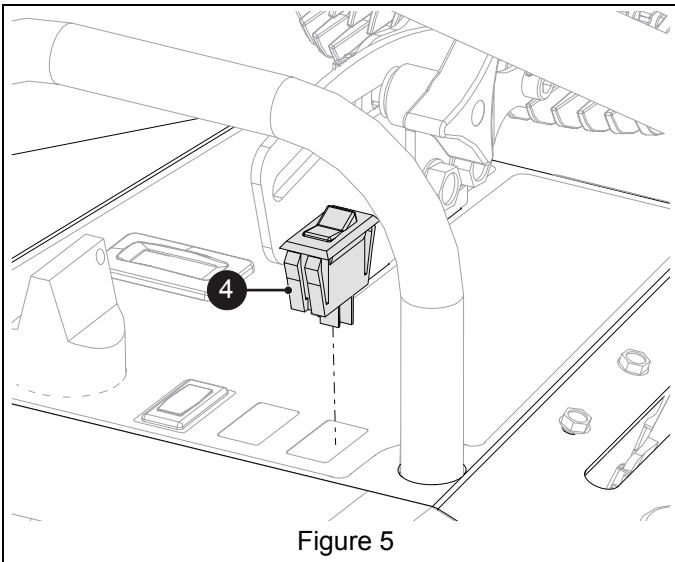


Figure 5

- Remove and retain operator pad. See Figure 6.

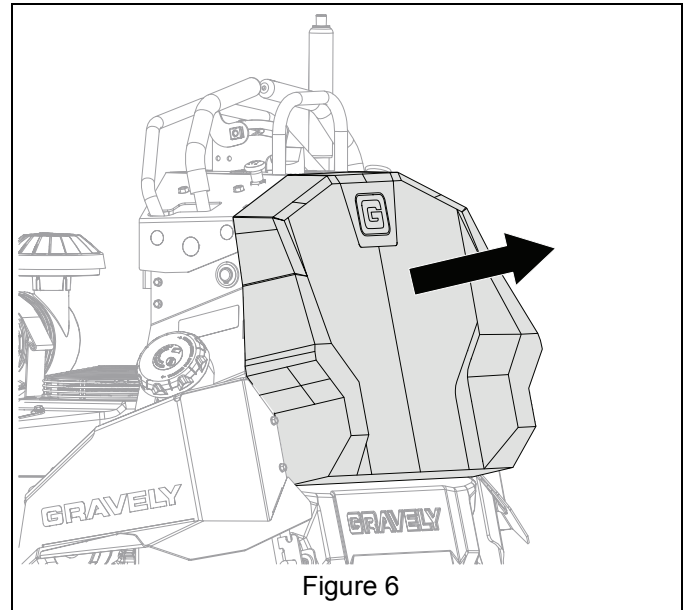


Figure 6

See Figure 7.

Connect:

- red headlight wire to rocker switch.
- purple harness wire to rocker switch.
- black headlight wire to black harness wire.

NOTICE: Headlight switch does not have polarity. Red and purple wires may be connected to either switch terminals.

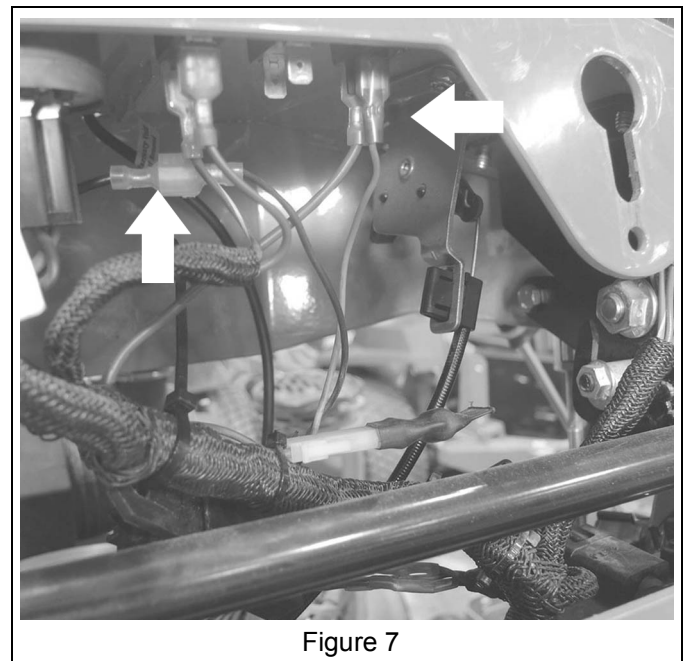


Figure 7

- Reconnect negative battery cable.
- Turn ignition key to on position and turn on headlight.
- Adjust headlight and tighten hardware.
- Turn off headlight and turn ignition key off.
- Reinstall operator pad.