

Instruction Sheet

Kit Number: 71514000

52 INCH MULCH KIT

WARNING: FAILURE TO FOLLOW INSTRUCTIONS could result in personal injury and/or damage to unit.
Read, understand, and follow all safety practices in Operator's Manual before beginning.

Package Contents

Check the contents of your kit for the parts listed below. Also see Figure 1.

Item	Description	Qty	AriensCo P/N
1	Universal Mulch Baffle	3	04775451
2	Center Mulch Baffle	1	04775351
3	18" Mulch Blade	3	04794400
4	5/16"-18 Center-Lock Flange Nut	8	06500840
5	Mulch Spacer Plate (52" Edge Models Only)	1	09156551

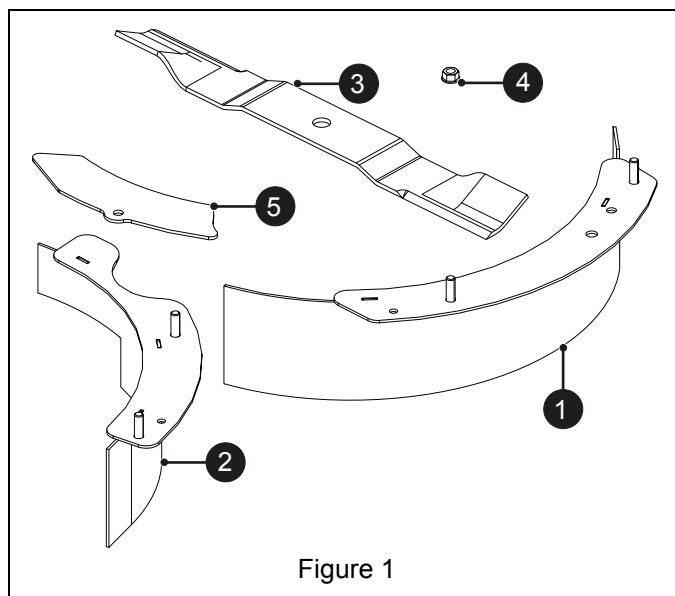


Figure 1

REMOVAL

CAUTION: On multi-blade mowers, rotation of one mower blade will cause all mower blades to rotate.

WARNING: Mower blades are sharp and can cut you. Wrap the blade(s) or wear gloves, and use extra caution when servicing.

1. Stop engine, remove key and engage parking brake. Wait for moving parts to stop and for hot parts to cool.
2. Disconnect spark plug wire

WARNING: ALWAYS chock wheels and know all jack stands are strong and secure and will hold weight of unit during maintenance.

3. Raise the front of the unit to gain access to the underside of the deck. Securely support the unit.

All models except 52" Edge:

4. Remove two 5/16" locking top flange nuts retaining discharge chute assembly and remove discharge chute. Retain all parts for operation without mulch kit. See Figure 2.

All Models Except 52" Edge

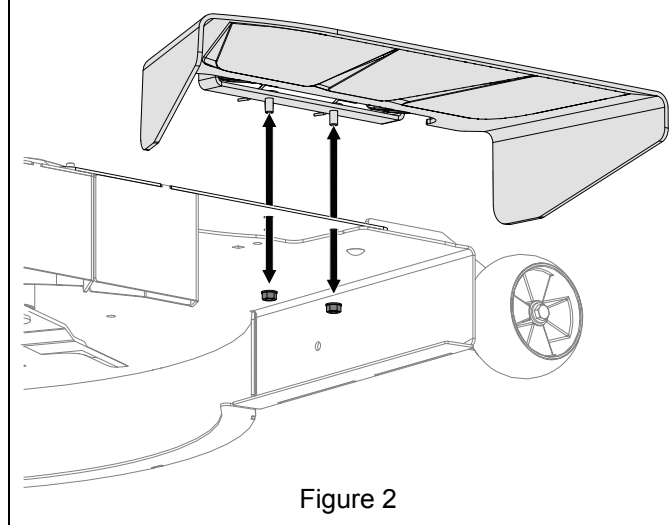
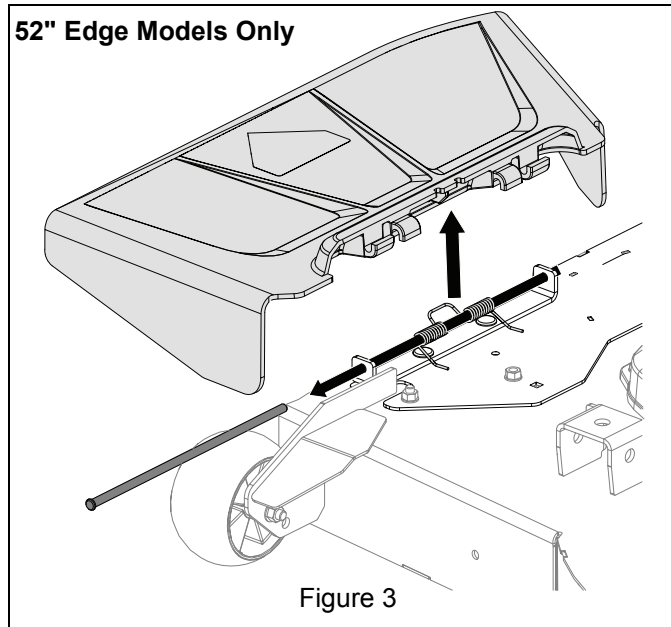


Figure 2

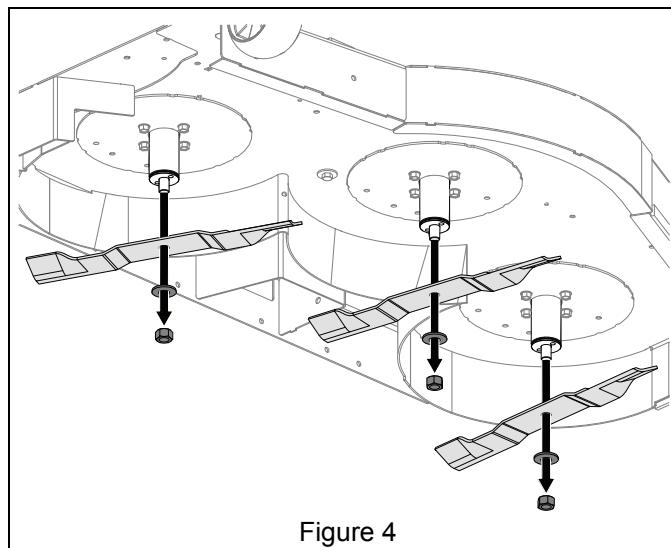
52" Edge Models Only:

5. Remove 10 1/2" pin and spring retaining discharge chute and remove discharge chute. DO NOT remove chute pivot bracket. Retain all parts for operation without mulch kit. See Figure 3.

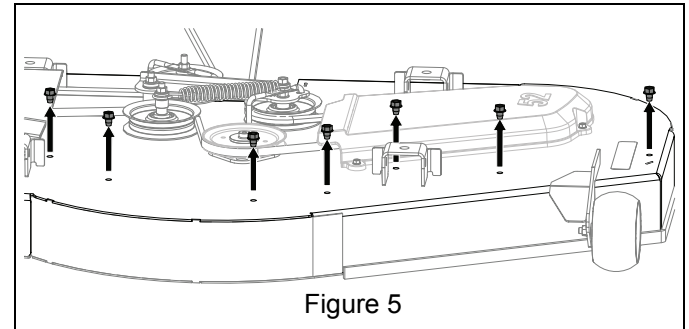


All Models:

6. Remove three 5/8" hex nuts and Belleville washers retaining blades and remove blades. Retain blades for operation without mulch kit. Retain nuts and washers for kit installation. See Figure 4.



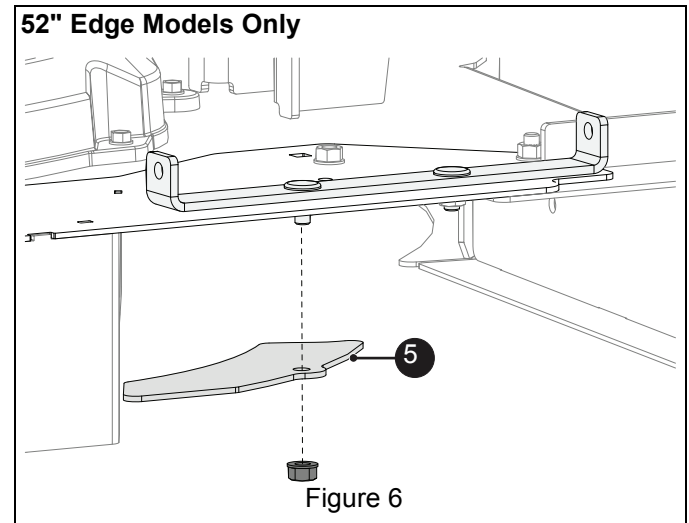
7. Remove eight 3/8" x 1/2" tapping screws from top of deck. Retain screws for operation without mulch kit. See Figure 5.



INSTALLATION

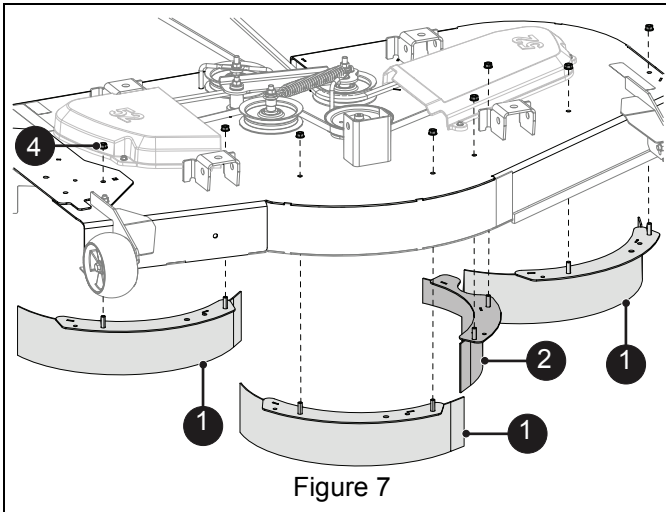
52" Edge Models Only:

1. Remove and retain 5/16" locking top flange nut from rear of discharge chute pivot bracket. Position mulch spacer plate (item 5) in discharge opening and secure with nut just removed. See Figure 6.

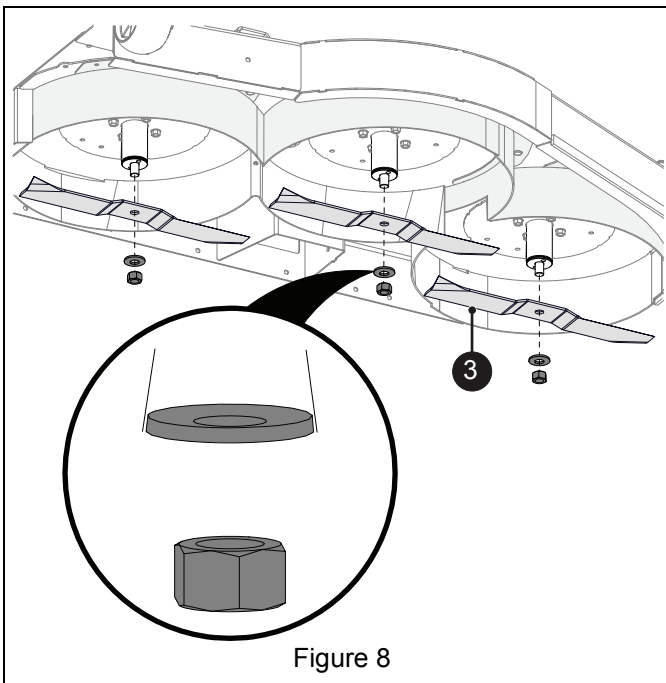


All Models:

2. Install three universal baffles (item 1) and one center baffle (item 2) and retain with eight 5/16" center-lock flange nuts (item 4). See Figure 7.



3. Install three mulch blades (item 3) with Belleville washers and hex nuts removed earlier. Ensure that cupped faces of washers face blades. Torque blade nuts to 136 N•m – 163 N•m (100 lb-ft – 120 lb-ft). See Figure 8.



4. Return unit to operating position
5. Reconnect spark plug wire.

MULCHING TIPS

1. Mow at full throttle.
2. Mow at half speed.
3. Mow dry grass only. Mowing wet grass causes clumping.
4. Keep mower blades sharp.
5. Cut no more than 2.5 cm (1") at a time. For tall grass, mow at a higher cutting height, then make a second or third pass with the deck set to the desired cutting height.
6. Clean the underside of deck after each mowing.
7. DO NOT wash mower with high-pressure sprayer when cleaning deck or mower.