

Instruction Sheet

Kit Number: 79403400

32" / 36" OPERATOR CONTROLLED DISCHARGE BAFFLE KIT



WARNING: FAILURE TO FOLLOW INSTRUCTIONS could result in personal injury and/or damage to unit.

Read, understand, and follow all safety practices in Operator's Manual before beginning.

Package Contents

Check the contents of your kit for the parts listed below. Also see Figure 1.

Item	Description	Qty	AriensCo P/N
1	Push/Pull Control Cable (Includes T-Handle, Clevis Pin and Cotter Pin)	1	06900625
2	Cable Mounting Bracket	1	09177553
3	Discharge Block-Off Assembly (See Figure 13 for individual parts)	1	N/A
4	5/16"-18 x 3/4" Wing Knob	2	07500008
5	Rubber Discharge Chute	1	09177300
6	3/8"-16 x 1 1/4" Round Head Square Neck Bolt	5	06200415
7	3/8"-16 Locking Center Flange Nut	7	06500901
8	3/8"-16 x 3/4" Round Head Square Neck Bolt	2	06200432
9	OCDB Mounting Bracket	1	09177053

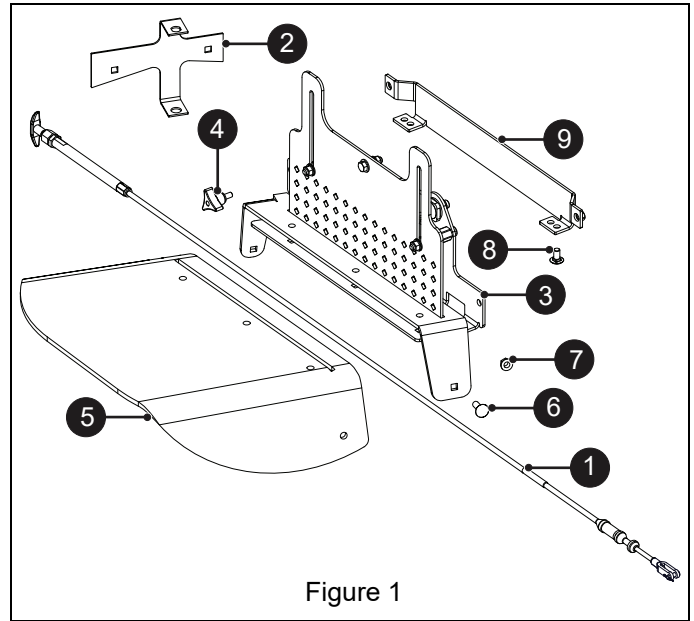


Figure 1

REMOVAL

1. Park unit on a flat, level surface and engage parking brake.
2. Stop engine, remove key and wait for all moving parts to stop and for hot parts to cool.
3. Remove three 5/16" x 3/4" round head square neck bolts and 5/16" locking top flange nuts retaining discharge chute assembly and remove discharge chute. Retain all parts for operation without OCDB kit. See Figure 2.

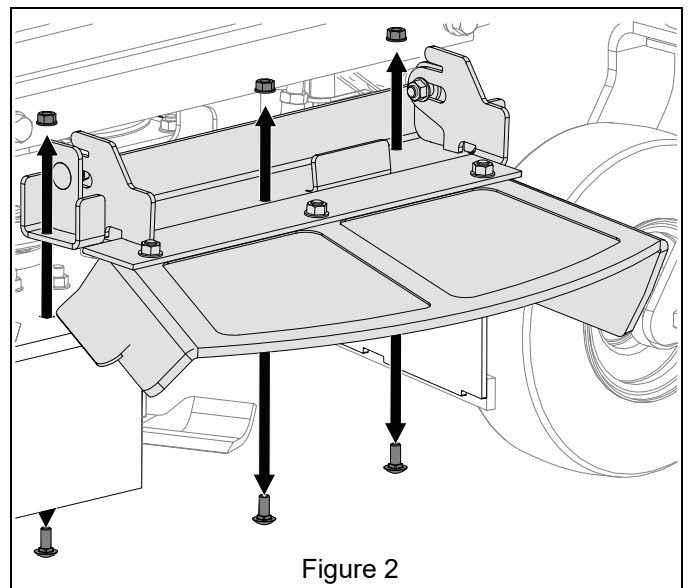
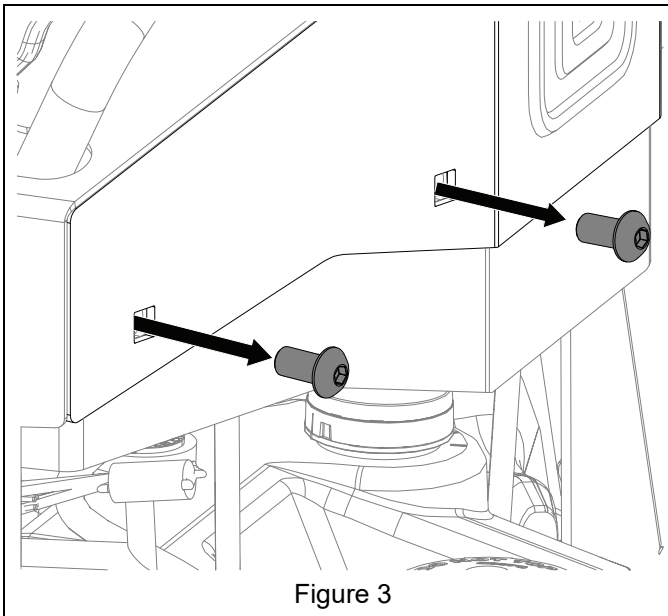


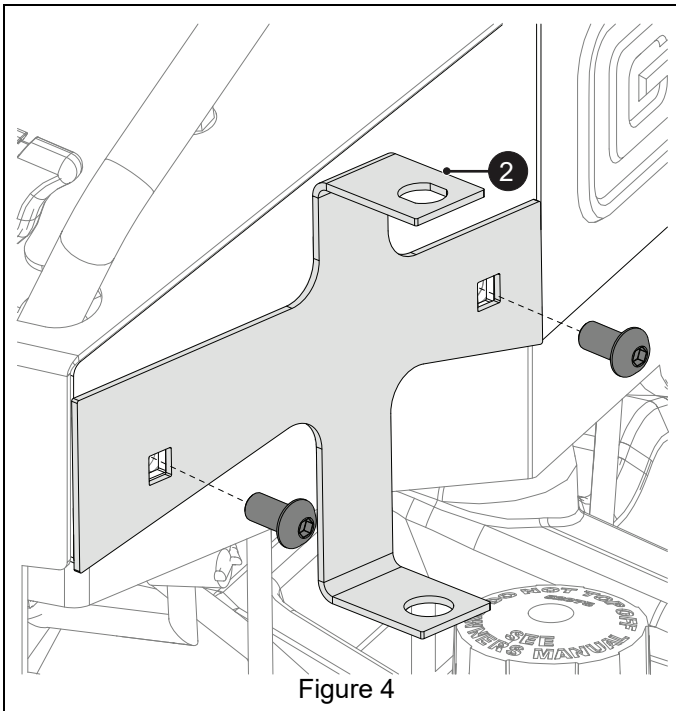
Figure 2

- Remove and retain two 3/4" button head screws from right-side front plate. See Figure 3.

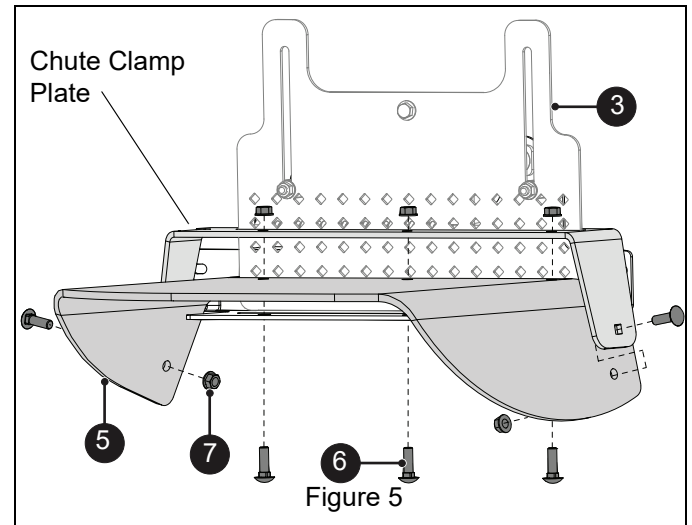


INSTALLATION

- Install cable mounting bracket (item 2) onto the front panel with button head screws just removed. See Figure 4.

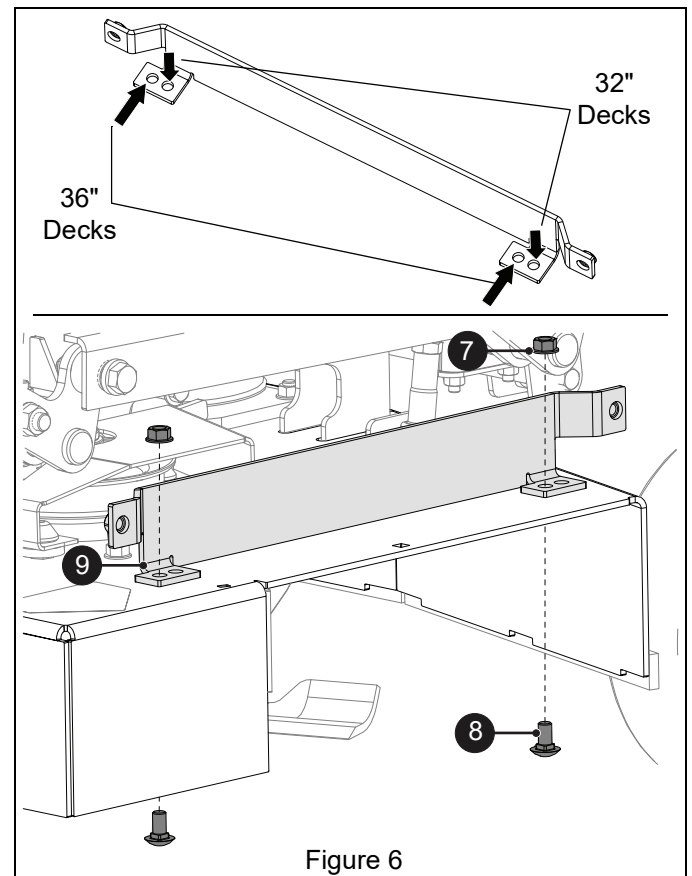


- Insert rubber discharge chute (item 5) between chute bracket and discharge block-off assembly (item 3). Bend back rubber tabs to allow chute slot to fit around block-off baffle. Secure clamp plate and chute to assembly with five 3/8" x 1 1/4" round head square neck bolts (item 6) and five 3/8" locking center flange nuts (item 7). See Figure 5.



See Figure 6.

- Determine mounting holes to use based on deck size and attach mounting bracket (item 9) with two 3/8" x 3/4" round head square neck bolts (item 8), and two 3/8" locking center flange nuts (item 7).



4. Install discharge baffle assembly (item 3) and secure with two wing knobs (item 4). See Figure 7.

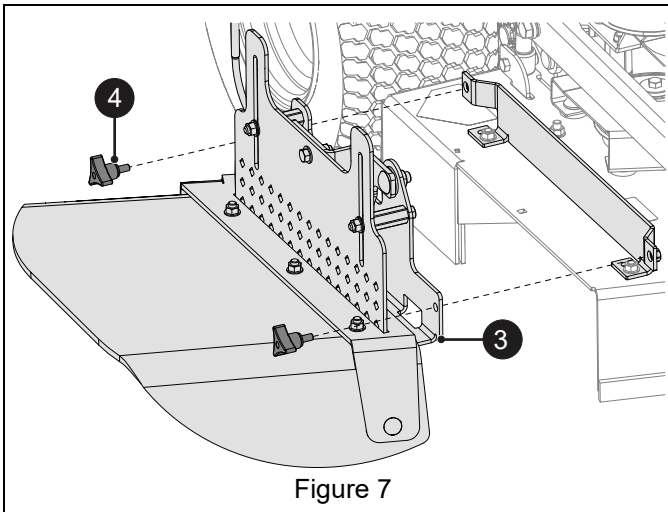


Figure 7

See Figure 8.

5. Remove and retain cotter pin from clevis pin and remove clevis pin from cable end.
6. Position cable (item 1) between block-off baffle plate and chute control plate.
7. Secure cable end to cam bracket with clevis pin and cotter pin. Bend cotter pin ends.

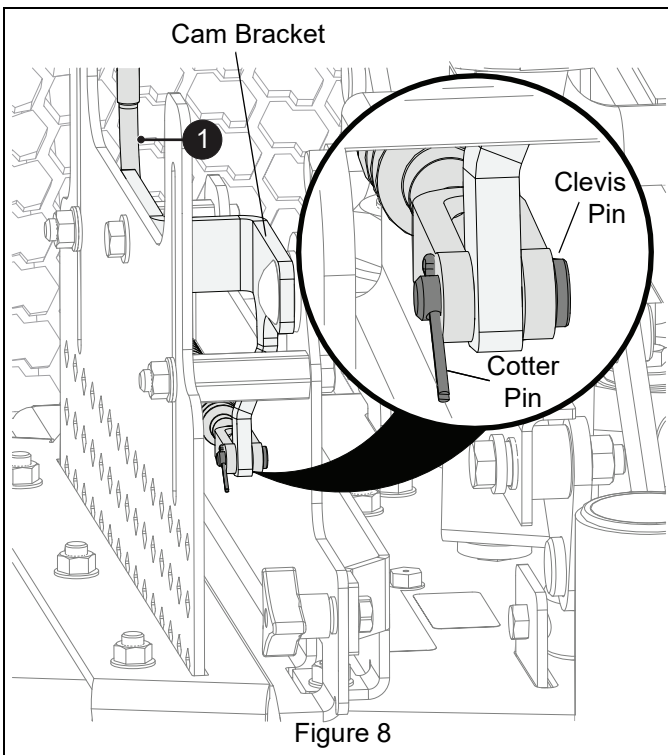
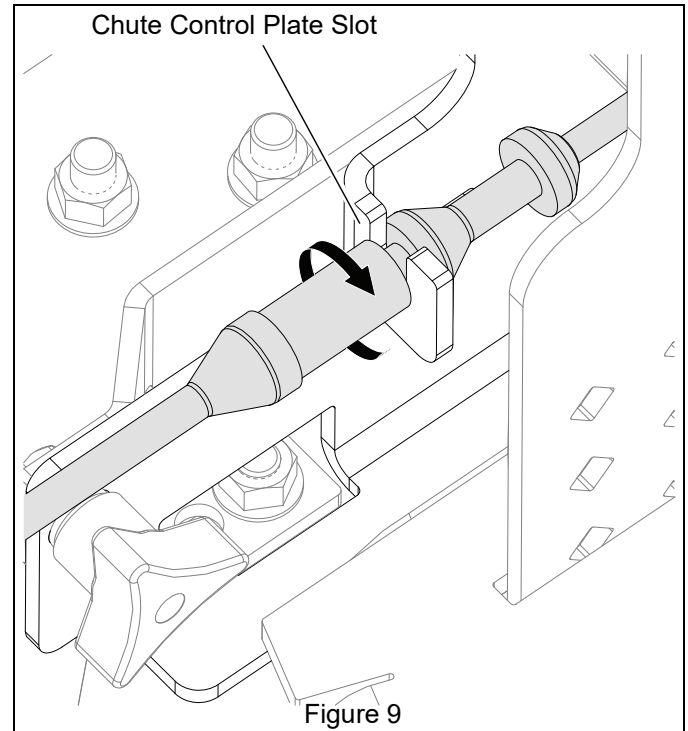


Figure 8

See Figure 9.

8. Position cable with jam nuts on either side of the control plate slot.
9. Unlock cable and extend and retract cable to ensure block-off baffle plate lifts and lowers.
10. Tighten jam nuts against the chute control plate slot.



See Figure 10.

11. Remove upper nut and lower jam nut from upper cable end.
12. Insert cable end through hole in cable bracket.
13. Reinstall lower jam nut onto cable.

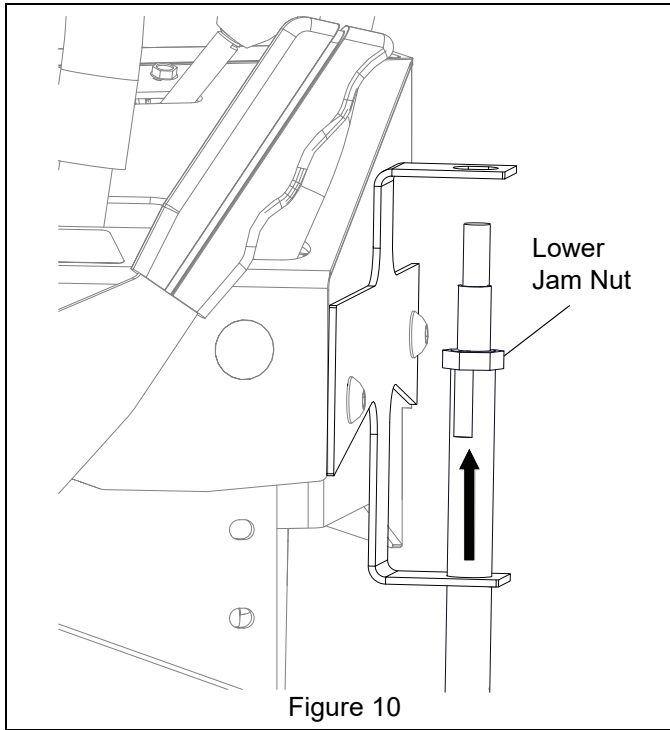


Figure 10

See Figure 11.

NOTICE: Flats on cable end mate with slotted hole in bracket.

14. Insert cable end through slotted hole in cable bracket.
15. Reinstall upper nut onto cable end and tighten until snug.
16. Tighten lower jam nut against bracket.

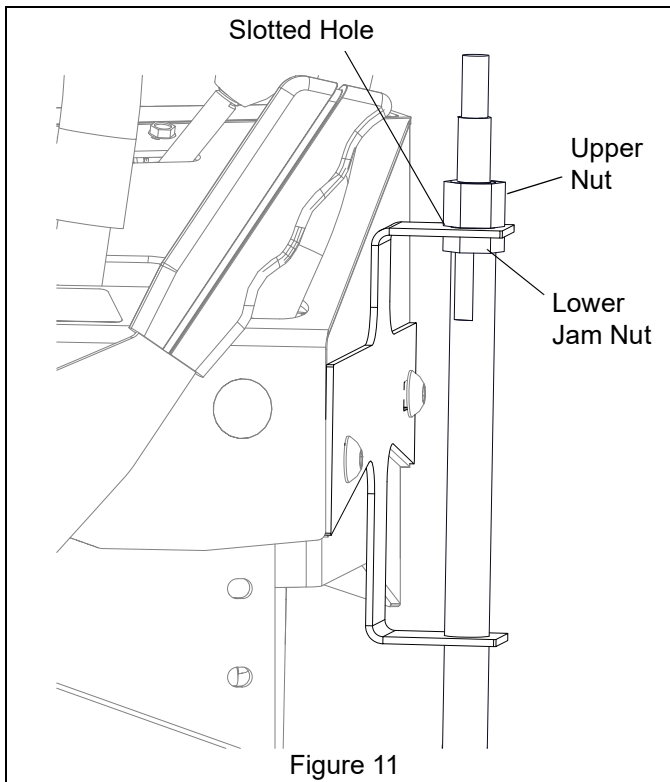


Figure 11

See Figure 12.

17. Install T-handle onto cable end and secure with T-handle mounting screw.

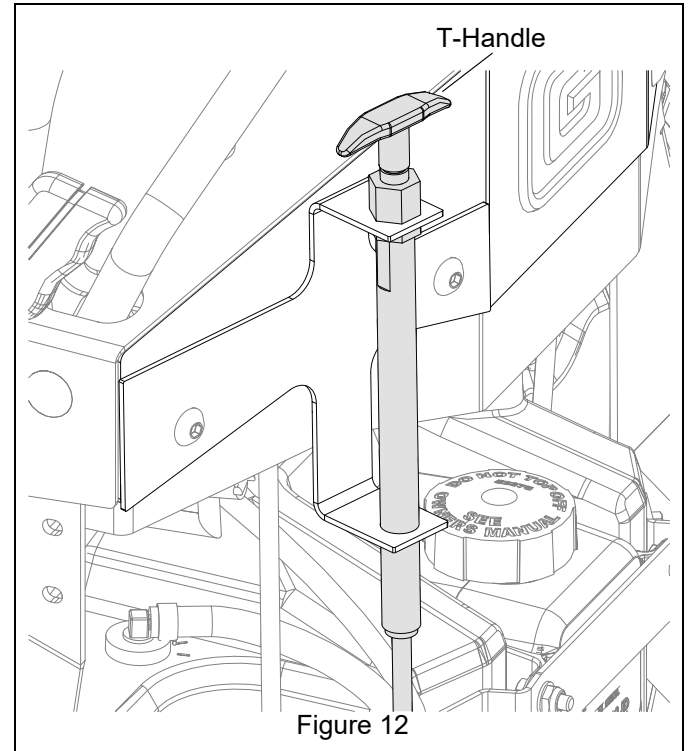


Figure 12

OPERATION

1. Unlock T-handle by rotating to center of clockwise / counterclockwise (CW / CCW) range of travel. Baffle plate will drop freely to lowest position.

NOTICE: Cable may remain unlocked when baffle plate is in lowest position.

2. Pull T-handle out to raise baffle plate.
3. Turn T-handle fully CW or CCW to lock baffle plate position.

IMPORTANT: DO NOT pull T-handle when cable is locked (turned CW / CCW fully) or cable damage will result.

SERVICE PARTS

See Figure 13.

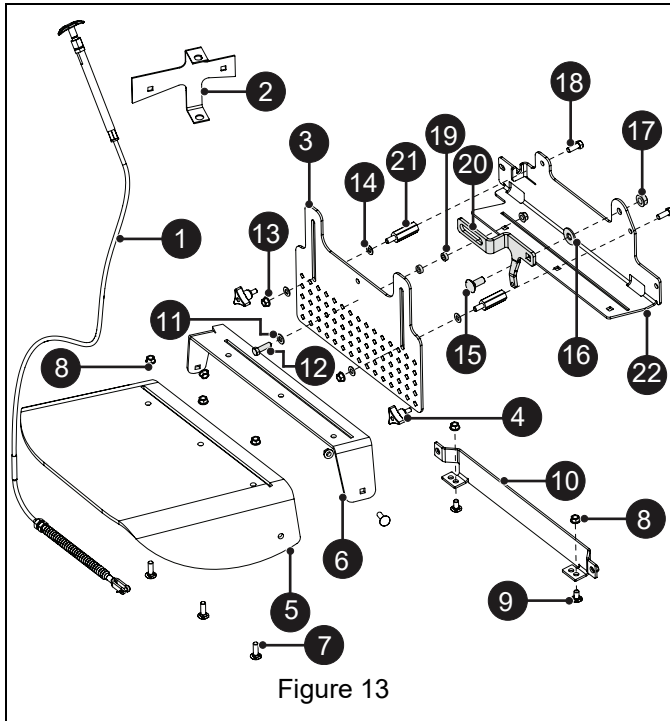


Figure 13

Item	Description	Qty	Ariens P/N
1	Push/Pull Control Cable (Includes T-Handle, Clevis Pin and Cotter Pin)	1	06900625
2	Cable Mounting Bracket	1	09177553
3	Discharge Block-Off Baffle	1	09177253
4	5/16"-18 x 3/4" Wing Knob	2	07500008
5	Rubber Discharge Chute	1	09177300
6	Chute Mounting Support Bracket	1	09177451
7	3/8"-16 x 1 1/4" Round Head Square Neck Bolt	5	06200415
8	3/8"-16 Locking Center Flange Nut	8	06500901
9	3/8"-16 x 3/4" Round Head Square Neck Bolt	2	06200432
10	OCDB Mounting Bracket	1	09177053
11	13/32" x 13/16" Flat Washer	1	06401013
12	3/8"-16 x 1 1/4" Hex Bolt	1	05901724
13	3/8" Center Lock Flange Nut	2	06500901
14	3/8" x 3/4" Flat Nylon Washer	4	06433600
15	1/2"-13 x 1/14" Round Head Square Neck Bolt	1	06200325
16	9/16" x 1 3/8" Flat Washer	1	06401012
17	1/2"-13 Center Locking Flange Nut	1	06500902
18	3/8"-16 x 1" Hex Bolt	2	05901711
19	Sleeve Bushing	2	05508900
20	Lift Cam Bracket	1	04822851
21	Baffle Slide Pin	1	04261400
22	Chute Mounting Bracket	1	09177153